

Revolution SVR Wing Series Assembly Instructions



Before you begin

FOR QUICK & EASY
3D ASSEMBLY
INSTRUCTIONS

Step 1: Search for BILT Instructions and download the free BILT app.

Step 2: Once in the BILT app, search your Killerspin table model in the BILT app search bar.

Step 3: Begin easy assembly of this product using the BILT 3D-guided interactive instructions.

BILT[®]
Intelligent Instructions



Revolution SVR Wing Series

TABLE MODEL

Safety

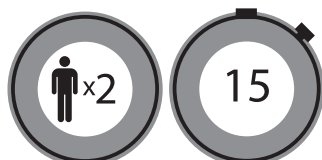
1. Do not stand or sit on the table.
2. The table is heavy. Assembly requires two adults. Follow all assembly instructions carefully.
3. Make sure to position the table in an area where there is sufficient space to play so players will not be harmed by surrounding objects while playing.
4. Children's use should be properly supervised.

Maintenance

1. The table is designed for indoor use only and should be kept in a ventilated space away from: direct sunlight, extensive humidity, high temperatures, corrosive environments, and rain.
2. Proper care and maintenance of your table's surface is required for long term performance. Over time, your table's playing surface can build up layers of dirt and grime. You can protect your investment with the Killerspin table tennis surface cleaner - MyT Clean.
3. MyT Clean helps maintain superior conditions for optimal play. It removes the dust, dirt, grease and fingerprints that can build up and make your table look worn. Keep your table tennis surface clean for the best bounce, and maximum shot control.

Tools

TOOL FREE ASSEMBLY 



People Average Time
minute

Revolution SVR Wing Series

TABLE MODEL

Part List

1. Lay the boxes on a smooth, clean surface.
2. Open the lid and check to make sure you have all the parts:

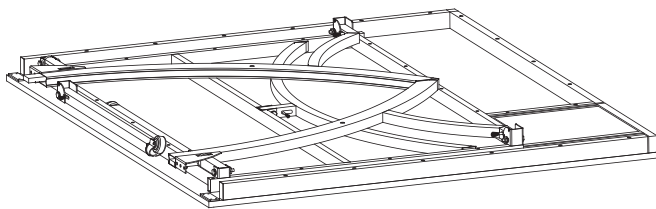
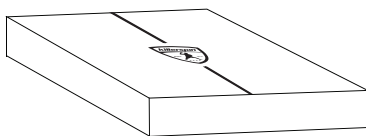


Table Top x2



Levelers x4



Net-post Set x1



Net Cap Set x1

Revolution SVR Wing Series

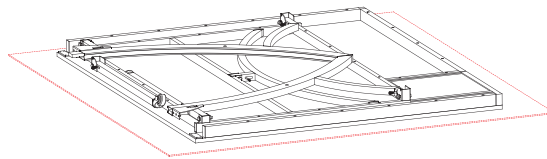
TABLE MODEL

Assembly

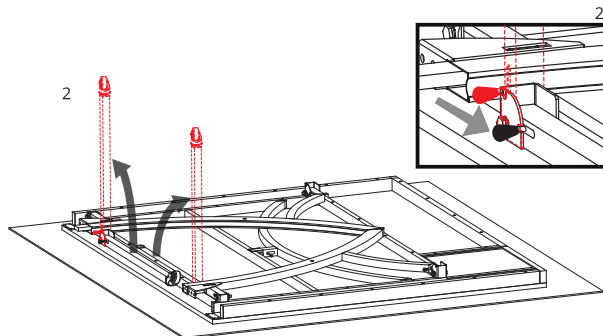
Please read carefully.
Assembly requires two adults.



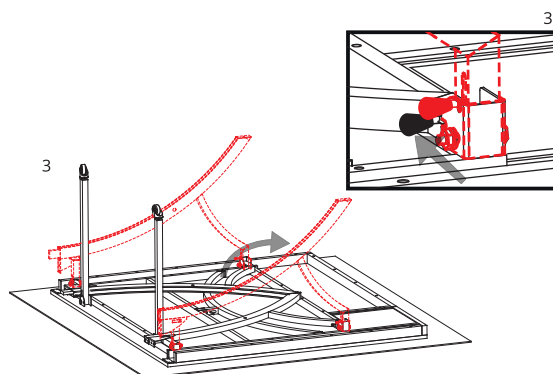
1. The table top has 2 pieces. Please put each piece of the table top facing down on a clean and flat carton. Please make sure that the carton surface is clean to avoid abrasion during assembling.



2. Pull on the supporting leg knob (picture #2a) to unfold the supporting leg (picture #2) Push up until you hear click to make sure the leg is securely positioned. Repeat steps to unlock the second supporting leg.



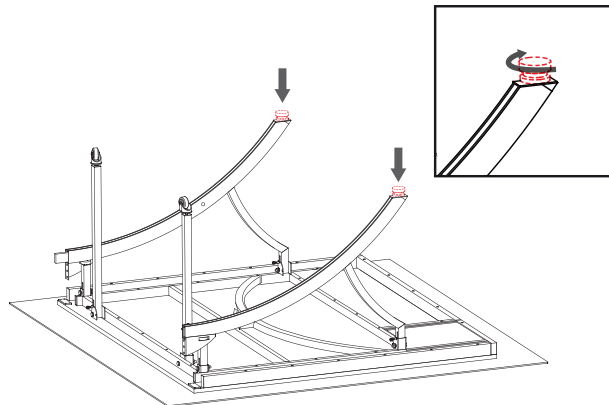
3. Pull on the arch-shaped leg knob (picture #3a) to unfold (picture #3). Push up until you hear click to make sure the arch-shaped leg is securely positioned. Repeat steps to unlock and set up the other arch-shaped leg.



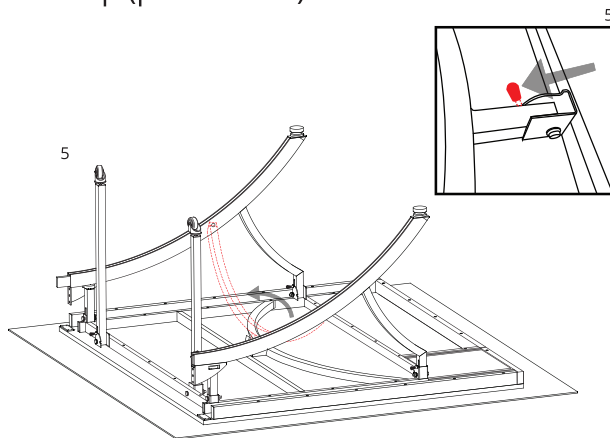
Revolution SVR Wing Series

TABLE MODEL

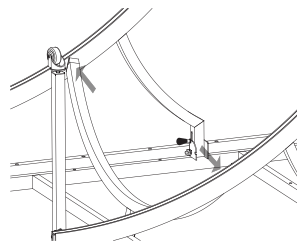
4. Screw the black adjustable levelers at the end of both arch-shaped legs as shown on pictures.



5. Pull up the supporting arch in between the side legs by opening the safety pin with red cap (picture #5a)



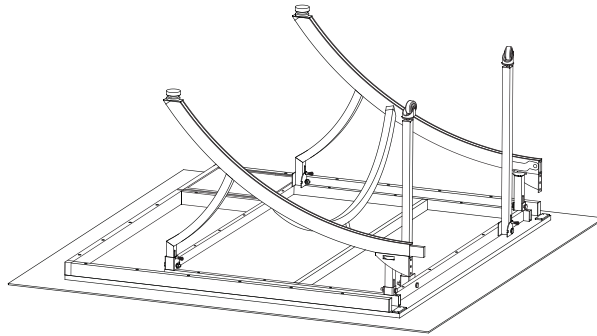
6. Push the supporting arch on to the bolts on the inside of the arch-shaped legs to lock the arch-shaped legs.



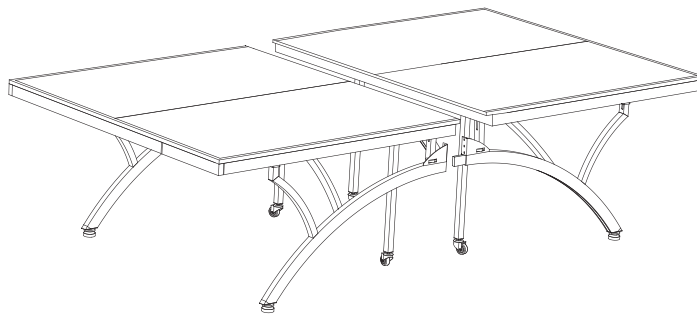
Revolution SVR Wing Series

TABLE MODEL

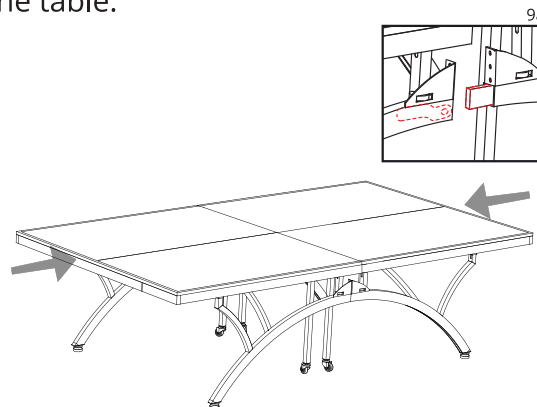
7. Repeat the steps 1-6 for the second half of the table.



8. Turn over both pieces of the table one by one and make sure that the table is standing on its legs.



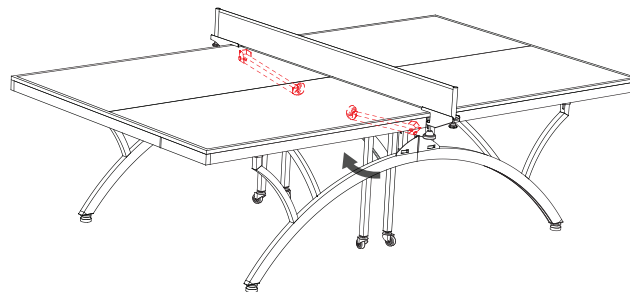
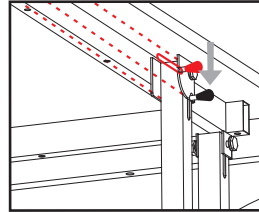
9. To connect the two table halves, move the two tables tightly together, press handle (picture #9a), which is located underneath the table top by the inside of the arch-leg, towards metal frame to unlock the safety pin and release/retract the handle to lock the table bases. Repeat on the opposite side of the table.



Revolution SVR Wing Series

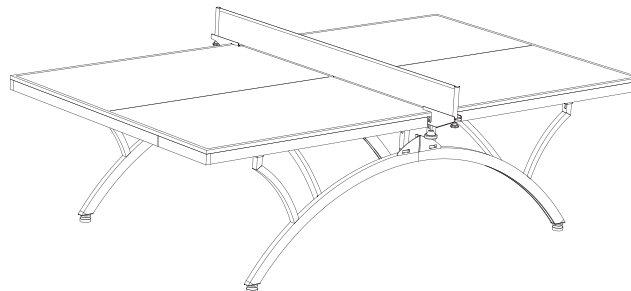
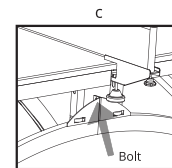
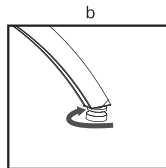
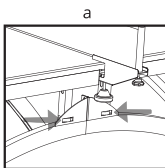
TABLE MODEL

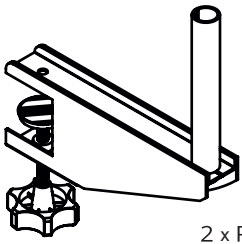
10. After confirming the two table halves are locked together, retract the supporting legs. To do this, pull on the supporting leg knob and retract the supporting leg until it is in the undercarriage. Repeat for the opposite side of the table.



Adjustments

1. To level the table tops, place water leveler on the table top and move leveling wheels (picture #a) accordingly as well as the leg adjustable levelers if needed (picture #b) If there is a gap between table tops, tighten or loosen bolt located behind the leveling wheels at the connecting point of the two table basses (picture #c)





2 x Posts



2 x Inner Tubes



2 x Metal Rods



4 x Tube Caps



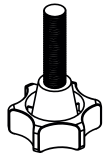
1 Net



2 x Metal Bead Chains

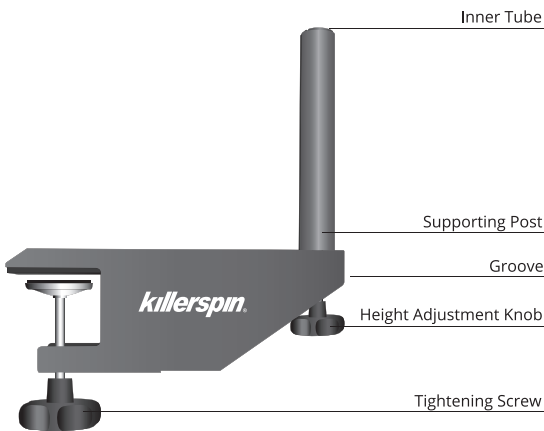


1 Net-height gauge

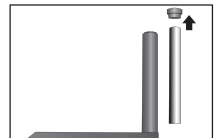


2 x Height Adjustment Knob

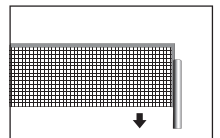
HOW TO INSTALL



1 Remove the inner tube from the supporting post. Detach the plastic cap from one end of the inner tube and remove the metal rod.



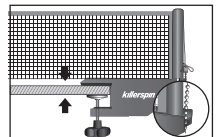
2 Thread the metal rod through the sleeve on the end of the net and slide into gap on the inner tube. Replace the plastic cap. Insert the inner tube into the supporting post - repeat process for the other side.



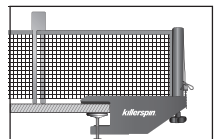
3 Fasten posts to each side of the table, one at a time. Once one side is screwed tight, gradually fasten the other post and tighten by angling the post onto the table.



4 Attach metal beads to each side of the net cord and insert beads into groove on post to gain tension on the top edge of the net.



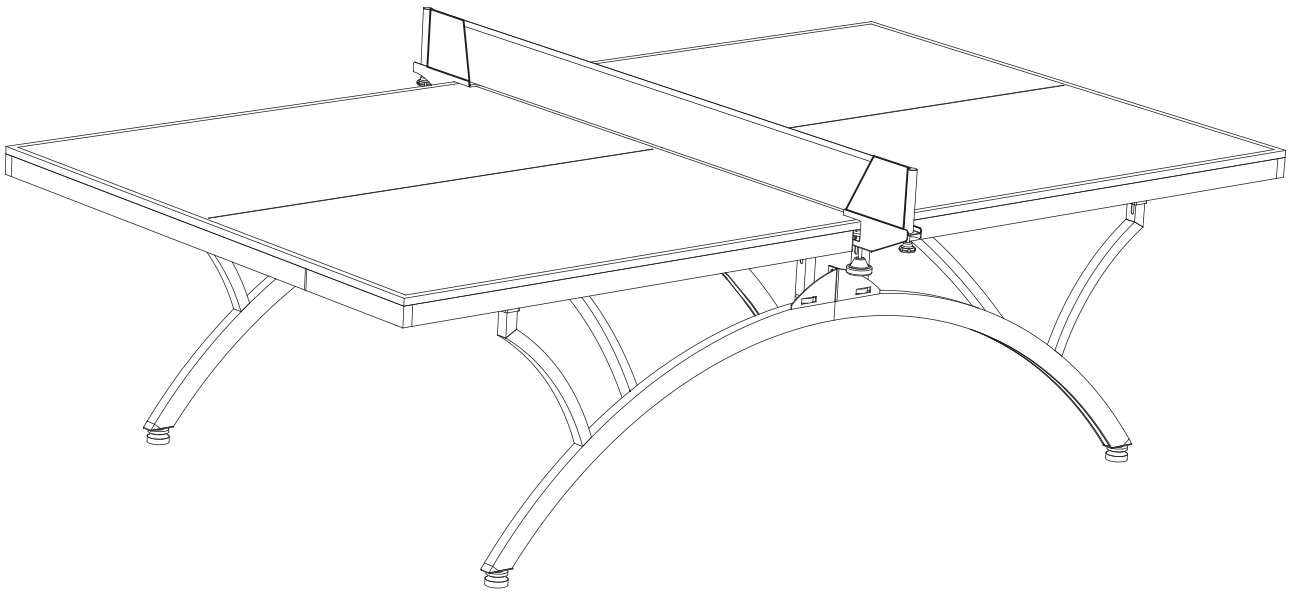
5 If necessary, use the height adjustment knob to raise or lower the net height to the desired level (a net-height gauge is included.)



•After the Net Set assembly is completed, attach the Net Caps according to the instructions included in the Net Cap Box.

CONGRATULATIONS!

This completes the assembly of the Killerspin Revolution SVR



Revolution SVR Wing Series

TABLE MODEL

Dimensions

Length: 9 ft (274 cm)
Width: 5 ft (152.5 cm)
Height: 2 ft 6 in (76 cm)
Table Top: 0.7" (18 mm)

Package

Box Dimensions: 1650 x 1460 x 240 mm
Table Weight: 105 kg
Box Weight: 30 kg
Total Weight: 135 kg



Designed by Killerspin in Chicago

Killerspin LLC
33 W. Monroe Street
Suite 1050
Chicago, IL 60603

www.killerspin.com

killerspin  concierge:
1-866-577-5291