

**Revolution SVR  
Drawer Series  
Assembly  
Instructions**



Before you begin

FOR QUICK & EASY  
3D ASSEMBLY  
INSTRUCTIONS

Step 1: Search for BILT Instructions and download the free BILT app.

Step 2: Once in the BILT app, search your Killerspin table model in the BILT app search bar.

Step 3: Begin easy assembly of this product using the BILT 3D-guided interactive instructions.

**BILT**<sup>®</sup>  
Intelligent Instructions



# Revolution SVR Drawer Series

## TABLE MODEL

### Safety

1. Do not stand or sit on the table.
2. The table is heavy. Assembly requires two adults. Follow all assembly instructions carefully.
3. Make sure to position the table in an area where there is sufficient space to play so players will not be harmed by surrounding objects while playing.
4. Remember to pull down the supporting legs before unlocking the table halves and moving them.
5. Children's use should be properly supervised.

### Maintenance

1. The table is designed for indoor use only and should be kept in a ventilated space away from: direct sunlight, extensive humidity, high temperatures, corrosive environments, and rain.
2. Proper care and maintenance of your table's surface is required for long term performance. Over time, your table's playing surface can build up layers of dirt and grime. You can protect your investment with the Killerspin table tennis surface cleaner - MyT Clean.
3. MyT Clean helps maintain superior conditions for optimal play. It removes the dust, dirt, grease and fingerprints that can build up and make your table look worn. Keep your table tennis surface clean for the best bounce, and maximum shot control.

### Tools



Tape Measure



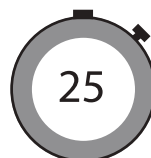
Level



Combination Wrench  
#10 & #13



Allen Wrench



2 People Average Time  
25 minute

# Revolution SVR Drawer Series

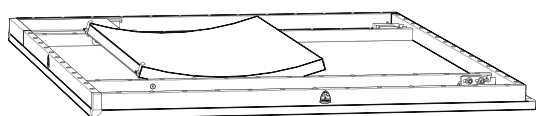
## TABLE MODEL

### Prepare

1. Lay the boxes on a smooth, clean surface.
2. Open the lid and check to make sure you have all the parts:

#### a. Box #1

Table Top x2



Foot Screw x4



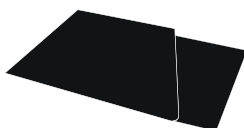
Supporting Board x2



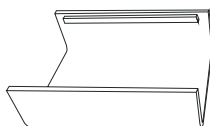
Retaining Screw x4



Net Cap Set x1



Base Cap x2

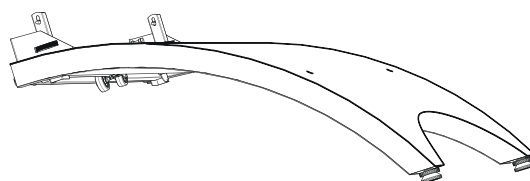


Net-post Set x1



#### b. Box #2

Undercarriage x2





# Revolution SVR Drawer Series

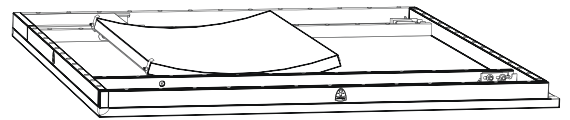
## TABLE MODEL

### Assembly

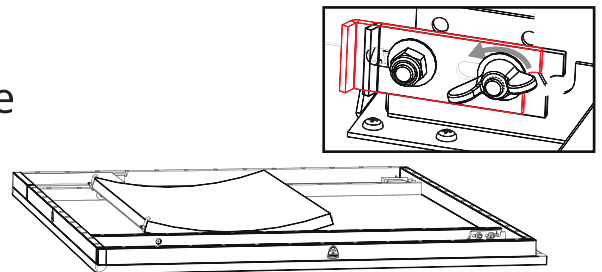
Please read carefully.  
Assembly requires two adults.



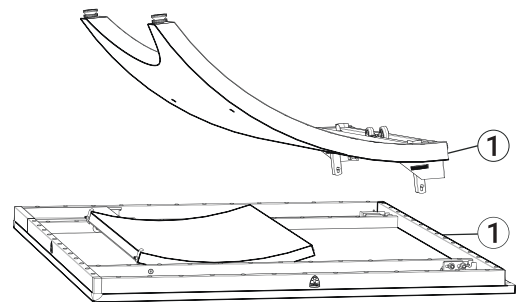
1. Using 2 people, remove (2) Table Tops from the box and place them upside down onto a blanket or piece of cardboard, free of any debris, so you do not scratch the playing surfaces.



2. Loosen the (4) Wing Nuts on the Table Top Locking Brackets, then slide the brackets back so the notches are open.



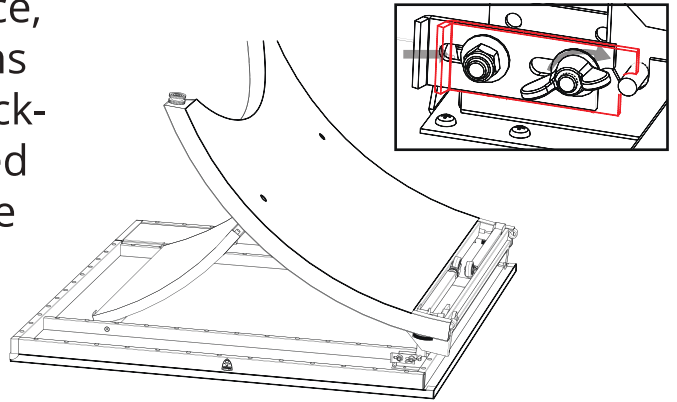
3. Before attaching the Undercarriage in the following steps, be sure you are matching the correct parts. An Undercarriage will be attached to a Table Top with a matching number. The other Undercarriage will be attached to the other Table Top with a matching number. Continue to the next step once you have found the matching parts.



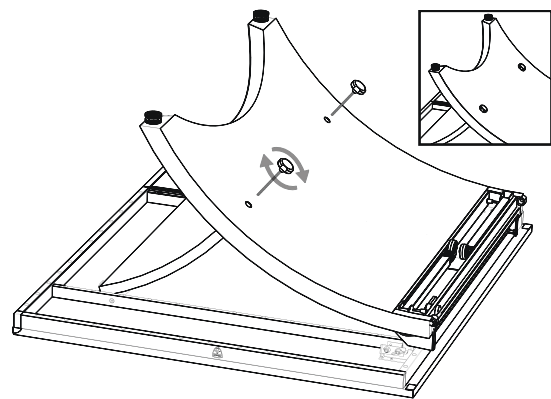
# Revolution SVR Drawer Series

## TABLE MODEL

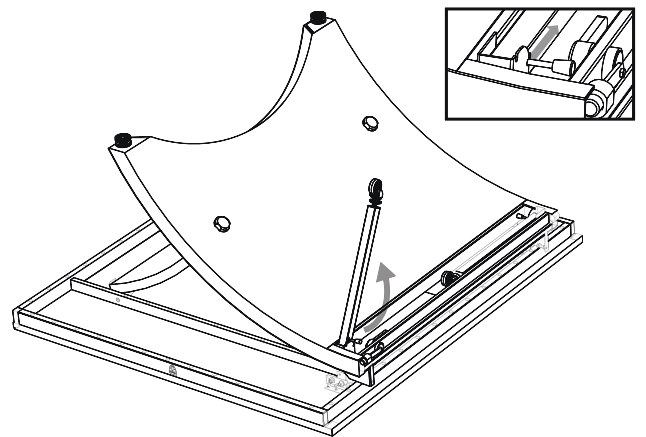
4. Holding the Undercarriage in place, rest the pins on the Supporting Arms in the notches on the Table top brackets. Slide the Locking Brackets closed on both sides, then hand tighten the Wing Nuts. Repeat this step on the other half of the assembly.



5. Lift the Support Board, then insert the two tabs into the holes in the Undercarriage. Repeat this step on the other half of the assembly. Attach the Undercarriage to the Support Board using (2) Retaining Screws. Repeat this steps on the other half of the assembly.



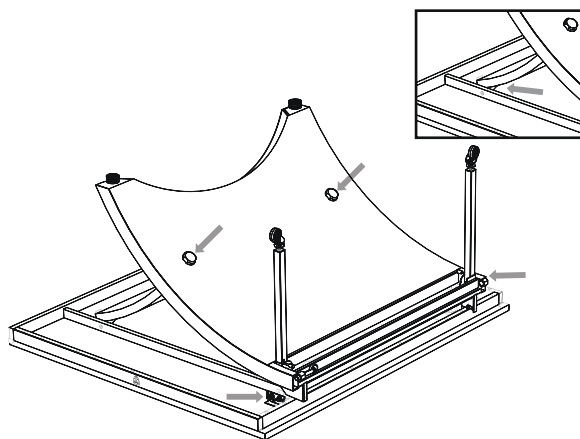
6. Pull the Hand Knobs on the Support Braces to unlock them, then lift the braces until they lock into the vertical position. Repeat this step on the other half of the assembly.



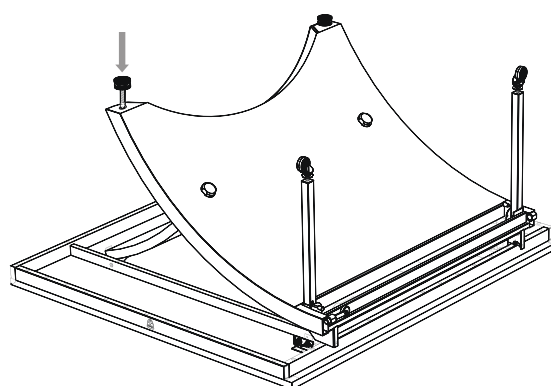
# Revolution SVR Drawer Series

## TABLE MODEL

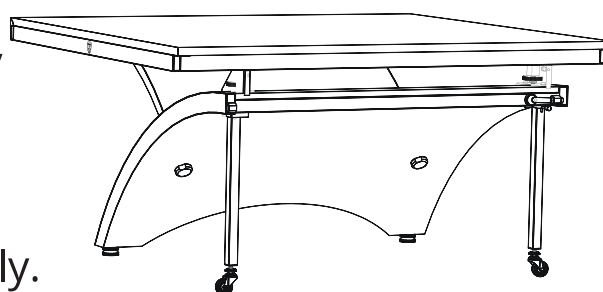
7. Check that the Wing Nuts and Retaining Screws are tight. Repeat this step on the other half of the assembly. Check that the nuts in these locations are tight.



8. Screw (2) Foot Screws onto the legs of the Undercarriage. Repeat this step on the other half of the assembly.



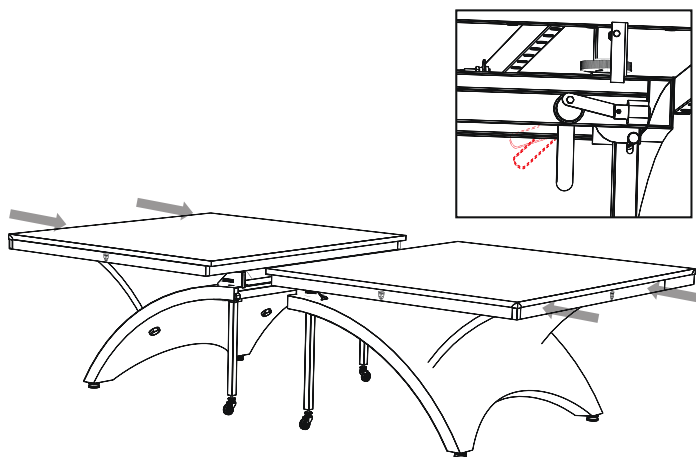
9. With two people, flip the assembly over, being careful not to bend the Supporting Braces, then remove the blanket or cardboard. Repeat this step on the other half of the assembly.



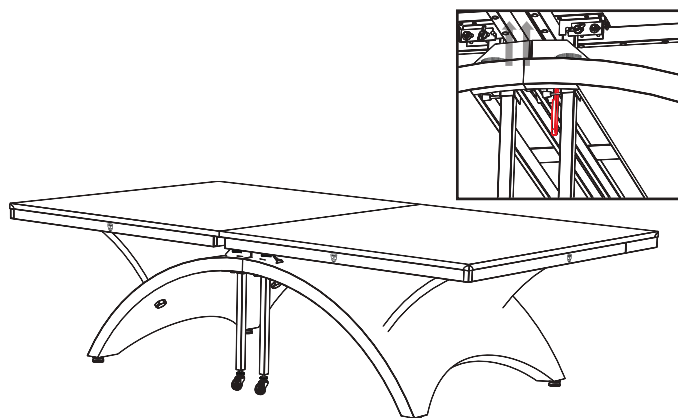
# Revolution SVR Drawer Series

## TABLE MODEL

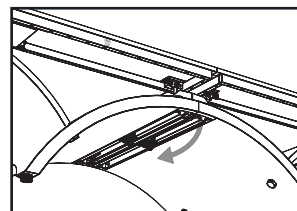
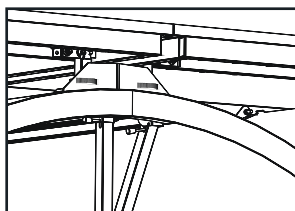
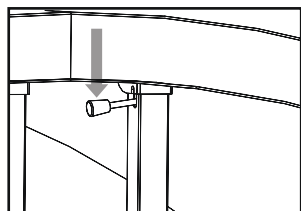
10. Retract the Linking Bolt by pulling down on the Linking Bolt Lever. Repeat this step on the other half of the assembly. Carefully bring the two halves together, making sure the Linking Bolts are aligned with the holes on the opposite side.



11. Push both Linking Bolt Levers up to attach the two tables. You may need to lift or adjust the two sides slightly in order for the Linking Bolts to fully engage.



12. Pull the Knobs on the Support Braces to unlock them, then lift the braces until they lock into the horizontal position.



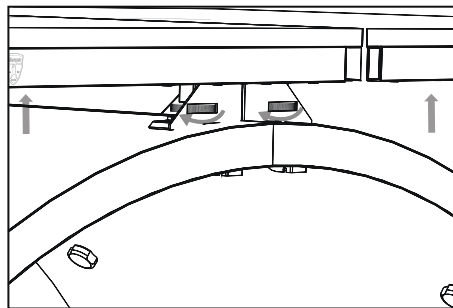
# Revolution SVR Drawer Series

## TABLE MODEL

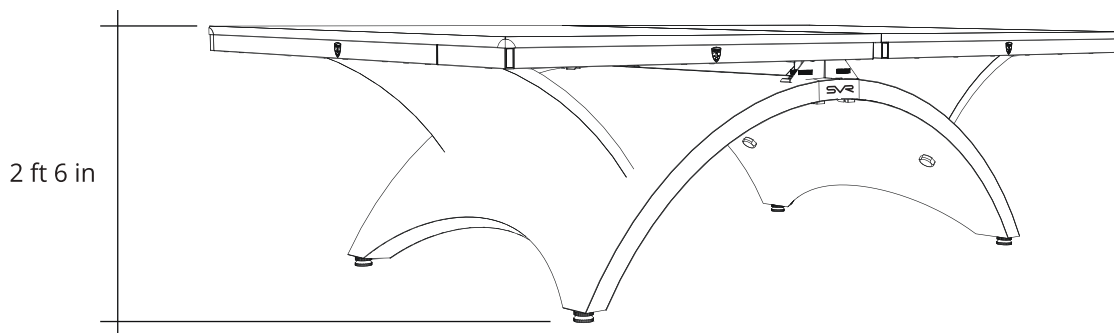
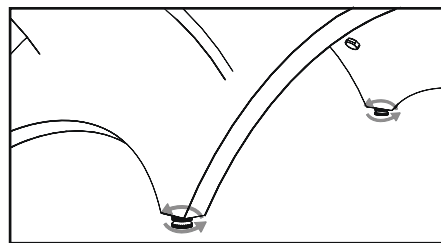
### Adjustments

#### TABLE TOP AND HEIGHT ADJUSTMENTS

1. Lift the Table Top while turning the height adjustment knob clockwise to raise the Table Top until it is even with the other side. Raise the other side of the same Table Top you adjusted in the previous step until it is even with the other Table Top.



2. Adjust the (4) Foot Screws until the table is level. The recommended height for the Table is 2 feet and 6 inches from the ground. Screw the Foot Nuts up to lock the feet into place.



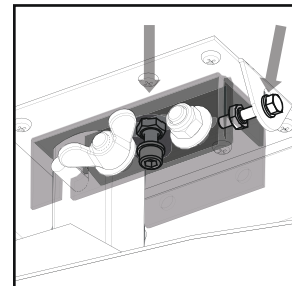
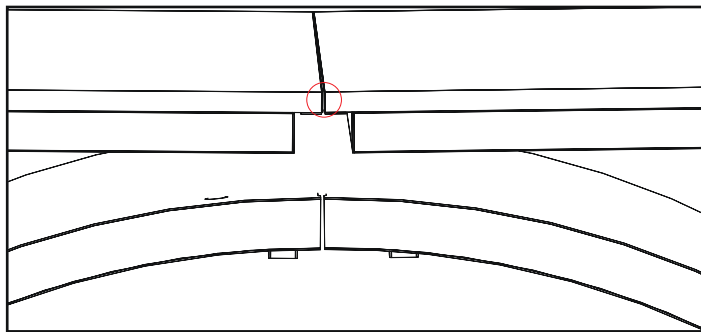
# Revolution SVR Drawer Series

## TABLE MODEL

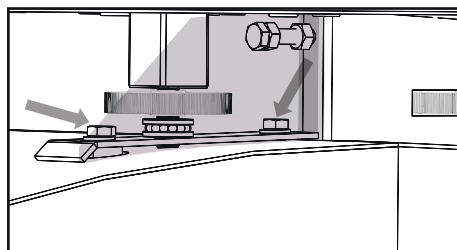
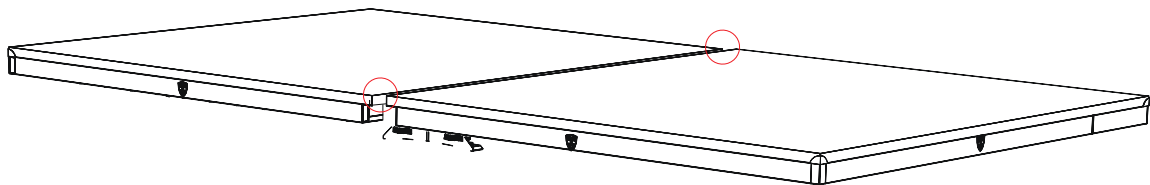
### Adjustments

#### ADDITIONAL TABLE ADJUSTMENTS

1. The following step will show you how to adjust your Table if the gap is uneven. Loosen the bolt on the Table Top Locking Bracket by adjusting the Table Top Fine Tune Bolt. Repeat this step on the other side of the Table Top.



2. The following step will show you how to adjust your Table if the horizontal alignment is off. Loosen the Bolts of the Undercarriage Brackets on both sides of an Undercarriage, then push or pull that side of the Table until two sides are aligned. Re-tighten the Bolts once the two sides of the Table are aligned.



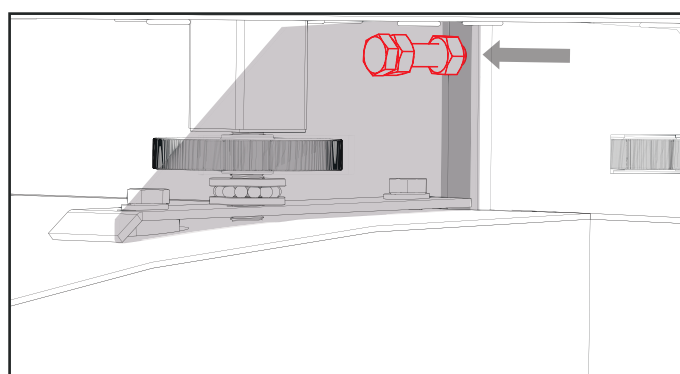
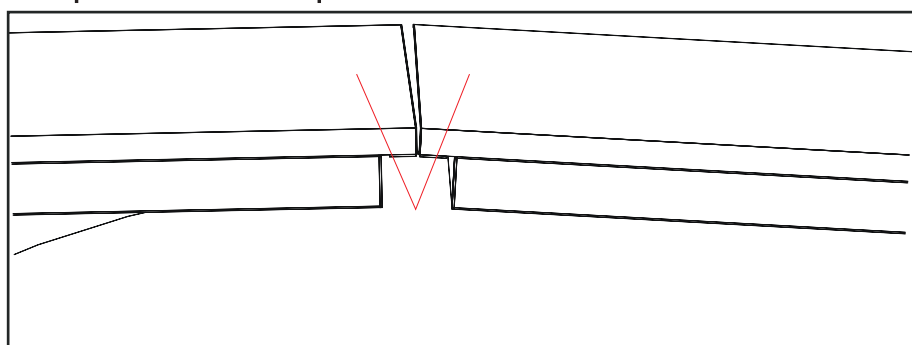
# Revolution SVR Drawer Series

## TABLE MODEL

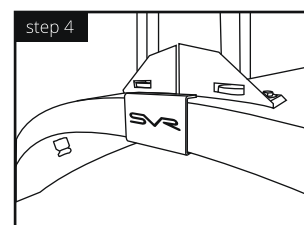
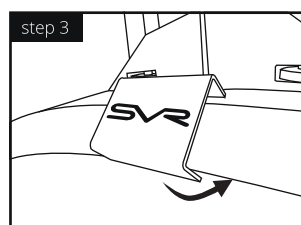
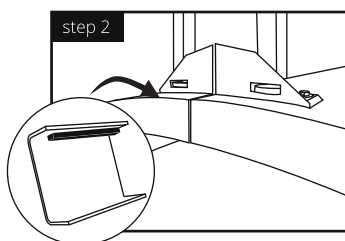
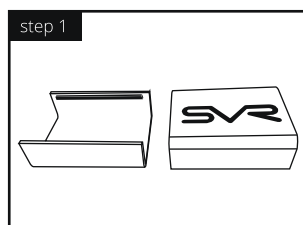
### Adjustments

#### ADDITIONAL TABLE ADJUSTMENTS

3. The following step will show you how to adjust your Table if it is sagging or peaks in the center. Adjust the Table Sag Bolt in or out to make sure both sides of the Table are level and all parts in the center are flush. Repeat this step on the other side of the assembly.

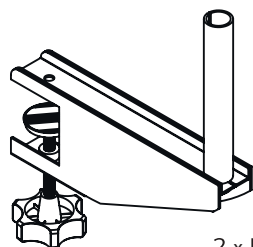


4. Attach (1) Base Cap to the Undercarriage where the two halves meet. Repeat this step on the other side of the assembly.

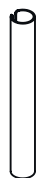


# NET SET PART LIST

TOOL FREE ASSEMBLY 



2 x Posts



2 x Inner Tubes



2 x Metal Rods



4 x Tube Caps



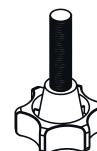
1 Net



2 x Metal Bead Chains

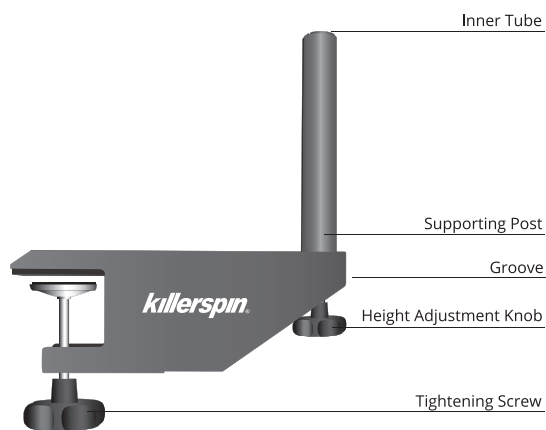


1 Net height gauge

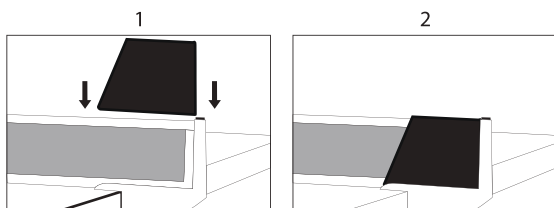


2 x Height Adjustment Knob

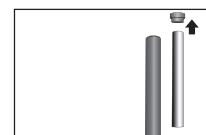
## HOW TO INSTALL



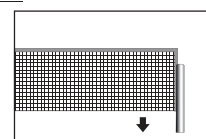
After the Net Set assembly is completed, attach the Net Caps according to the instructions



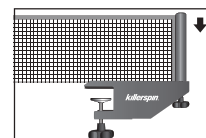
**1** Remove the inner tube from the supporting post. Detach the plastic cap from one end of the inner tube and remove the metal rod.



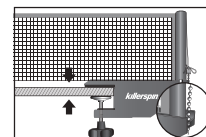
**2** Thread the metal rod through the sleeve on the end of the net and slide into gap on the inner tub. Replace the plastic cap. Insert the inner tube into the supporting post - repeat process for the other side.



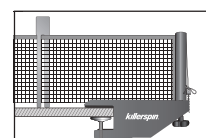
**3** Fasten posts to each side of the table, one at a time. Once one side is screwed tight, gradually fasten the other post and tighten by angling the post onto the table.



**4** Attach metal beads to each side of the net cord and insert beads into groove on post to gain tension on the top edge of the net.



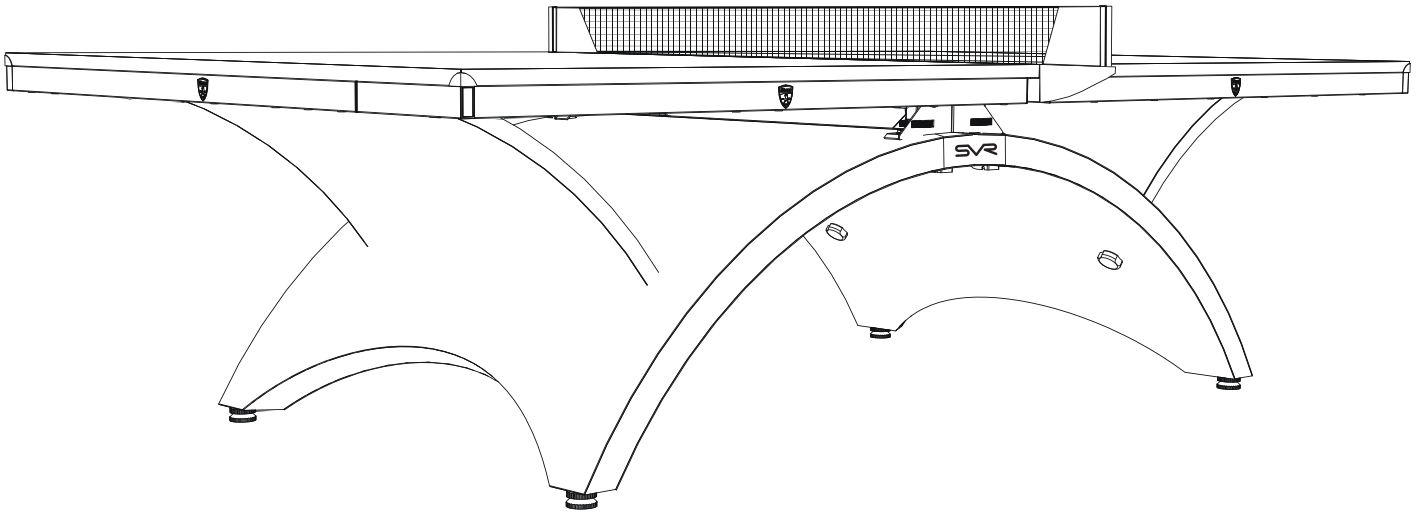
**5** If necessary, use the height adjustment knob to raise or lower the net height to the desired level (a net-height gauge is included)





## **CONGRATULATIONS!**

This completes the assembly of the Killerspin Revolution SVR



# Revolution SVR Drawer Series

## TABLE MODEL

### Dimensions

Length: 9 ft (274 cm)  
Width: 5 ft (152.5 cm)  
Height: 2 ft 6 in (76 cm)  
Table Top: 1"

### Package

No.1

Size: 5.41 x 4.79 x 0.78 Ft.

Weight: 264.55 lbs

Include: Table Top x2, Supporting board x2, Retaining Screw x4, Foot Screw x4, Net-post Set x1, Base Cap x2, Net Cap Set x1

No.2

Size: 4.39 x 4.65 x 1.21 Ft.

Weight: 143.3 lbs

Include: Undercarriage x2



Designed by Killerspin in Chicago

Killerspin LLC  
33 W. Monroe Street  
Suite 1050  
Chicago, IL 60603

[www.killerspin.com](http://www.killerspin.com)

*killerspin*  concierge:  
1-866-577-5291