

**MyT 415 X
Indoor Series
Assembly
Instructions**



About us

Killerspin exists to help you create memories with those you care about through highly designed table tennis experiences - **#UnPlugNPlay**

OUR MISSION IS SIMPLE! Bring style and intensity to table tennis. Hundreds of millions of people play table tennis. They play in their basements, clubs, parks, even on their dining table. Killerspin carefully designed table tennis equipment in order to bring excitement to the sport.

At Killerspin, we not only make top of the line ping pong equipment, we also help build and support engaged communities of avid players with events, content, training, education and inspiration.

Contact us

Customer Service

concierge@killerspin.com

Tel: 1.866.577.5291 ex: 1

MyT 415 X Indoor Series

TABLE MODEL

Safety

1. Do not stand or sit on the table.
2. The table is heavy. Assembly requires two adults. Follow all assembly instructions carefully.
3. Make sure to position the table in an area where there is sufficient space to play so players will not be harmed by surrounding objects while playing.
4. Children's use should be properly supervised.

Maintenance

1. The table is designed for indoor use only and should be kept in a ventilated space away from: direct sunlight, extensive humidity, high temperatures, corrosive environments, and rain.
2. Proper care and maintenance of your table's surface is required for long term performance. Over time, your table's playing surface can build up layers of dirt and grime. You can protect your investment with the Killerspin table tennis surface cleaner - MyT Clean. MyT Clean helps maintain superior conditions for optimal play. It removes the dust, dirt, grease and fingerprints that can build up and make your table look worn. Keep your table tennis surface clean for the best bounce, and maximum shot control.

Tools



Tape Measure



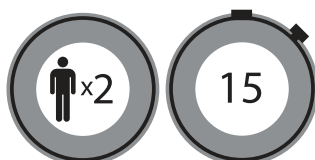
Level



Wrench



Wrench



People Average Time
minute

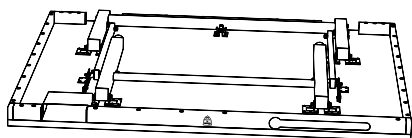
MyT 415 X Indoor Series

TABLE MODEL

Part List

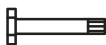










1. Lay the boxes on a smooth, clean surface.
2. Open the lid and check to make sure you have all the parts:

Table Top x2



Net-post Set x1



SKETCH	INDEX NAME	SPEC	QUANTITY
	H1	bolt M8	8
	H2	washer Ø8	16
	H3	nut M8	8
	H4	T type leg	4
	H5	caster	8
	H6	wheel	4
	H7	wheel	4
	A1	table tennis net	1
	A2	safety rod	2
	A3	tool	1
	A4	tool	1

MyT 415 X Indoor Series

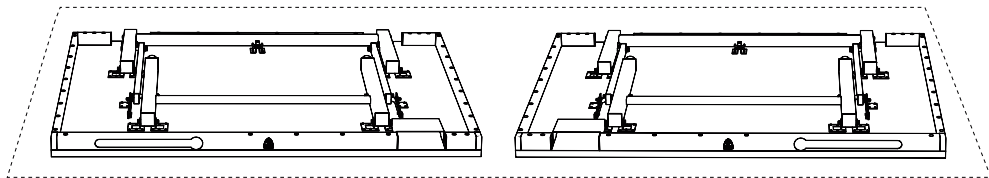
TABLE MODEL

Assembly

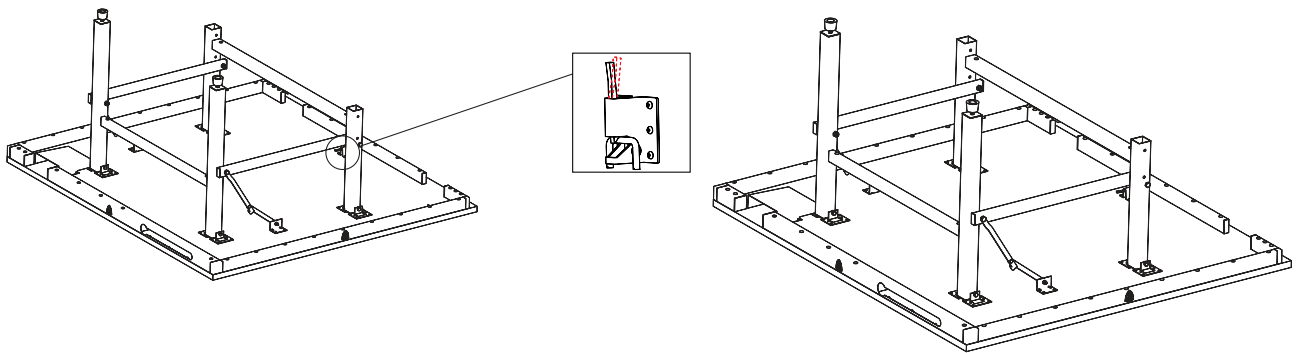
Please read carefully.
Assembly requires two adults.



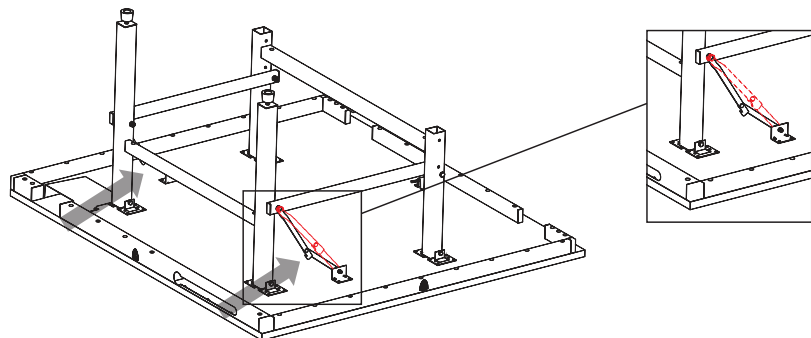
1. Using two people, remove (2) Table Tops from the box and place them upside down onto a blanket or piece of cardboard, free of any debris, so you do not scratch the playing surfaces.



2. Push down on the lever, then lift the Legs into the vertical position. Repeat this step on the other half of the assembly. Caution: Prior to opening the legs, please make sure the safety latch is unlocked.



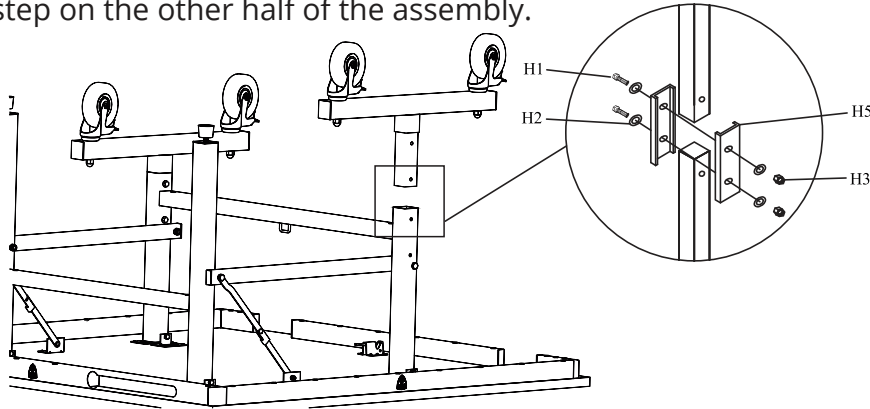
3. Pull up on the braces to lock the legs into position.



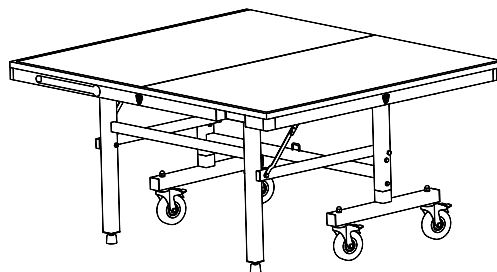
MyT 415 X Indoor Series

TABLE MODEL

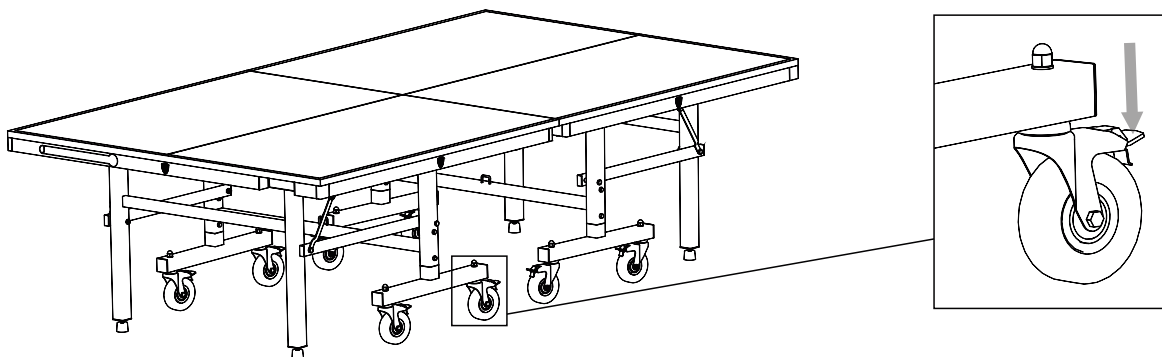
4. Slide (2) T Type leg into the slots for legs, then attach them using H1, H2, H5, H3
Repeat this step on the other half of the assembly.



5. With two people, flip the assembly over, being careful not to bend the Supporting Braces, then remove the blanket or cardboard. Repeat this step on the other half of the assembly.



6. Carefully bring the two halves together. Push down on the (8) Wheel Locks to prevent the tables from rolling.



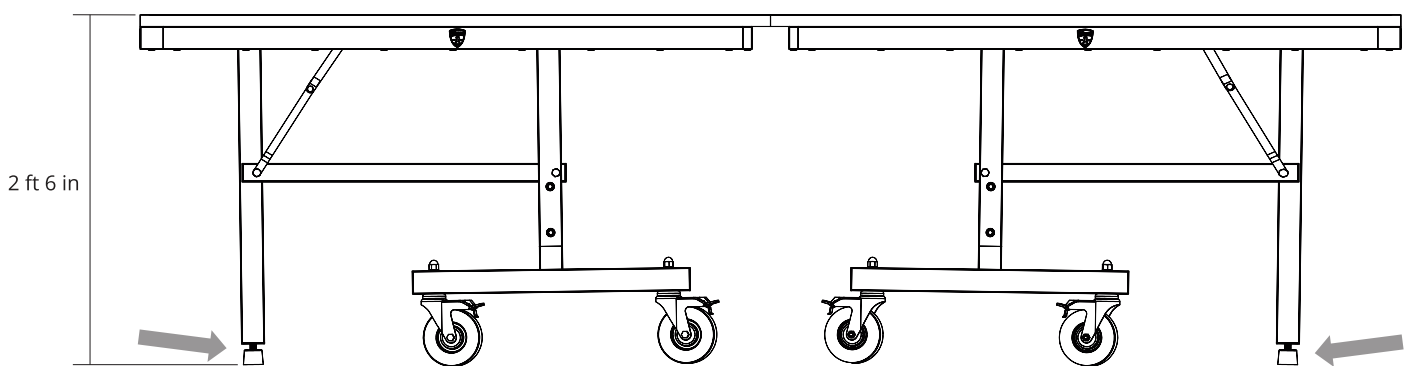
MyT 415 X Indoor Series

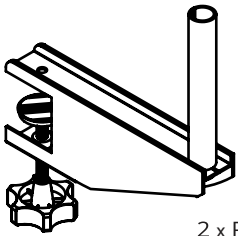
TABLE MODEL

Adjustments

TABLE TOP HEIGHT ADJUSTMENTS

1. Adjust the (4) Foot Screws until the table is level. The recommended height for the Table is 2 feet 6 inches from the ground.





2 x Posts



2 x Inner Tubes



2 x Metal Rods



4 x Tube Caps



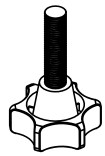
1 Net



2 x Metal Bead Chains

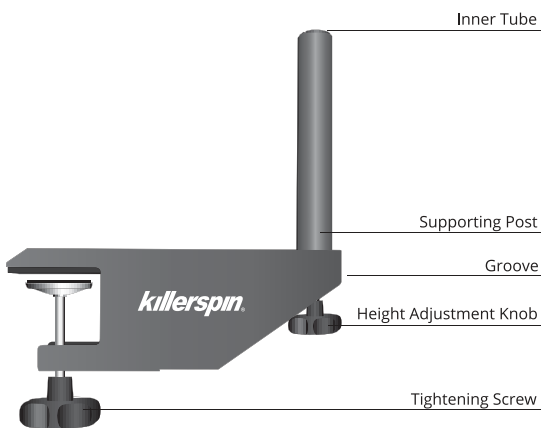


1 Net-height gauge

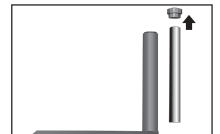


2 x Height Adjustment Knob

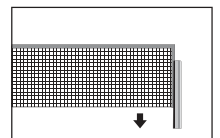
HOW TO INSTALL



1 Remove the inner tube from the supporting post. Detach the plastic cap from one end of the inner tube and remove the metal rod.



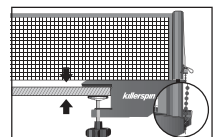
2 Thread the metal rod through the sleeve on the end of the net and slide into gap on the inner tub. Replace the plastic cap. Insert the inner tube into the supporting post - repeat process for the other side.



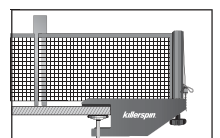
3 Fasten posts to each side of the table, one at a time. Once one side is screwed tight, gradually fasten the other post and tighten by angling the post onto the table.



4 Attach metal beads to each side of the net cord and insert beads into groove on post to gain tension on the top edge of the net.

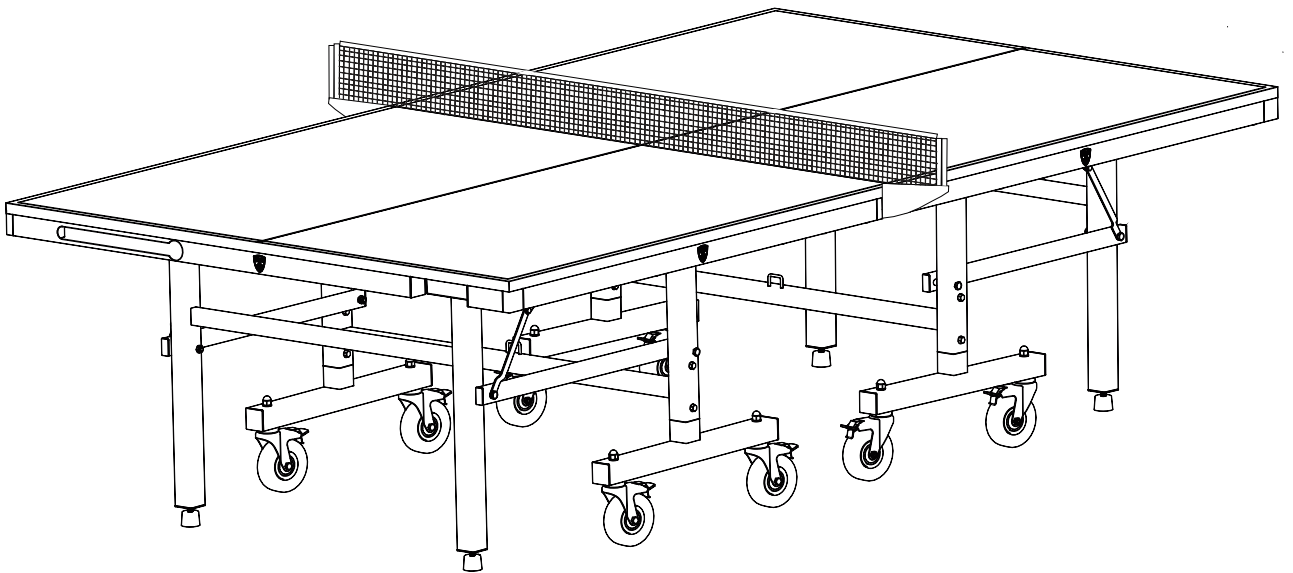


5 If necessary, use the height adjustment knob to raise or lower the net height to the desired level (a net-height gauge is included.)



CONGRATULATIONS!

This completes the assembly of the MyT 415 X



MyT 415 X Indoor Series

TABLE MODEL

Dimensions

Length: 9 ft (274 cm)
 Width: 5 ft (152.5 cm)
 Height: 2 ft 6 in (76 cm)

Package

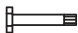








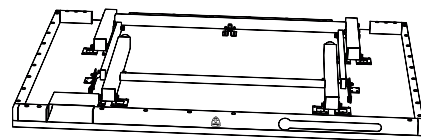
SKETCH	SPEC	QUANTITY
	bolt M8	8
	noked Ø8	16
	nut M8	8
	T type leg	4
	caster	8
	wheel	4
	wheel	4
	table tennis net	1
	safety rod	2

Table Top x2



Net-post Set x1





Designed by Killerspin in Chicago

Killerspin LLC
33 W. Monroe Street
Suite 1050
Chicago, IL 60603

www.killerspin.com

killerspin  concierge:
1-866-577-5291