

**MyT 415
Indoor Series
Assembly
Instructions**



Before you begin

FOR QUICK & EASY
3D ASSEMBLY
INSTRUCTIONS

Step 1: Search for BILT Instructions and download the free BILT app.

Step 2: Once in the BILT app, search your Killerspin table model in the BILT app search bar.

Step 3: Begin easy assembly of this product using the BILT 3D-guided interactive instructions.

BILT®
Intelligent Instructions



MyT 415 Indoor Series

TABLE MODEL

Safety

1. Do not stand or sit on the table.
2. The table is heavy. Assembly requires two adults. Follow all assembly instructions carefully.
3. Make sure to position the table in an area where there is sufficient space to play so players will not be harmed by surrounding objects while playing.
4. Children's use should be properly supervised.

Maintenance

1. The table is designed for indoor use only and should be kept in a ventilated space away from: direct sunlight, extensive humidity, high temperatures, corrosive environments, and rain.
2. Proper care and maintenance of your table's surface is required for long term performance. Over time, your table's playing surface can build up layers of dirt and grime. You can protect your investment with the Killerspin table tennis surface cleaner - MyT Clean. MyT Clean helps maintain superior conditions for optimal play. It removes the dust, dirt, grease and fingerprints that can build up and make your table look worn. Keep your table tennis surface clean for the best bounce, and maximum shot control.

Tools



Tape Measure



Level



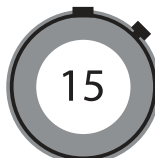
Wrench



Wrench



People



Average Time
minute

MyT 415 Indoor Series

TABLE MODEL

Part List

1. Lay the boxes on a smooth, clean surface.
2. Open the lid and check to make sure you have all the parts:

Wheel Assembly x4

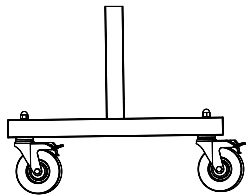
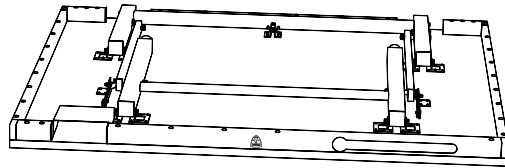


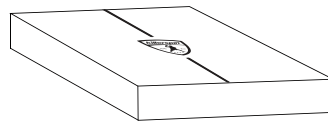
Table Top x2



Bolt x16



Net-post Set x1



MyT 415 Indoor Series

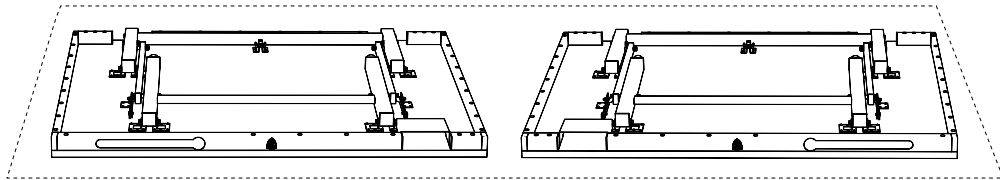
TABLE MODEL

Assembly

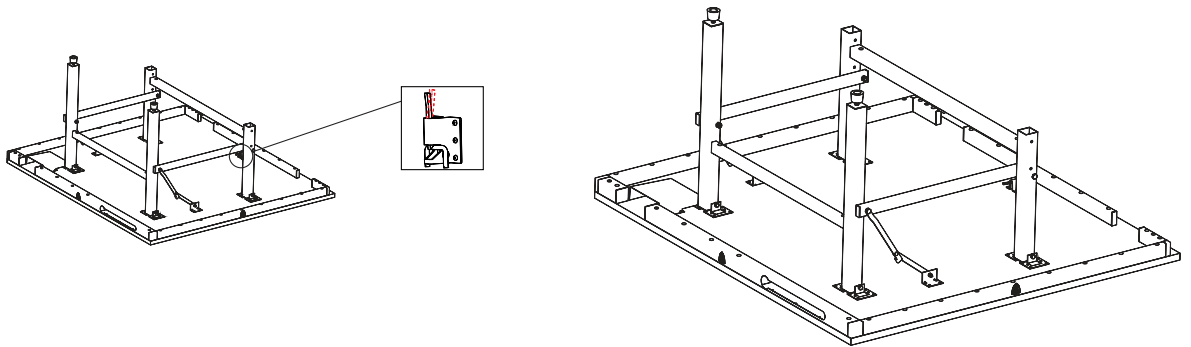
Please read carefully.
Assembly requires two adults.



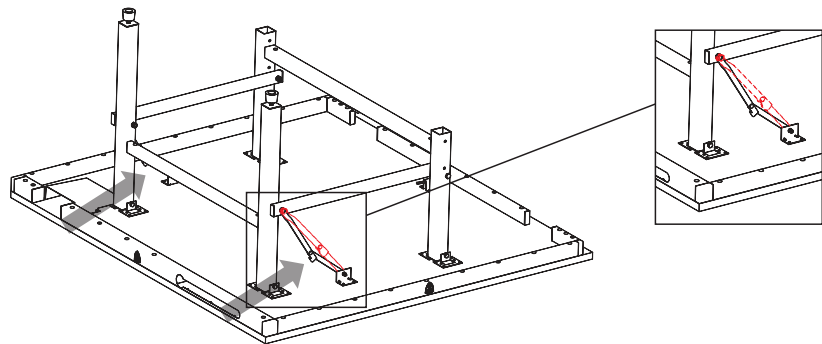
1. Using two people, remove (2) Table Tops from the box and place them upside down onto a blanket or piece of cardboard, free of any debris, so you do not scratch the playing surfaces.



2. Push down on the lever, then lift the Legs into the vertical position. Repeat this step on the other half of the assembly. Caution: Prior to opening the legs, please make sure the safety latch is unlocked.



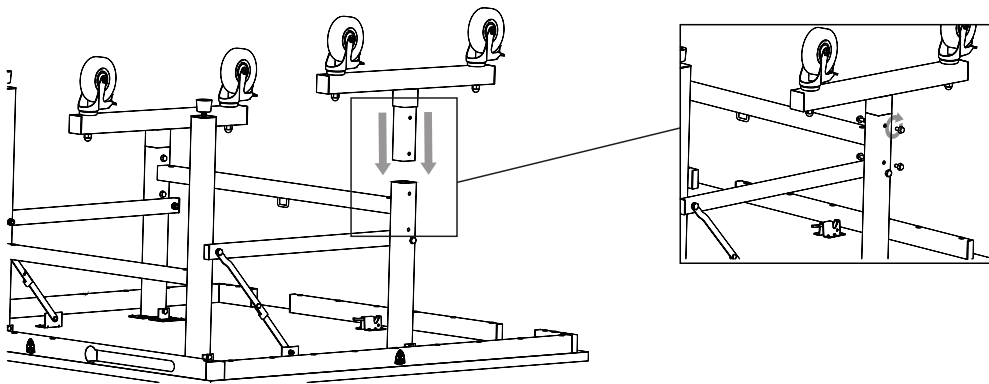
3. Pull up on the braces to lock the legs into position.



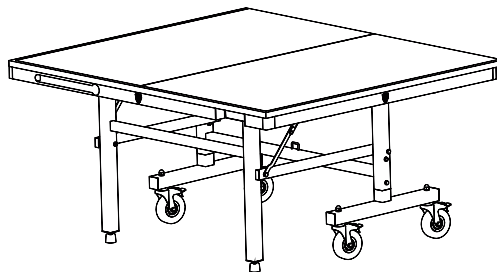
MyT 415 Indoor Series

TABLE MODEL

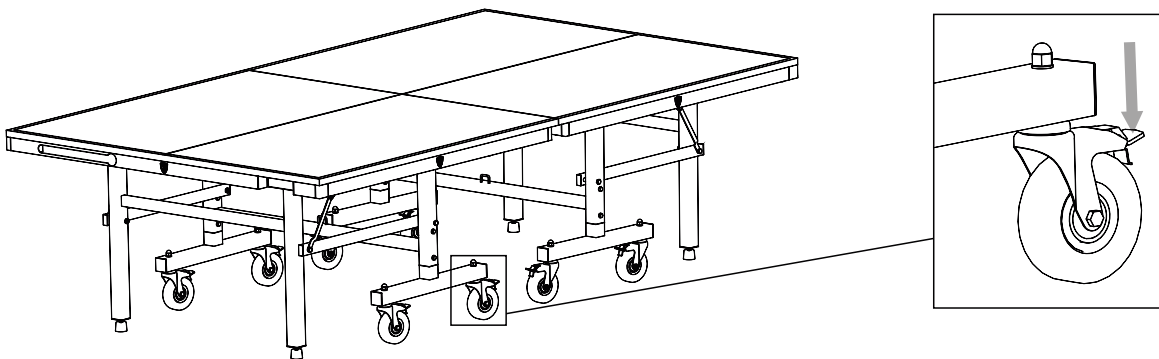
4. Slide (2) Wheel Assemblies into the slots in the legs, then attach them using (8) Bolts. Repeat this step on the other half of the assembly.



5. With two people, flip the assembly over, being careful not to bend the Supporting Braces, then remove the blanket or cardboard. Repeat this step on the other half of the assembly.



6. Carefully bring the two halves together. Push down on the (8) Wheel Locks to prevent the tables from rolling.



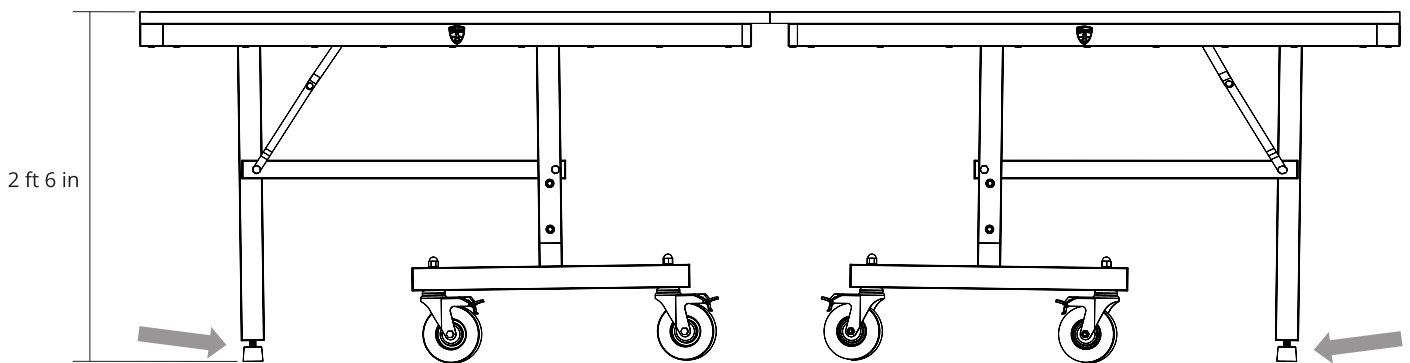
MyT 415 Indoor Series

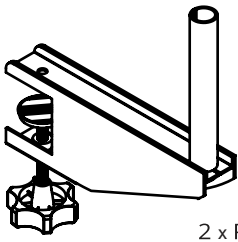
TABLE MODEL

Adjustments

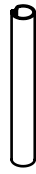
TABLE TOP HEIGHT ADJUSTMENTS

1. Adjust the (4) Foot Screws until the table is level. The recommended height for the Table is 2 feet 6 inches from the ground.





2 x Posts



2 x Inner Tubes



2 x Metal Rods



4 x Tube Caps



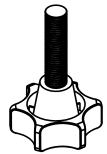
1 Net



2 x Metal Bead Chains

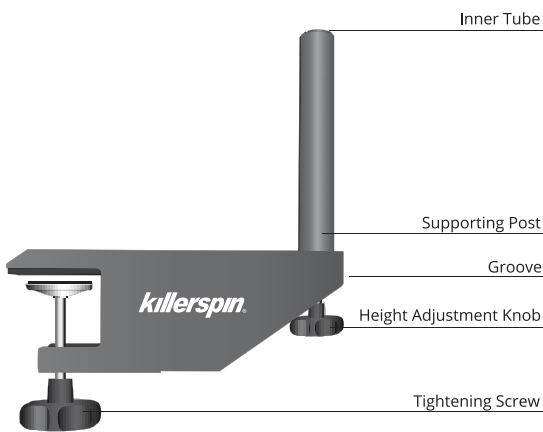


1 Net-height gauge

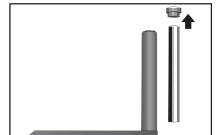


2 x Height Adjustment Knob

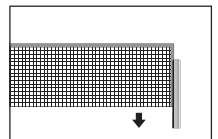
HOW TO INSTALL



1 Remove the inner tube from the supporting post. Detach the plastic cap from one end of the inner tube and remove the metal rod.



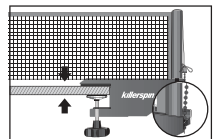
2 Thread the metal rod through the sleeve on the end of the net and slide into gap on the inner tube. Replace the plastic cap. Insert the inner tube into the supporting post - repeat process for the other side.



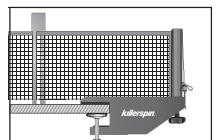
3 Fasten posts to each side of the table, one at a time. Once one side is screwed tight, gradually fasten the other post and tighten by angling the post onto the table.



4 Attach metal beads to each side of the net cord and insert beads into groove on post to gain tension on the top edge of the net.

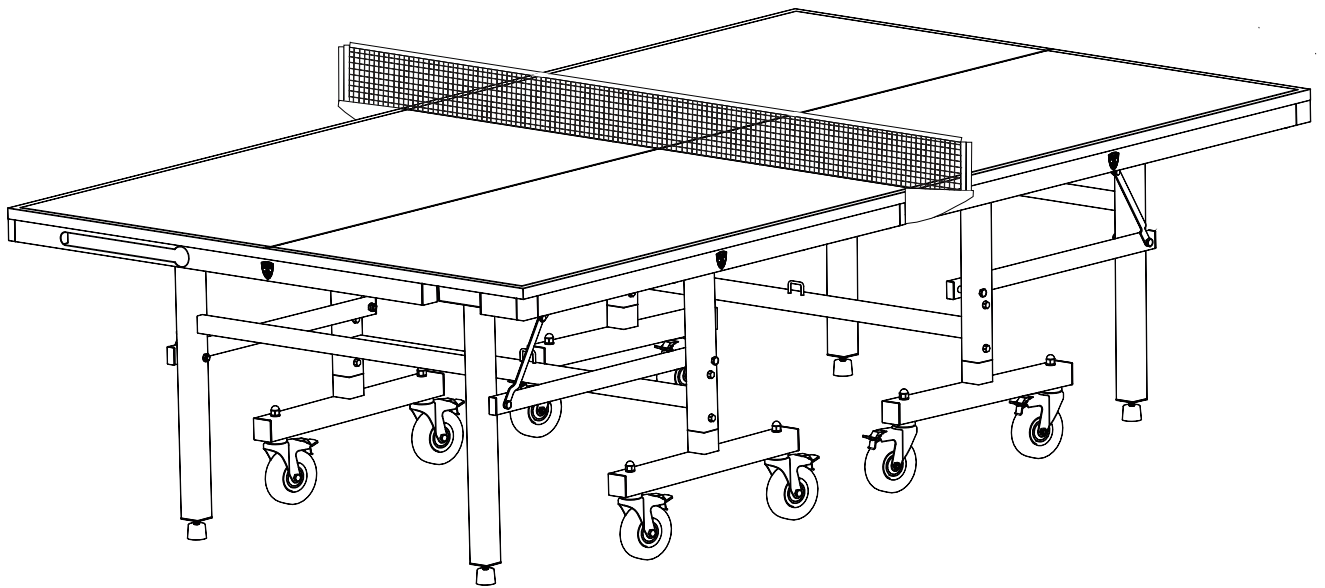


5 If necessary, use the height adjustment knob to raise or lower the net height to the desired level (a net-height gauge is included.)



CONGRATULATIONS!

This completes the assembly of the MyT 415



MyT 415 Indoor Series

TABLE MODEL

Dimensions

Length: 9 ft (274 cm)

Width: 5 ft (152.5 cm)

Height: 2 ft 6 in (76 cm)

Package

Include: Table Top x2, Wheel Assembly x4,
Bolt x16, Net-post Set x1



Designed by Killerspin in Chicago

Killerspin LLC
33 W. Monroe Street
Suite 1050
Chicago, IL 60603

www.killerspin.com

killerspin  concierge:
1-866-577-5291