

**Revolution SVR
Wing Series 2022
Assembly
Instructions**



Before you begin

FOR QUICK & EASY
3D ASSEMBLY
INSTRUCTIONS

Step 1: Search for BILT Instructions and download the free BILT app.

Step 2: Once in the BILT app, search your Killerspin table model in the BILT app search bar.

Step 3: Begin easy assembly of this product using the BILT 3D-guided interactive instructions.

BILT[®]
Intelligent Instructions



Revolution SVR Wing Series

TABLE MODEL

Safety

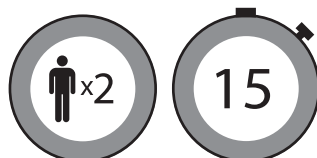
1. Do not stand or sit on the table.
2. The table is heavy. Assembly requires two adults. Follow all assembly instructions carefully.
3. Make sure to position the table in an area where there is sufficient space to play so players will not be harmed by surrounding objects while playing.
4. Children's use should be properly supervised.

Maintenance

1. The table is designed for indoor use only and should be kept in a ventilated space away from: direct sunlight, extensive humidity, high temperatures, corrosive environments, and rain.
2. Proper care and maintenance of your table's surface is required for long term performance. Over time, your table's playing surface can build up layers of dirt and grime. You can protect your investment with the Killerspin table tennis surface cleaner - MyT Clean.
3. MyT Clean helps maintain superior conditions for optimal play. It removes the dust, dirt, grease and fingerprints that can build up and make your table look worn. Keep your table tennis surface clean for the best bounce, and maximum shot control.

Tools

TOOL FREE ASSEMBLY 



People Average Time
minute

Revolution SVR Wing Series

TABLE MODEL

Part List

1. Lay the box on a smooth, clean surface.
2. Open the lid and check to make sure you have all the parts:

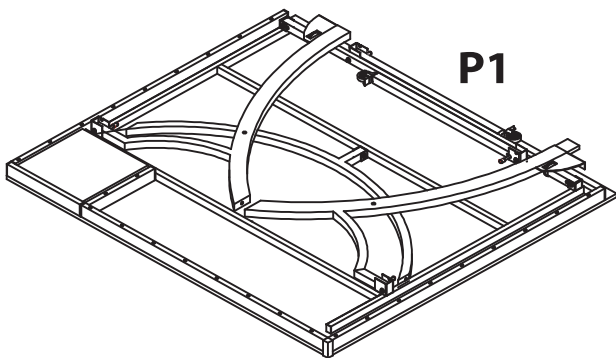
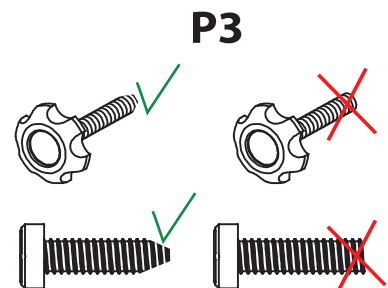


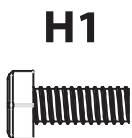
Table Top x2



Leveler x4



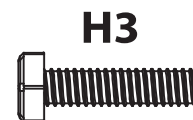
Lock Knob x4



M8x20 Bolt x4



M10 Washer x4



M8x30 Bolt x2
(Already set up on the table frame)



Net-post Set x1



Spare Wheels For
Supporting Legs (Black) x4

Revolution SVR Wing Series

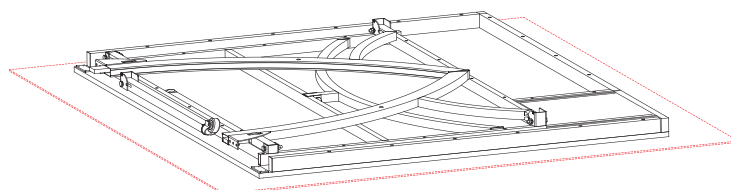
TABLE MODEL

Assembly

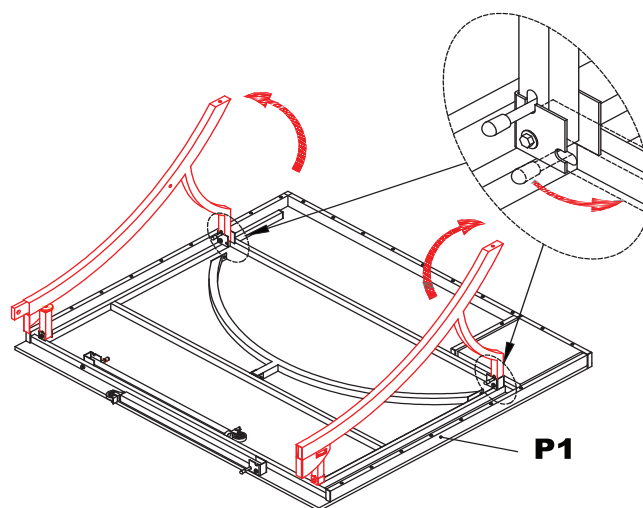
Please read carefully.
Assembly requires two adults.



1. The table top has 2 pieces. Please put each piece of table top facing down on a clean and flat carton. Please make sure that the carton surface is clean to avoid abrasion during assembling.



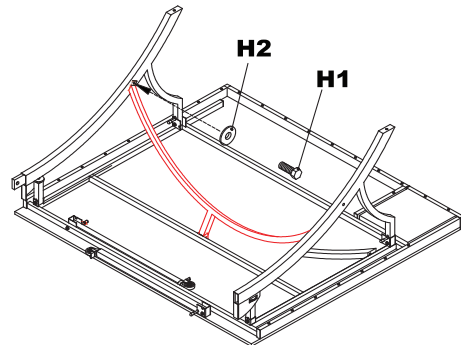
2. Pull the Hand Knobs on the Arched Legs to unlock them, then lift the Legs until they lock into the vertical position.



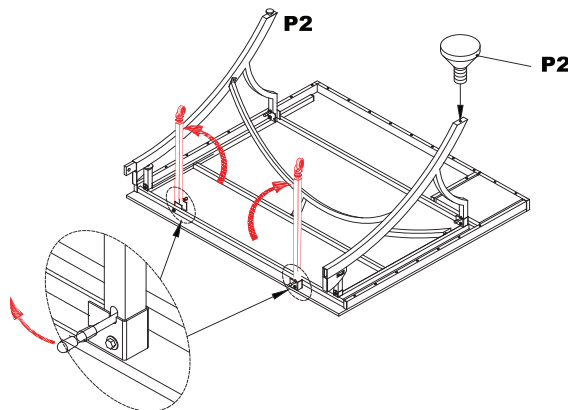
Revolution SVR Wing Series

TABLE MODEL

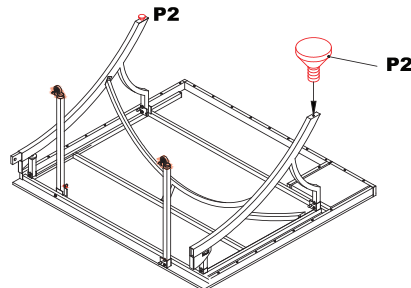
3. Pull the supporting arch-shaped leg to unfold and place between the side legs. Insert part H2 (washer) and H1 (bolt) into the hole on the inside frame and tighten. Repeat on the other side .



4. Pull the Hand Knobs on the supporting legs to unlock them, then lift the legs until they lock into the vertical position. Repeat this step on the other half of the assembly. **Please note that the wheels on the supporting legs are white, if you wish to change them into black color, please use the P4 (spare wheels for supporting legs (black)). This should be done only when table is in this position as shown on the picture.**



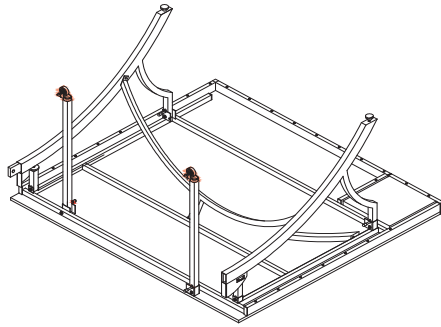
5. Screw in the black adjustable levelers (P2) at the end of the both arch-shaped legs as shown on the picture.



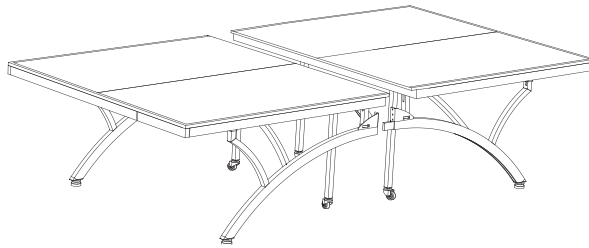
Revolution SVR Wing Series

TABLE MODEL

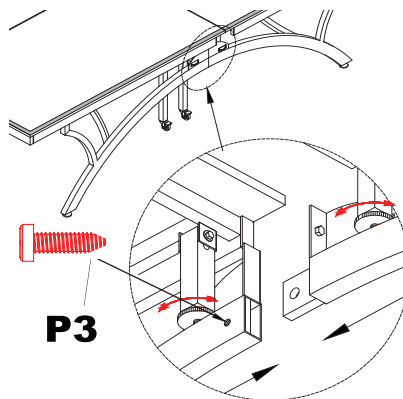
6. Repeat the steps 1-5 for the second half of the assembly.



7. With two people, flip the assembly over, being careful not to bend the Supporting Braces, then remove the blanket or cardboard. Repeat this step on the other half of the assembly.



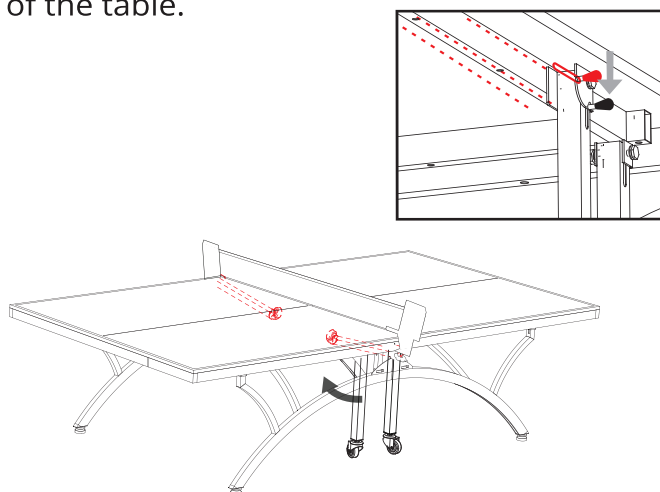
8. To connect the two table halves, move the two tables tightly together. Look for the P3 (lock knob) which is located underneath the table top by the inside of the arched-shaped leg, towards metal frame and ensure it enters the matching hole all the way through. Tighten the lock knob to assure secure connection. Repeat for the opposite side of the table.



Revolution SVR Wing Series

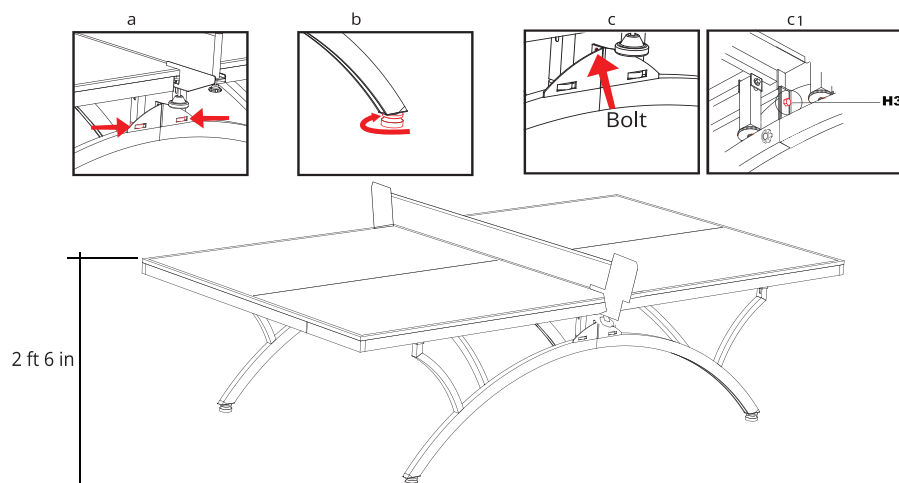
TABLE MODEL

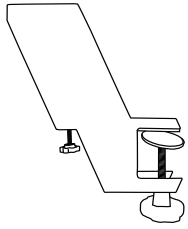
9. After confirming the two table halves are locked together, retract the supporting legs. To do this, pull on the supporting leg knob and retract the supporting leg until it is in the undercarriage. Repeat for the opposite side of the table.



Adjustments

1. To level the table tops, place water leveler on the table top and move leveling wheels (picture #a) accordingly as well as the leg adjustable levelers if needed (picture #b). If there is a gap between table tops, tighten or loosen bolt located behind the leveling wheels at the connecting point of the two table bases (picture #c).





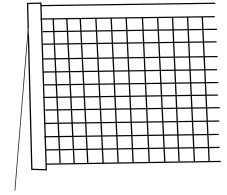
2x Net Post



2x Net Rod



2x Net Rod Cap



1x Net



1x Net Height Gauge



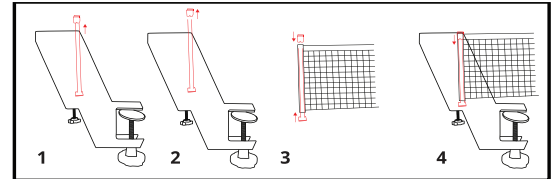
2x Bead Chains

HOW TO INSTALL

The following steps will assist you with assembling and attaching the Net.

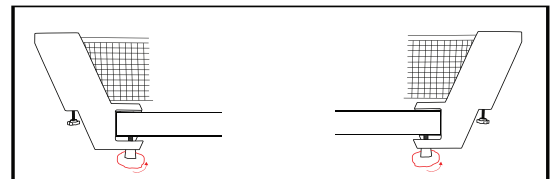
1 _____

Take out the Net Rod from the Net Post slot and remove its cap, then slide the Net Rod into the sleeve at the end of the Net and replace the cap. Slide the end of the Net and Rod into the Net Post slot. Be sure the notch in the cap is parallel with the Net. Repeat this step on the other end of the Net. NOTE: Check if the Net Post was pre-set for the following steps.



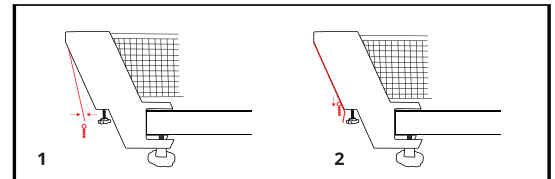
2 _____

Attach the Net assembly to the Table. Tighten the Net Mount Knob to the Table. Repeat this step on the other end of the Net. NOTE: Securing the Net Mounts to the Table helps the two sides stay together.



3 _____

While someone holds one end of the Net String tight, tie the other end of the String to Net Slack Adjuster. Insert the end of the Adjuster into the slot on the Net Mount. Pull the String tight, then tie it to the top of the Adjuster. Repeat this step on the other end of the Net.

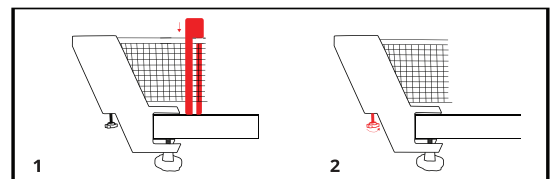


4 _____

To remove slack from the Net, remove the Net Slack Adjuster from the notch in the Net Mount, then insert the Adjuster at a higher point after pulling on the String. Repeat this step on the other end of the Net.

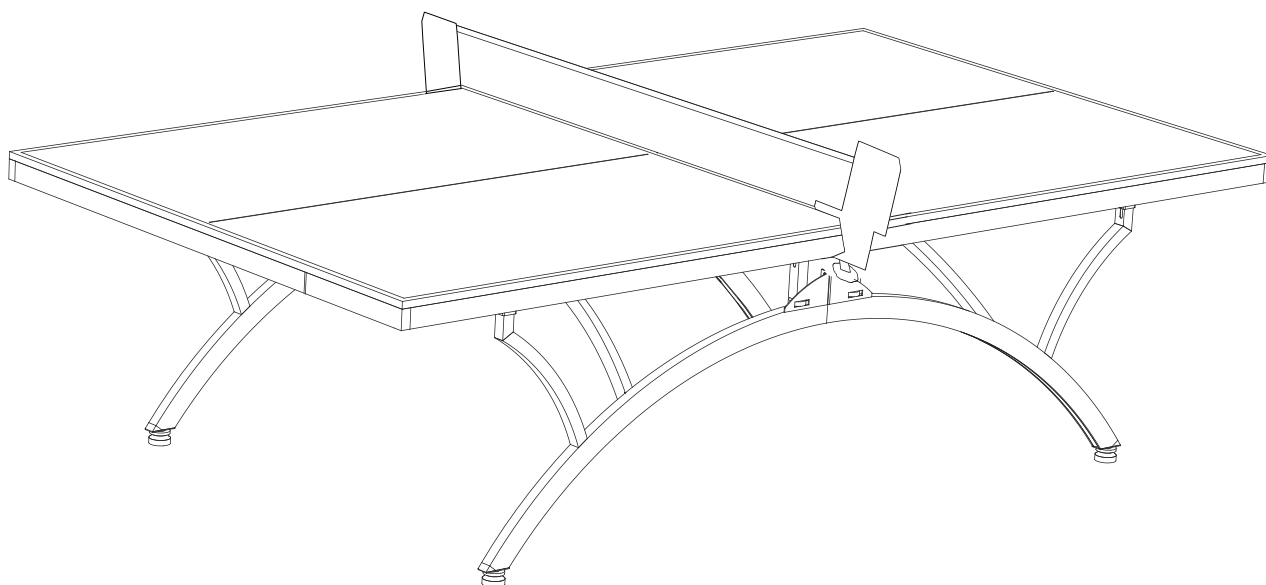
5 _____

Using the Net Gauge as a guide, adjust the Net Height Knobs on both ends of the Net. The Net Gauge should be touching the Table, but also rest vertically.



CONGRATULATIONS!

This completes the assembly of the Killerspin Revolution SVR Wing



Revolution SVR Wing Series

TABLE MODEL

Dimensions

Length: 9 ft (274 cm)

Width: 5 ft (152.5 cm)

Height: 2 ft 6 in (76 cm)

Table Top: 0.7" (18 mm)

Package

Box Dimensions: 1650 x 1460 x 240 mm

Table Weight: 105 kg

Box Weight: 30 kg

Total Weight: 135 kg



Designed by Killerspin in Chicago

Killerspin LLC
33 W. Monroe Street
Suite 1050
Chicago, IL 60603

www.killerspin.com

killerspin  concierge:
1-866-577-5291