



Product Description

The KabobMaster Cart Series Grills are charcoal grills designed to be portable. The grills have two wheels which can be used to easily move the grill around. The grills all come with a 14 inch welded side table and a shelf below the fire box.

The grill features an 11 gauge rust resistant, galvanized steel fire box, with a 16 gauge rust resistant galvanized steel lid and legs. The fire box is built from a single sheet with 90 degree bends on all four sides to prevent bending and warping from any heat source.

All grills come with cutouts (slots) on the front and rear sides for skewer placement. The “P” option denotes the circular punches which are added for ease of integration with the KabobMaster Rotisseries.

Use of wood, charcoal and mesquite woods are suitable and recommended heat sources for all KabobMaster Grills.

Material: Galvanized steel

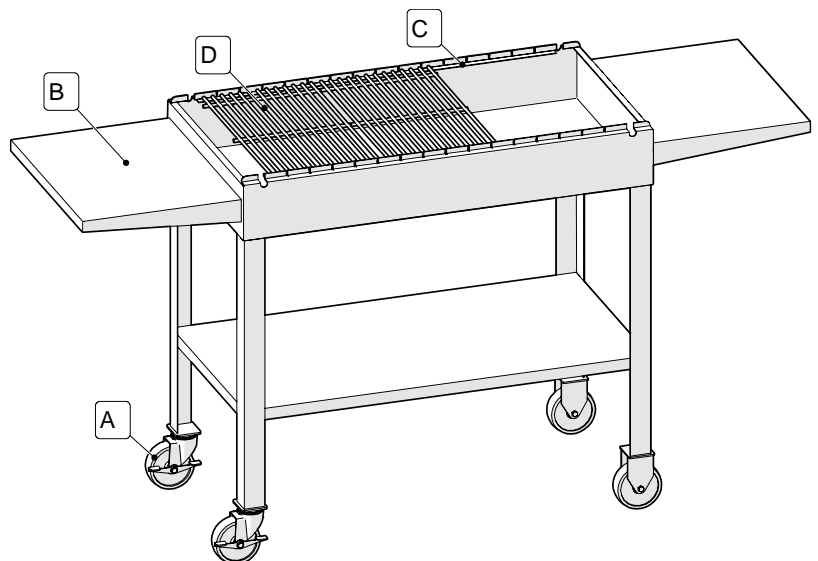
Customizations

Firebox length, width and depth can be customized on all cart grills.

Additional Customizations Include:

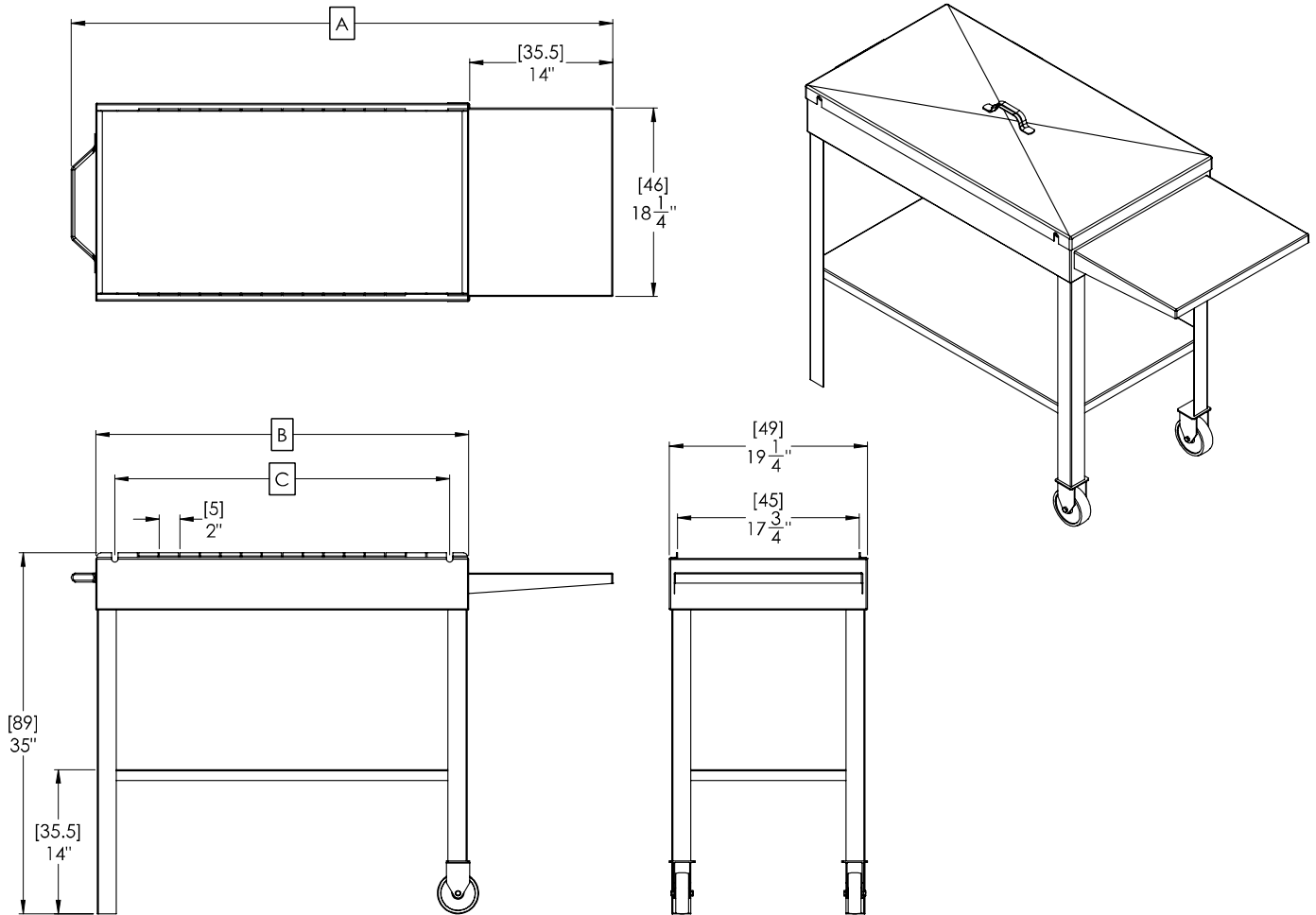
- A: Extra set of rotating wheels with locks
- B: Extra side table
- C: Grate holder
- D: Removeable grates*

*Requires grate holder customization



Dimensions

Dimensions in brackets [] are in centimeters.



Model	A	B	C
Cart 30	46 1/2 in. 118 cm.	30 1/4 in. 77 cm.	27 1/2 in. 70 cm.
Cart 36	52 1/2 in. 133 cm.	36 1/4 in. 92 cm.	32 1/2 in. 82.5 cm.
Cart 42	58 1/2 in. 148.5 cm.	42 1/4 in. 107 cm.	*P Option Not Available
Cart 48	64 1/2 in. 164 cm.	48 1/4 in. 122.5 cm.	44 1/2 in. 113 cm.
Cart 60	76 1/2 in. 194 cm.	60 1/4 in. 153 cm.	56 1/2 in. 143.5 cm.