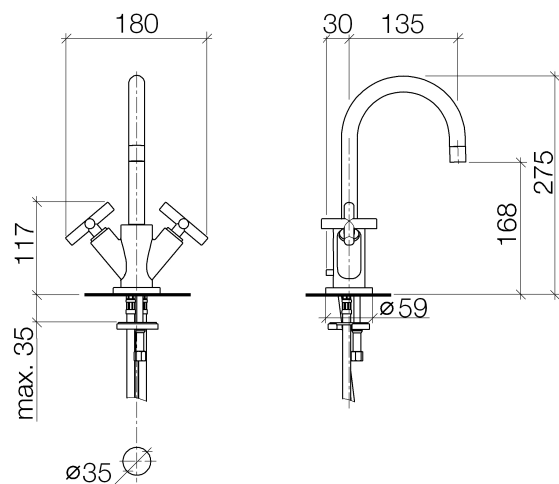




### Product specifications

- **5 3/8" projection**
- Swivel spout 360°
- M 18 x 1 aerator – female thread
- Total height 10 7/8"
- Height to aerator/spout outlet 6 5/8"
- 2x xControl ceramic disc cartridge 1/2"
- 2x M 10 x 1 screw-in high pressure hose
- **US drain with overflow**
- Water flow rate limited to max. 1.5 gpm
- low lead compliant
- Flange diameter 2 3/8"



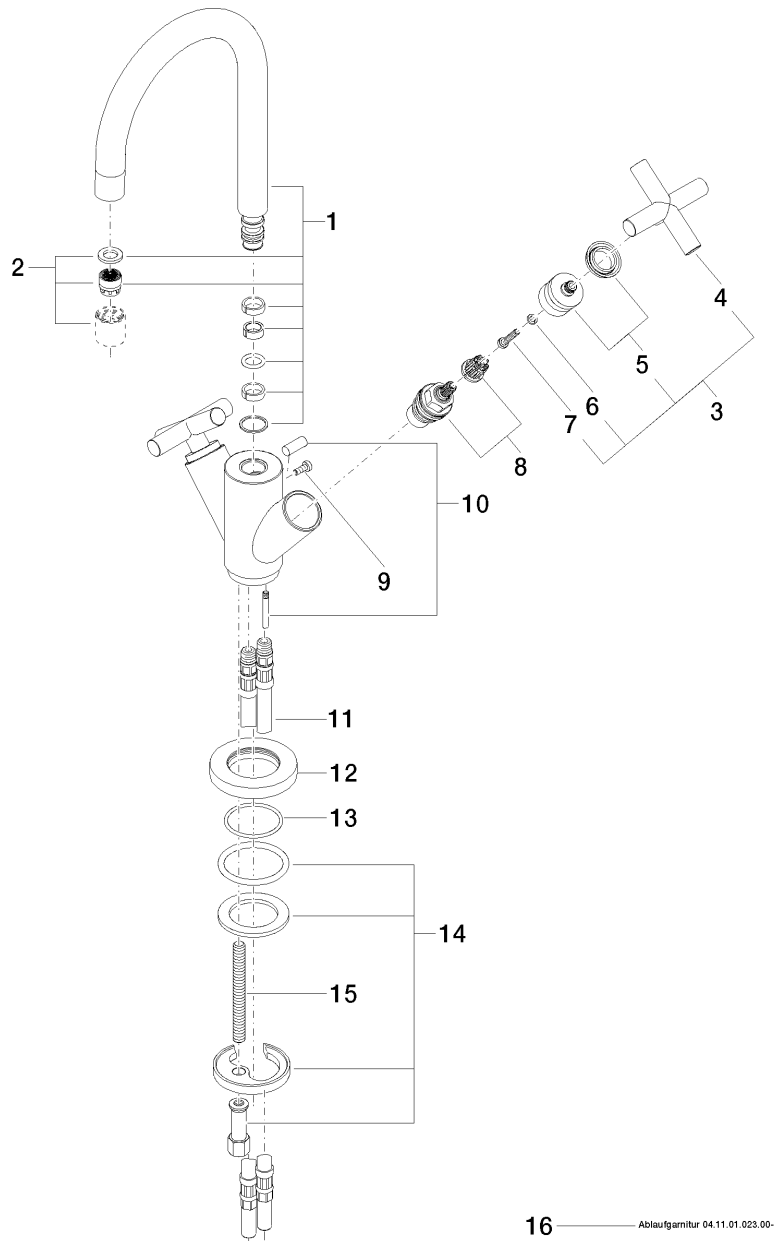


---

**Surfaces**

- chrome 22512892-000010
- matt platinum 22512892-060010
- platinum 22512892-080010
- matt white 22512892-100010
- matt black 22512892-330010

**Exploded assembly drawing**



**Order quantity**

<b>No.</b>	<b>Article number</b>	<b>Name</b>	<b>Installation quantity</b>
1	90282221702ff	spout	1
2	90230102800ff	aerator	1
3	04208901000ff	handle	2
4	092089010ff	handle	2
5	90121200700ff	base	2
6	09301102990	disc	2
7	09303007590	screw	2
8	9090031510090	top	2
9	09303005490	screw	1
10	04208903580ff	pull-rod	1
11	0430040450090	hose	2
12	092810132ff	ring	1
13	09141013490	seal	1
14	0430110380090	fixing set	1
15	09311101190	pin	1
16	04110102300ff	pop-up waste	1

**Flow rate chart**

