

ZPROX INDUCTIVE PROXIMITY SENSOR

MANUFACTURER PART #	HOUSING	OUTPUT	SENSING RANGE	MOUNTING
WSI-3205-SAAH	20 x 32 x 8	PNP N.O.	5 mm	Embeddable



Rectangular format inductive proximity sensor with long operating distance

Main features:

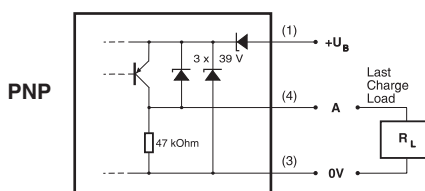
- One-piece stainless-steel housing
- ACTIVSTONE Weld Spatter Resistant Coating
- Factor 1 on steel and aluminum
- IP 68 / IP 69K
- High Temp Cable Protection
- M12 connector PNP, N.O.
- ACTIVFLEX cable protection installed

Technical data:

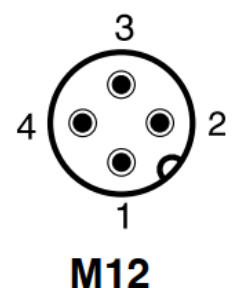
(according to IEC 60947-5-2)

Rated operating distance s_n	5 mm
Hysteresis	$\leq 15\% s_r$
Standard target	21 x 21 x 1 mm, FE 360
Repeat accuracy	0.8 mm
Supply voltage range U_B	$T_A = 23\text{ }^\circ\text{C} \pm 5\text{ }^\circ\text{C}$ 10 ... 30 VDC
Max. ripple content	$\leq 20\% U_B$
Output current	$\leq 200\text{ mA}$
Output voltage drop	$\leq 2.0\text{ V}$ at 200 mA
No-load supply current	$\leq 15\text{ mA}$
Leakage current	$\leq 0.1\text{ mA}$
Switching frequency	$\leq 180\text{ Hz}$
Time delay before availability LED (0 ... s_r)	$\leq 50\text{ ms}$ on
Ambient temperature range T_A	$-25 \dots + 85\text{ }^\circ\text{C}$
Temperature drift of s_r	$\leq 10\%$
Max tightening torque	2Nm (for M3 Screw)
Short-circuit protection	built-in
Voltage reversal protection	built-in
Induction protection	built-in
Shocks and vibration	IEC 60947-5-2 / 7.4
Cable length	300 m max.
Weight	25 g
Degree of protection	IP 68 & IP 69K
EMC protection: IEC 61000-4-2	Level 4
IEC 61000-4-3	Level 3
IEC 61000-4-4	Level 3
Housing and sensing face material	Stainless steel V4A (1.4435 / AISI 316)
Sensing face thickness	1 mm
Connection	M12

Wiring diagrams

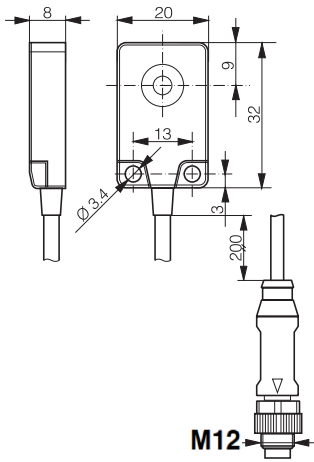


Pin assignment

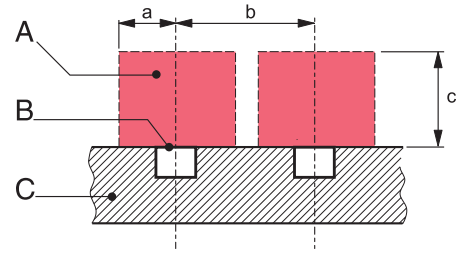


WSI-3205-SABH

Dimensions:



Installation (Fig. 1):



A : metal free zone a : 21 mm
 B : sensing face b : 60 mm
 C : support c : 21 mm

* typical values

Correction factors for target of*:

Steel FE 360	1.0	Copper	0.8	Aluminium	1.0	Brass	1.2	Stainless steel 1mm / 2mm thick	0.5 / 0.85
--------------	-----	--------	-----	-----------	-----	-------	-----	---------------------------------	------------

Correction factors for embeddable mounting (Fig. 1) in support of*:

Steel FE 360	0.9	Aluminium	0.95	Brass	1.0	Stainless steel	1.1
--------------	-----	-----------	------	-------	-----	-----------------	-----

Typenspektrum / Types disponibles / Available types:

Part number	polarity	connection	output
WSI-3205-SAAH	PNP	connector M12	N.O.

Product not intended for safety applications.

Operators of the product are responsible for compliance with measures relating to the protections of persons, equipment, electrical standards and environmental regulations.