

**LONG RANGE CUBE MOUNT**  
FOR 30MM CYLINDRICAL SENSORS

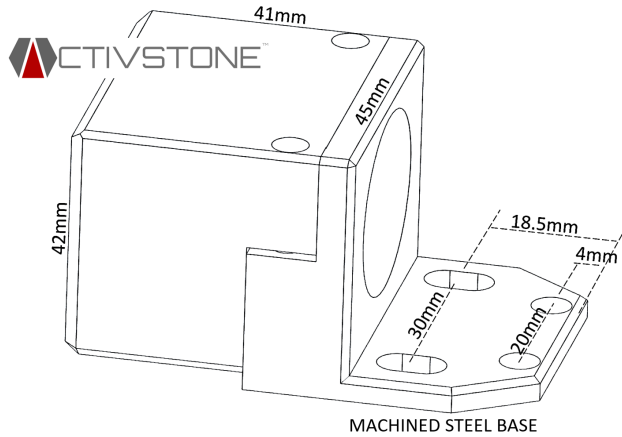
**WMT-3040-FFXH**



WMT-3040-FFXH

FOR SENSOR SIZE  
**30MM**

MATERIALS  
**ALL STEEL**



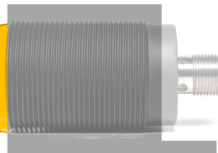
**ALL STEEL**  
**HIGH DURABILITY 40mm CUBE REPLACEMENT**  
BOLT-IN DIRECT INTERCHANGE TO MOST EXISTING CUBE SENSORS

- Machined steel back mount section
- ACTIVSTONE Weld spatter resistant coating.
- All Steel Nose
- Allows for sensor adjustability and replacement
- Resistant to Impact, Abrasion and Heat
- Direct mounting interchange to existing 40mm CUBE sensors with provision for 4 mounting points
- Secure clamping mechanism as found on WMT mount systems
- Up to 20mm Range shielded with Weld Dynamix 30mm Sensor

**INSTALLATION GUIDELINES**

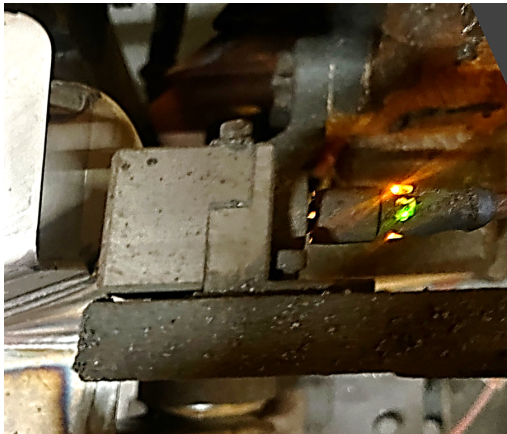
**SHIELDED**

SHIELDED  
SENSING  
PATTERN



METAL BACKGROUND

NOTE – WITH SHIELDED SENSORS, THERE ARE NO LIMITATIONS ON PLACEMENT OF MOUNT ONTO METALIC BACKGROUND



**UNSHIELDED**

UNSHIELDED  
SENSING  
PATTERN

