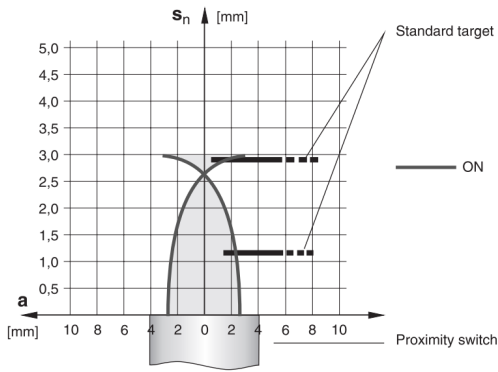


Z-PROX INDUCTIVE PROXIMITY SENSOR

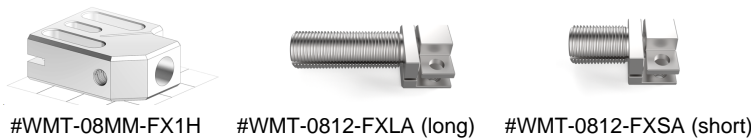
MANUFACTURING PART # WSI-0803-SACZ	DIAMETER M8	SENSING RANGE 3 mm	MOUNTING embeddable
--	-----------------------	------------------------------	-------------------------------



Weld-immune full-metal sensor with long operating distance

- Main features:**
- Long operating distance: 3 mm on steel and aluminum
 - Full Stainless Steel Construction: Face/Body/Threads/Connector
 - Resistant to 50 Hz magnetic fields up to 40 mT
 - ACTIVSTONE ZG Zirconium Graphite weld-spatter resistant coating
 - Extremely robust: one-piece stainless steel housing and sensing face
 - Immune to metal debris
 - F1 (Factor 1) Sensing all Metals

Compatible with mounts:

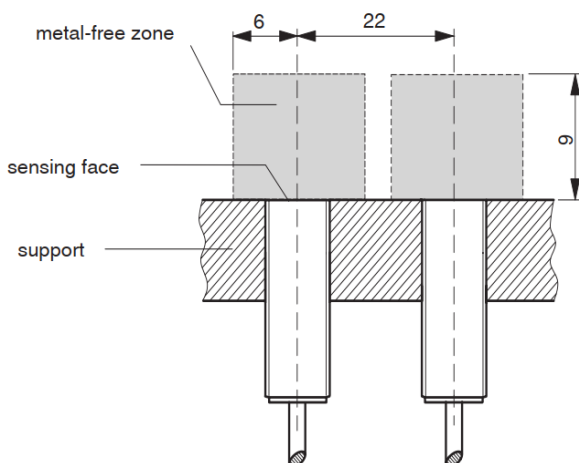


Technical data:

(according to IEC 60947-5-2)

Rated operating distance s_n	3 mm
Hysteresis	$\leq 15\% s_r$
Standard target	9 x 9 x 1 mm, FE 360
Repeat accuracy	0.15 mm ($U_B = 20 \dots 30$ VDC, $T_A = 23\text{ }^\circ\text{C} \pm 5\text{ }^\circ\text{C}$)
Supply voltage range U_B	10 ... 30 VDC
Max. ripple content	$\leq 20\% U_B$
Output current	≤ 200 mA
Output voltage drop	≤ 2.0 V at 200 mA
No-load supply current	≤ 10 mA
Leakage current	≤ 0.1 mA
Switching frequency	≤ 15 Hz
Time delay before availability	≤ 50 msec.
LED (0 ... s_r)	on
Ambient temperature range T_A	$-25 \dots + 85\text{ }^\circ\text{C}$
Temperature drift of s_r	$\leq 10\%$
Pressure resistance in "P" area	80 bar max.
Short-circuit protection	built-in
Voltage reversal protection	built-in
Induction protection	built-in
Shocks and vibration	IEC 60947-5-2 / 7.4
Cable length	300 m max.
Weight	15 g
Degree of protection	IP 68 & IP 69K
EMC protection: IEC 60947-5-2 (7.2.3.1)	1 kV
IEC 61000-4-2	Level 3
IEC 61000-4-3	Level 3
IEC 61000-4-4	Level 3
Housing and sensing face material	stainless steel (V2A / 1.4305 / AISI 303)
Sensing face thickness	0.25 mm
Connection	S8

Installation (Fig. 1):



Correction factors for target of*:

Steel FE 360	1.0	copper	1.0	aluminum	1.0	brass	1.3	stainless steel 1mm / 2mm thick	0.4 / 0.7
--------------	-----	--------	-----	----------	-----	-------	-----	---------------------------------	-----------

Correction factors for embeddable mounting (Fig. 1) in support of*:

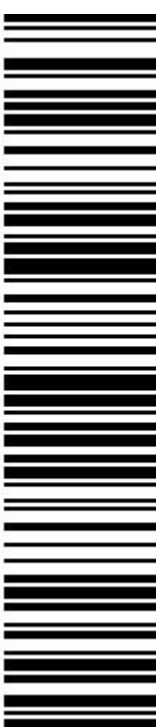
Steel FE 360	0.9	aluminum	0.9	brass	0.75	stainless steel	0.8	"Quicktube"	0.9
--------------	-----	----------	-----	-------	------	-----------------	-----	-------------	-----

APPLICATION NOTE

- Product not intended for safety applications
- Operators of the product are responsible for compliance with measures relating to the protections of persons, equipment, electrical standards and environmental regulations.

WELD DYNAMIX Z-PROX

DESIGNED FOR WELD CELLS



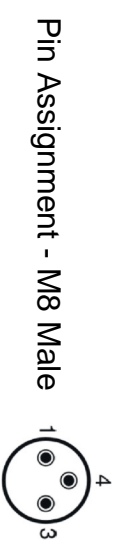
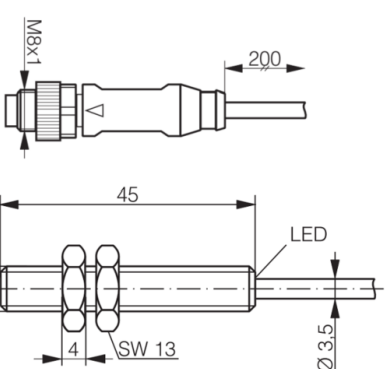
WSI-0803-SACZ

M8 Inductive Proximity Sensor Weld Immune - 3mm Sn - Embeddable

Weld-immune full-metal sensor

Main features:

- Long operating distance: 3 mm on steel and aluminum
- Resistant to medium frequency magnetic fields (current up to 15 kA)
- Resistant to 50 Hz magnetic fields up to 40 mT
- Extremely robust: one-piece stainless steel housing and sensing face
- F 1 (Factor 1) Sensing all metals



PNP

