



INSTRUCTIONS MANUAL

TYL-BTPL506

2in1 RECHARGEABLE LED **SPOTLIGHT & LANTERN** with **POWERBANK**

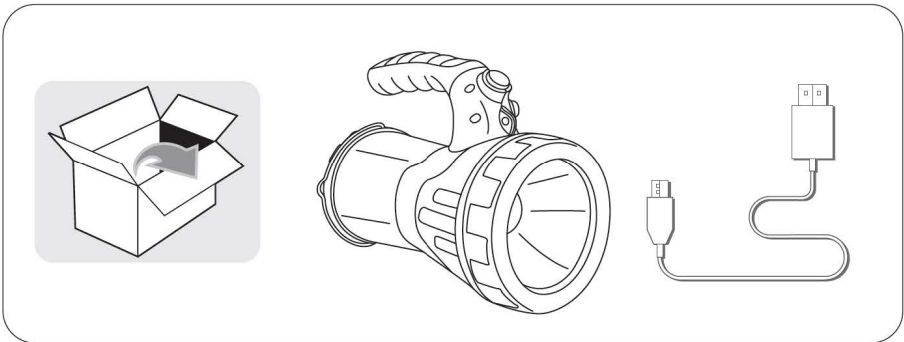
Illuminate your way and power up on the go



www.tylrhome.com

IMPORTANT REMINDERS

1. Carefully read all instructions before use and save for future reference.
2. Before using the lantern for the first time, fully charge for about 6-8 hours.
3. Make sure to turn off the lantern before recharging.
4. To avoid eye injury, do not shine the light beam directly to anyone's eyes.
5. Use the USB charging cable provided to charge the spotlight.
6. Charge in a cool, well ventilated area.
7. After an extended period of storage (more than 3 months), recharge for at least 4-5 hours.
8. Keep away from direct sunlight, and store in a cool place with low humidity.



OPERATING YOUR SPOTLIGHT

Spotlight



Press the spotlight button to select mode: High – Low – Off.



Lantern



Press the lantern button to select mode: High – Low – Off.



Using the Pivoting Handle

The pivoting handle allows for both pistol grip and carry handle use.

To pivot the handle, push and hold down the “PUSH” button on the side of the handle. While keeping this button held down, rotate the handle in either direction until it clicks into the new position.



Using the Collapsible Hook

Lift the hooks at the base of the flashlight for hanging.

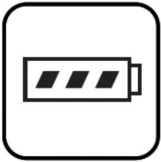


CHARGING THE BATTERY

Lift the cover to expose the charge ports. Plug the small end of the micro-USB charging cable (included) into the port on the flashlight. Plug the opposite end of the charging cable into a USB power source.



The blue battery indicator lights will light up to indicate that the flashlight is charging. The flashlight is fully charged when all 3 battery indicator lights are lit.



Battery power indicator:

3 blue lights on: 100%; 2 blue lights on: 65%; 1 blue light on: 35% (when this blue light flashes, recharging is needed).

The flashlight will turn on and can be used while charging. The rechargeable battery is sealed, and replacement is not necessary.

The flashlight has a charge time of approximately 8 hours.

CHARGING EXTERNAL DEVICES

To use as a power bank, plug the charging cable into your device (micro USB end), then plug the standard USB end into the standard USB port on your searchlight.

