



INSTRUCTIONS MANUAL

TYL-1617RDC

2in1 16" DC STAND FAN

Quiet, energy-efficient cooling for your homes



www.tylrhome.com

Table of Contents

IMPORTANT SAFETY INSTRUCTIONS.....	2
PARTS AND FEATURES.....	4
HOW TO ASSEMBLE.....	6
HOW TO OPERATE	8
CARE AND MAINTENANCE.....	9
WARRANTY TERMS AND CONDITIONS	10

IMPORTANT SAFETY INSTRUCTIONS

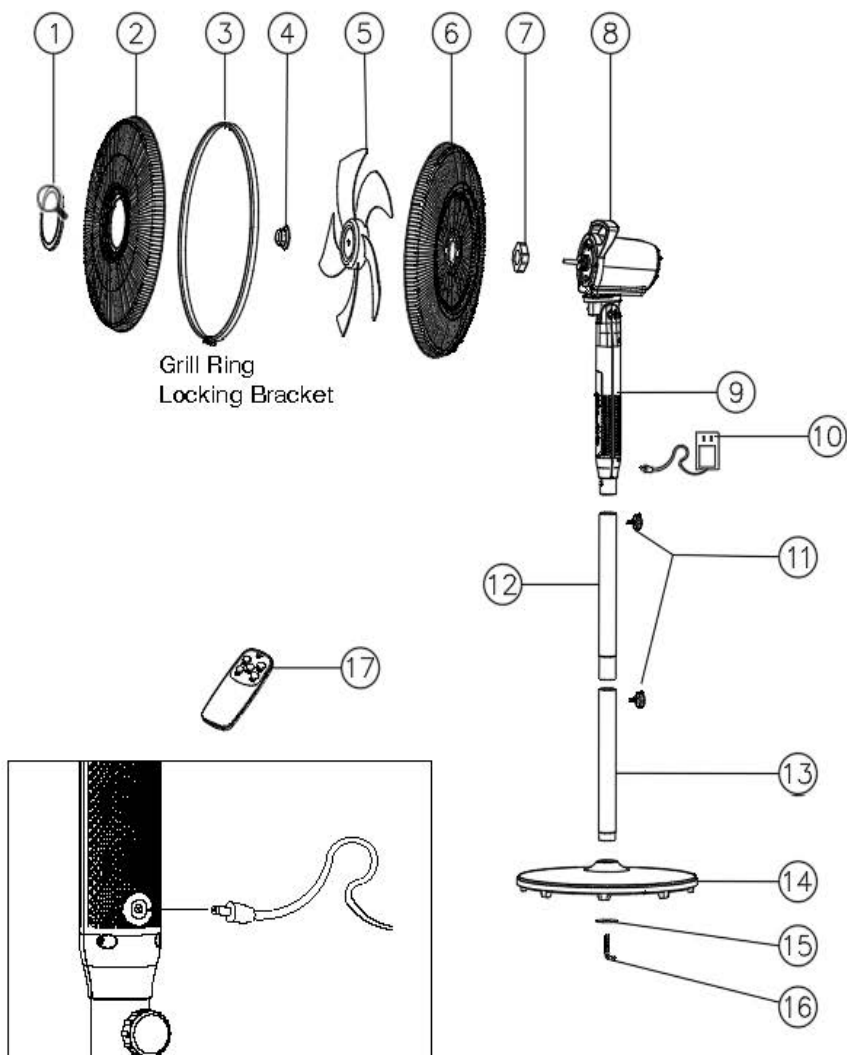
Read this instruction manual thoroughly before using the appliance and save it for future reference. When using electrical appliances, basic safety precautions should be followed, to reduce the risk of fire, electrical shock, and personal injury.

- Check if the electrical specifications of this appliance are compatible with your installation.
- To protect against the risk of electrical hazard, do not immerse in water or other liquids.
- This appliance is for indoor use only.
- Do not place objects on top of the unit.
- Do not use near water.
- This appliance is for indoor use only.
- Do not place objects on top of the unit.
- Do not unplug the unit if your hands are wet as electrical shock could occur.
- Do not carry the appliance while it is in operation.
- Place it on a secure and level area. Keep out of reach of children to prevent any accidents.
- Do not place any object into the appliance. Do not disassemble the appliance.
- This appliance can be used by children aged from 8 years and above and persons with reduced physical, sensory, or mental capabilities or lack of experience and knowledge if they have been given supervision or instruction concerning use of the

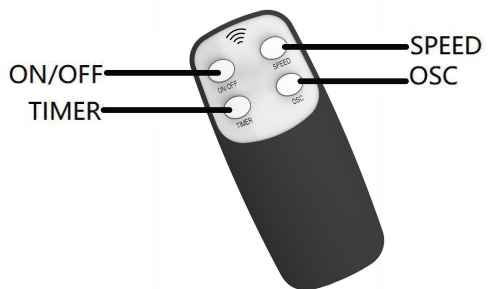
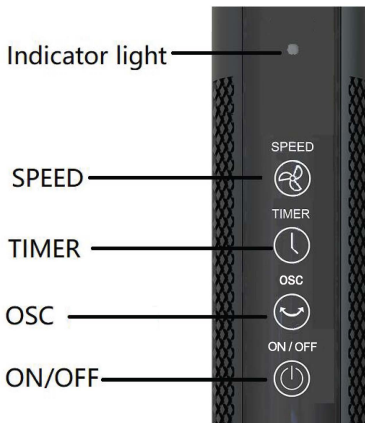
- appliance in a safe way and understand the hazards involved. Children shall not play with the appliance. Cleaning and user maintenance shall not be made by children without supervision.
- If the supply cord is damaged, it must be replaced by the manufacturer, its service agent, or similarly qualified persons in order to avoid a hazard.

**SAVE THESE INSTRUCTIONS.
FOR HOUSEHOLD USE ONLY.**

PARTS AND FEATURES



- | | | | |
|----|--|----|----------------|
| 1 | Front Grill Cap | 11 | Locking Screws |
| 2 | Front Grill | 12 | Upper Pole |
| 3 | Grill Ring (attached to the Front Grill) | 13 | Lower Pole |
| 4 | Blade Nut | 14 | Base |
| 5 | Blade | 15 | Washer |
| 6 | Rear Grill | 16 | L-screw |
| 7 | Rear Grill Nut | 17 | Remote Control |
| 8 | Motor Head/Main Unit | | |
| 9 | Control Panel | | |
| 10 | Adapter | | |



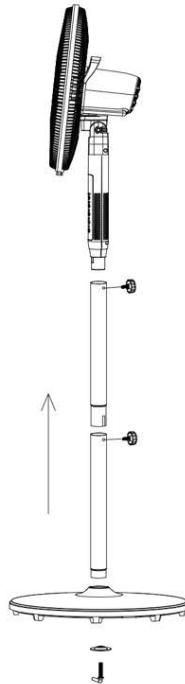
HOW TO ASSEMBLE

CAUTION: Unplug the fan before assembly.

1. The fan can be used either as a floor standing fan, or a desk top fan.

Floor Standing Mode

Insert lower pole into the base. Lock in place with the washer and the L-screw. Insert upper pole into the lower pole and secure with a locking screw. Then insert the fan head/motor unit into the upper pole and secure with another locking screw.



Desktop Mode

Insert the fan head/motor unit directly into the base. Lock in place with the washer and the L-screw.



2. Position rear grill onto the front of the motor head, then fasten securely with the rear grill nut.
3. Mount fan blade onto the motor shaft and fasten tightly with blade nut in a counterclockwise direction.
4. Attach front grill to rear grill and hold in place with the grill ring locking bracket, secured with the locking screw.

HOW TO OPERATE

Insert AC adaptor into wall outlet and connect the other end to the main unit. The fan will be in standby mode when plugged in.

1. **ON/OFF Button**

Turn on the fan by pressing the ON/OFF button on the main unit control panel, or on the remote control. Default speed setting is 1.

2. **SPEED Button**

Control fan speed by pressing the SPEED button on the main unit control panel, or on the remote control. 1 is the lowest speed and 9 is the highest speed.

3. **TIMER Button**

Set the fan timer in 1-hour increments (for a maximum of 9 hours) by pressing the TIMER button on the main unit control panel, or on the remote control. The LCD display will show the set time and then switch to showing the speed setting after 10 seconds. After timer has been set, timer starts to run and fan automatically shuts off once time ends.

4. **OSC Button**

To start or stop fan oscillation, press the OSC button on the main unit, or on the remote control.

CARE AND MAINTENANCE

Over time, dust can accumulate on the front and rear grills and fan blades, which can affect the fan's performance. Clean the fan at least once a month.

1. Turn the unit OFF and disconnect from the power outlet before removing the front and rear grills.
2. Remove any dust build-up with a soft brush or cloth. Deposits of dust can also be removed using a vacuum cleaner, ensuring that the air vents and grills remain free from dust to prevent overheating.
3. Clean the grill surface with a soft damp cloth. Mild detergent can be used for any stubborn marks. **Do not** use abrasive sponges, scouring pads, or a stiff brush to clean this product. Do not use harsh chemicals or abrasive cleaners.
4. **DO NOT IMMERSE THE FAN IN WATER.** Do not allow water to run into the interior of the fan, as this can cause an electric shock.
5. The motor unit is sealed and does not require any interior maintenance, cleaning, or lubrication.

WARRANTY TERMS AND CONDITIONS

ONE-YEAR LIMITED WARRANTY ON PARTS AND LABOR

TYLR provides a warranty to the original purchaser of this product against defects in materials and workmanship for one year. If a product covered by this warranty is determined to be defective within the warranty period, **TYLR** will repair or replace the defective part with a new or remanufactured part free of charge subject to terms and conditions stated herein.

To obtain warranty service, proof of purchase in the form of a sales invoice or copy thereof is required to show that a product is within the warranty period. If any one of the documents cannot be produced, corresponding fees for labor and replacement parts will be charged.

Parts and Labor

There will be no charge for parts and labor during the warranty period. Replacement parts or units may be new or recertified and are upon **TYLR's** option and sole discretion. Replacement parts and units are warranted for the remaining portion of the original warranty. Our decision on all questions relating to complaints as a result of defects, either workmanship or materials, shall be conclusive and you shall agree to abide by such decision. Any unit or defective part that have been replaced shall become **TYLR's** property. After the lapse of this warranty, a charge will be made on all labor and replacement of parts.

Types of Services

Defective Products must be sent to any **TYLR** service center to obtain warranty service. **TYLR** is neither responsible for transportation costs to the service center nor **TYLR** will cover return shipping to the customer. Product returns to **TYLR** service centers must utilize either the original carton box and shipping material or packaging that affords an equal degree of protection.

For home service, the transportation fee of **TYLR** service personnel will be charged to the customer, depending on the location. Our service personnel reserve all rights to refuse to attend to any equipment installed in an inaccessible location or any other hazardous situation.

LIMITATIONS AND EXCLUSIONS

TYLR one-year limited warranty only covers defects in materials and workmanship; however, this warranty does not cover the following:

1. Damage resulting from accidents, transport, misuse, abuse, alteration, tampering, or failure of the purchaser to follow normal operating procedures outlined in the user's manual.
2. Damage caused by negligence and poor maintenance.
3. Defects or damage due to spillage of food/liquids or improper usage of electrical supply or electrical circuit, major fluctuations in voltage, exposure to rain or moisture, wrong fuel or oil used.
4. Damage, losses, and defects as a result of fire, flood, or other Acts of God.
5. Normal wear-and-tear, corrosion, rusting, or stains.

6. Defects & damage arising from improper testing, operation, usage of the wrong component, demonstration, maintenance, installation, adjustment, or any alteration or modification of any kind.
7. Scratches & damage to the outer surface areas and externally exposed parts that are due to normal customer use.
8. General maintenance & routine servicing.
9. Claims for damaged/missing parts after 7 days from the date of purchase.
10. If any part or parts of the unit are replaced with a part or parts not supplied or approved by us, or if the unit has been dismantled or repaired by any person other than a **TYLR** authorized technician.
11. Any equipment/product which has its serial number removed or made illegible/tampered with.
12. If the warranty card is altered, defaced, or erased in any manner whatsoever.
13. If the unit is used for purposes other than household use, such as commercial use.

The one (1) year warranty covers the mainboard and control PCB, motor, power supply. However, this warranty does not cover parts (i.e., accessories, front and rear cover, tray, rack, fan blade, tower blade, poles, remote control, fuse, gears, plastic cover, interior and exterior casing) that are subject to wear and tear, rust, stains, or corrosion.

This limited warranty does not cover Products sold **“AS IS”**, **“FACTORY RECTIFIED”**, or by a non-authorized reseller.

THERE ARE NO EXPRESS WARRANTIES OTHER THAN THOSE LISTED OR DESCRIBED ABOVE. ANY IMPLIED WARRANTIES, INCLUDING ANY IMPLIED WARRANTY OF MERCHANTABILITY AND FITNESS FOR A PARTICULAR PURPOSE, SHALL BE LIMITED IN DURATION TO THE PERIOD OF TIME SET FORTH ABOVE. **TYLR'S** TOTAL LIABILITY FOR ANY AND ALL LOSSES AND DAMAGES RESULTING FROM ANY CAUSE WHATSOEVER INCLUDING **TYLR'S** NEGLIGENCE, ALLEGED DAMAGE, OR DEFECTIVE GOODS, WHETHER SUCH DEFECTS ARE DISCOVERABLE OR LATENT, SHALL IN NO EVENT EXCEED THE PURCHASE PRICE OF THE PRODUCT. **TYLR** SHALL NOT BE RESPONSIBLE FOR LOSS OF USE, COMMERCIAL LOSS, LOST REVENUE OR LOST PROFITS, OR OTHER INCIDENTAL OR CONSEQUENTIAL DAMAGES. THIS WARRANTY IS SUBJECT TO CHANGE WITHOUT NOTICE.

IMPORTANT: Please present sales invoice as proof of purchase whenever you require our service during the warranty period.

www.tylrhome.com