

**BAUMANN
LIVING**

AUTOMATIC DIGITAL

cold brew coffee maker

Your custom cup brewed better



BM-SF956

INSTRUCTIONS MANUAL

www.baumannliving.com

TABLE OF CONTENTS

IMPORTANT SAFEGUARDS	3
PARTS AND FEATURES	5
BEFORE FIRST USE.....	6
USING YOUR COLD BREW COFFEE MAKER	6
Chill Cycle Program	8
CLEANING AND MAINTENANCE	9

IMPORTANT SAFEGUARDS

When using electrical appliances, basic safety precautions should always be followed, including the following:

- 1. READ ALL INSTRUCTIONS.**
2. Remove all bags and packaging from appliance before use.
3. Wash and dry appliance thoroughly before use.
4. Unplug the appliance before disassembling, cleaning, and when not in use.
5. All parts must be properly assembled before use.
6. To protect against risk of electrical shock, never immerse cord, plug, or main unit into water or any other liquid.
7. Operate appliance on a stable and dry surface only.
8. Do not operate appliance with a damaged cord or plug. If the appliance malfunctions or is damaged, return appliance to supplier for examination, repair, or electrical and/or mechanical adjustment.
9. Refrain from using attachments that are not recommended by the appliance manufacturer, as this may result in fire, electric shock or personal injury.
10. Do not use outdoors. This appliance is intended for indoor and household purposes only.
11. This appliance is not intended for use by persons (including

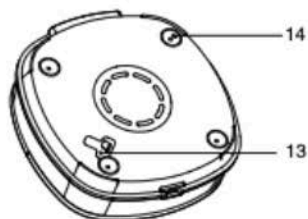
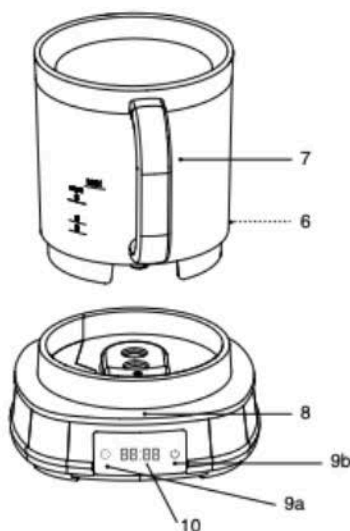
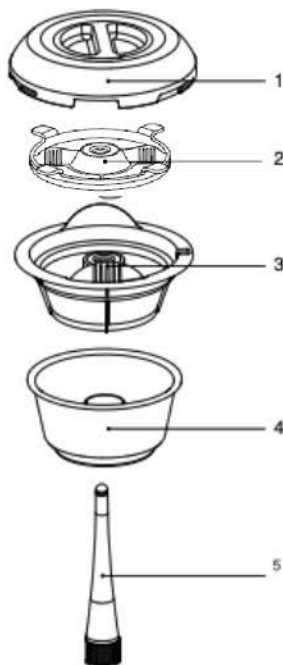
children) with reduced physical, sensory, or mental capabilities, or lack of experience and knowledge unless they are provided with supervision and instruction concerning use of the appliance by a person responsible for their safety.

12. Never immerse the main unit in water or any other liquid; instead, wipe the surface with a soft, damp cloth and then dry thoroughly.
13. Children should be supervised to ensure that they do not play with the appliance.
14. Always be sure to unplug the appliance from outlet prior to assembly, disassembly, cleaning, and storage.
17. This appliance is intended for household use ONLY; It is not for commercial or industrial use.
18. Always unplug appliance if left unattended.
19. Check and make sure voltages and currents of the appliance are compatible with the power supply.
- 20. USE ONLY COLD OR ROOM TEMPERATURE WATER.
NEVER USE HOT WATER.**

**SAVE THESE INSTRUCTIONS.
FOR HOUSEHOLD USE ONLY**

PARTS AND FEATURES

- 1 Lid
- 2 Filter Cover
- 3 Coffee Filter Basket
- 4 Ice Basket
- 5 Removable Spray Tube
- 6 Spray Tube Connector (not shown)
- 7 Carafe
- 8 Base
- 9 Control Panel & Display
 - a. Timer Button with 4 presets
 - b. Start/Stop Power Button
- 10 Digital Timer Display
- 11 Adapter (*not included*)
- 12 USB Cable
- 13 Drain Plug
- 14 Suction Feet



BEFORE FIRST USE

1. Remove all packaging.
2. Wash and dry all parts thoroughly.

USING YOUR COLD BREW COFFEE MAKER

1. Install the Spray Tube into the tube connector in the carafe, and turn it clockwise to lock into place.
NOTE: *Ensure that the Drain Plug under the Base is closed..*
2. Fill the carafe with cold or room temperature water, according to the coffee chart.
NOTE: *Do not fill water past the MAX marking.*
3. Attach carafe to the Base.
4. Add the ground coffee into the Coffee Filter Basket and place Basket onto the Spray Tube and press down. Ground coffee amounts are in the chart on page 7.
5. Ensure that there is no ground coffee on or around the top of the Spray Tube. Place the Filter Cover onto the Spray Tube over the Filter Basket. Press the Filter Cover down into position.
NOTE: *To avoid ground coffee blocking the pump, always use the Coffee Maker with the Filter Cover in position.*
6. Place the Lid onto the carafe by lining up the left arrow on the Lid with the center of the handle (arrow printed on the rim) on the

carafe. Turn the Lid clockwise to lock into position indicated by the arrow on the right.

7. Plug the USB connector into the slot at the back of the Base, then plug the Adapter into the wall outlet. The control panel will display 00:00.
8. Set the brewing strength time by tapping the Timer button on the Control Panel. There are 4 preset times for the brew strengths.

Time (in minutes)	Brew Strength
10	Light
20	Medium
30	Bold
40	Concentrate

9. Tap the START/STOP button to begin the brew cycle. If you want to increase the brewing time by a few minutes between each of the preset times start the brew cycle, touch the Timer button to increase the previously set time by 1 minute increments.

To cancel the brewing cycle, tap the START/STOP button.

10. When the brewing cycle has finished, the display will stop the countdown and 00:00 will flash, signaling that the coffee is ready to be served, or you can proceed to the Chill Cycle program. Coffee can also be stored in the refrigerator for later use.
11. Proceed to the Chill Cycle program or unplug the unit from the wall outlet.

Coffee Brewing Ratios

Water level	Ground Coffee Qty.
450 ml	40 g
600 ml	50 g
750 3.	55 g
1050 (MAX)	60 g

Chill Cycle Program

1. Once the coffee has brewed, open the Lid and remove the Filter Cover and Coffee Filter Basket.
2. Place ice in the Ice Basket, then place onto the Spray Tube. Press down. Cover with the Filter Cover and press down into position.
NOTE: *The Filter Cover allows coffee to distribute evenly over the ice.*
3. When the display is still flashing 00:00, press and hold the Timer button until the display shows CH:LL indicating that the coffee maker is in the Chill cycle. Tap the START/STOP button to start. The Chill cycle will run for 8 minutes. The Control Panel will display 00:00 when the Chill cycle is complete.
4. Unplug from the wall outlet.

CLEANING AND MAINTENANCE

1. Discard coffee from the Coffee Filter Basket.
2. Fill the carafe with cold water to the MAX line. Set the timer for 10 minutes and allow the water to run through for a few minutes to clean the pump in the Base. Press the START/STOP button after 2–3 minutes.
3. Unplug the Coffee Maker from the wall outlet.
4. Remove the carafe and empty the water.
5. Remove the Spray Tube by turning counter clockwise and lifting straight up.
6. Wash the Lid, Filter Cover, Coffee Filter Basket, Ice Basket, Spray Tube and carafe in warm soapy water. Rinse and dry thoroughly. NEVER immerse the Base in water.
7. On the bottom of the Base there is a small T-shaped silicone Drain Plug (see drawing below). Hold the Base over a sink and lift the Drain Plug so that the water/coffee can drain from the pump and pipes inside the Base.

IMPORTANT: The Drain Plug MUST be closed after cleaning.

8. Wipe the Base with a damp cloth and dry. NEVER run water over the Base.

