



tempered glass top warming tray

Perfect for entertaining, holiday, family gatherings and everyday use



BM-ES5001

INSTRUCTIONS MANUAL/ GEBRAUCHSANWEISUNG

www.baumannliving.com

TABLE OF CONTENTS

IMPORTANT SAFEGUARDS	3
PARTS AND FEATURES	7
BEFORE FIRST USE	8
USING YOUR WARMING TRAY	8
Important Details to Remember	9
CLEANING AND MAINTENANCE	10

IMPORTANT SAFEGUARDS

When using electrical appliances, basic safety precautions should always be followed, including the following:

1. Do not use the Warming Tray for other than its intended use.
2. Do not use outdoors or for commercial purposes.
3. Do not operate any electrical appliance with a damaged power cord or power plug, or operate it after the appliance malfunctions or has been dropped or damaged in any manner. In such cases, contact Customer Service for assistance.
4. The use of accessory attachments not recommended by the manufacturer may result in fire, electrical shock or injury to persons.
5. Keep out of reach of children.
6. Never leave Warming Tray unattended when children are present.
7. Close adult supervision is necessary when any appliance is used near children.
8. The Warming Tray should not be used by children.
9. Always place the Warming Tray on a flat, sturdy surface. Keep at least 8 inches of space between the Warming Tray and other objects to avoid interruption of airflow underneath the unit. Do not block airflow from under the unit.
10. Do NOT place appliance on or near a hot gas or electric burner, or in a heated oven.

11. Only place this unit on heat resistant surfaces. Some heat resistant surfaces include granite, stainless steel, quartz, marble, glass, soapstone, travertine and limestone.
12. Do NOT place this unit on non-heat resistant surfaces.
13. Do NOT use this unit on the following surface materials: Butcher block, wood, recycled material, bamboo and plastic.
Note: This list is only meant to be a guide and is not exclusive to the materials mentioned above. Check with your counter or table manufacturer to make sure the surface is heat resistant before using this unit on the desired surface.
14. Do not place this unit on a wet surface or near any flammable objects.
15. Never immerse this unit or power cord in water or any other liquid.
16. Do not allow water to seep into the unit frame or allow heating elements to come into contact with water.
17. Do not let cord hang over edge of table or counter or allow it to come into contact with hot surfaces, such as a stove.
18. **CAUTION:** Do NOT cover surface or side vents. Covering this unit can cause a fire hazard. Covering this unit with aluminum foil can cause glass to shatter.
19. **CAUTION:** Unit gets HOT. Use cool-touch handles and knobs provided. Do NOT touch Warming Tray surface. Always use hot pads or potholders until unit cools.
20. **CAUTION:** Do NOT place non-heat resistant objects or containers on this Warming Tray. Some non-heat resistant objects include plastic containers.

21. DO NOT USE PLASTIC DISHES, CONTAINERS OR PLASTIC WRAP ON WARMING TRAY.
22. Some examples of heat resistant cookware that may be placed on the Warming Tray surface include stainless steel and aluminum pots and pans. Check with your cookware manufacturer to make sure your cookware and utensils are heat resistant before placing on the unit.
23. Do not move this unit while in use.
24. This Warming Tray can be kept on up to 72 hours. Do not use for prolonged periods of time.
25. Do not leave Warming Tray unattended when in use.
26. Unplug the Warming Tray from the outlet when not in use and before cleaning.
27. Allow Warming Tray to cool before cleaning.
28. Do not use abrasive cleaning agents or scouring pads when cleaning the Warming Tray.
29. Do NOT place Warming Tray in dishwasher.

**SAVE THESE INSTRUCTIONS
FOR HOUSEHOLD USE ONLY**

SHORT CORD INSTRUCTIONS

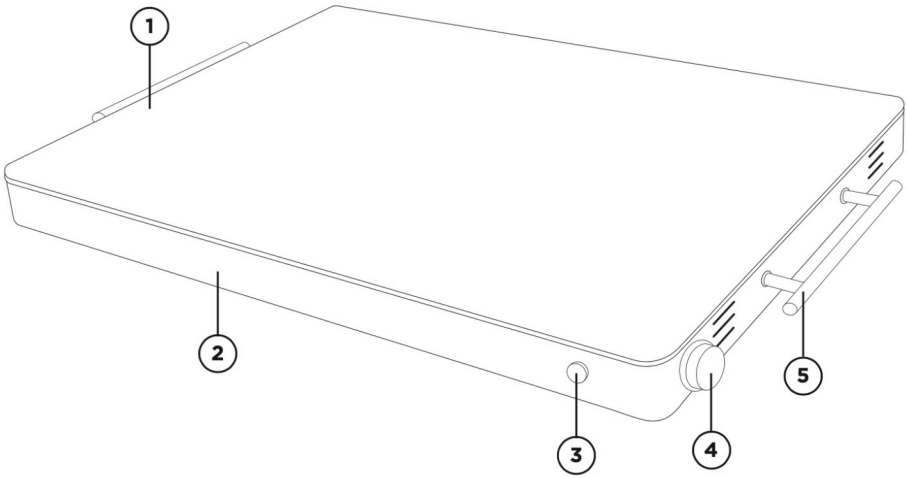
A short power supply cord is provided to reduce the hazards of entanglement or tripping. Longer detachable power-supply cords or extension cords are available and may be used if care is exercised in their use. If a longer detachable power-supply extension cord is used:

1. The marked electrical rating of the cord set or extension cord should be at least as great as the electrical rating of the appliance.
2. The cord should be arranged so that it will not drape over the countertop or tabletop where it can be pulled on by children or tripped over unintentionally.

LINE CORD SAFETY TIPS

1. Never pull or yank on cord or the appliance.
2. To insert plug, grasp it firmly and guide it into outlet.
3. To disconnect appliance, grasp plug and remove it from outlet.
4. Before each use, inspect the line cord for cuts and/or abrasion marks. If any are found, this indicates that the appliance should be serviced and the line cord replaced. Please contact Customer Service if damage is found.
5. Never wrap the cord tightly around the appliance, as this could place undue stress on the cord where it enters the appliance and cause it to fray and break.

PARTS AND FEATURES



- 1- Tempered glass top surface
- 2- Stainless steel frame
- 3- Power On indicator light
- 4- Temperature control dial
- 5- Cool-touch handles

BEFORE FIRST USE

Remove all packing materials and stickers from the Warming Tray. Gently wipe down with a damp cloth or paper towel. Do not use abrasive cleaning agents or scouring pads.

Never immerse the Warming Tray, its cord, or plug in water or any other liquid. The Warming Tray is NOT dishwasher safe. Do not allow water to seep into the unit frame or allow heating elements to come into contact with water.

Read all instructions and follow them carefully.

USING YOUR WARMING TRAY

1. Place the Warming Tray on a flat, sturdy, heat resistant surface. Ensure it is at least 8 inches away from all objects and sources of liquid.
2. Plug in the Warming Tray. Use the temperature control dial to select a temperature (Low: 49°C, Med: 90°C and High: 130°C). Once a temperature is selected, the power on indicator light will illuminate.
3. Once the Warming Tray is warm, place heat resistant container (such as a pot, pan, or tempered glass container) with already cooked food on top.

4. Keep food warm for desired amount of time. Never leave food and Warming Tray unattended.
5. When done, turn temperature control dial to OFF.
6. Unplug Warming Tray.

Important Details to Remember

1. The Warming Tray is not a cooking appliance. It is designed to keep already-cooked food warm. It is NOT designed to cook food.
2. Only use containers that are heat resistant to keep foods warm on the Warming Tray. Plastic containers or other materials that are not heat resistant may melt and cause damage to the Warming Tray and result in risk of burning or fire.
3. Never place any non-heat resistant items, such as plastic utensils, on or near the Warming Tray.
4. Never cover the Warming Tray or any parts of the Warming Tray with any materials, such as foil, plastic or cloth.
5. Never move the Warming Tray when it is in use or when items are on top of it.

CLEANING AND MAINTENANCE

1. When the Warming Tray is unplugged and completely cool, use a damp cloth to wipe surface clean. Gently wipe down with a damp cloth or paper towel. Do not use abrasive cleaning agents or scouring pads.
2. Never immerse the Warming Tray, its cord or plug in water or any other liquids. The Warming Tray is NOT dishwasher safe. Do not allow water to seep into the unit frame or allow heating elements to come into contact with water.
3. Dry completely.
4. Store in a cool, dry place.