

BAUMANN

stand mixer

Mix, knead and whip ingredients together with ease

BM-FP9071GS



INSTRUCTIONS MANUAL

www.baumannliving.com

TABLE OF CONTENTS

IMPORTANT SAFEGUARDS	1
PARTS AND FEATURES	4
BEFORE FIRST USE	6
SPEED SETTINGS	6
HOW TO OPERATE.....	7
AFTER USE.....	8
CLEANING AND CARE	9
STORAGE	10
TROUBLESHOOTING	10

IMPORTANT SAFEGUARDS

When using this electrical appliance, basic safety precautions should always be followed:

1. The appliance should only be connected to a correctly installed power socket. Ensure that the rating for your local power supply corresponds with the details on the rating plate of the appliance.
2. Ensure that the power cable does not become wet or moist during use. Route the cable in such a way that it cannot be crushed or damaged.
3. Keep the power cable away from hot surfaces.
4. Do not perform any repairs to the appliance. All repairs must be performed by our Customer Service Unit or by a qualified specialist technician.
5. Remove the plug from the main power socket when the appliance is being cleaned or in the event of a fault. Just switching off the appliance is not sufficient, as the appliance is subject to mains voltage as long as the plug is connected to the mains power socket.
6. Always remove the plug from the mains power socket when the appliance is not in use.
7. If the supply cord is damaged, it must be replaced by the manufacturer, or its service agent, or a similarly qualified person in order to avoid a hazard.
8. The appliance and its connecting cable must be kept away from children.
9. Never immerse the appliance in water or other liquids.

10. Always disconnect the appliance from the mains power supply when fitting or removing accessories. This will prevent unintentional activation of the appliance.
11. The appliance will restart after any power outage!
12. The appliance should always be disconnected from the mains when unattended and before assembly, disassembly or cleaning.
13. This appliance should not be used by children.
14. Use only the original accessory parts for this appliance. Accessory parts from other manufacturers may not be suitable, and this may lead to risks!
15. This appliance may be used by persons with limited physical, sensory or mental capabilities or lack of experience and knowledge, provided that they are under supervision or have been told how to use the appliance safely and are aware of the potential risks.
16. Children must not play with the appliance.
17. Never use the appliance for purposes other than those described in these instructions. Otherwise there is a risk of serious injury!
18. Do not change accessories unless the drive unit is entirely at a standstill and the mixer is unplugged from the power supply! The appliance will run on for a short time after being switched off!
19. Never leave the appliance unattended!
20. Before replacing any accessories or additional parts that move during operation, the appliance must be switched off and disconnected from the mains power.

21. While the appliance is in operation, do not put anything other than the ingredients to be processed into the mixing bowl.
22. To avoid injuries or damage to the appliance, do not put your hands or any foreign objects into the filling accessory.
23. Do not operate the appliance without ingredients. Risk of overheating!
24. Never fill the appliance with hot ingredients!

SAVE THESE INSTRUCTIONS. FOR HOUSEHOLD USE ONLY.

PARTS AND FEATURES

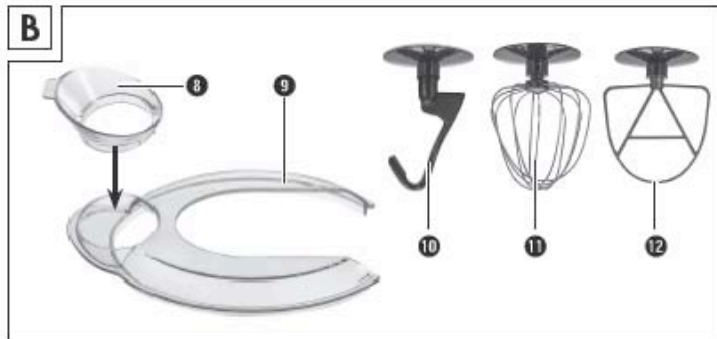


Figure A:

- 1 Swivel arm
- 2 Release button
- 3 Rotary switch
- 4 Power cable
- 5 Base
- 6 Mixing bowl
- 7 Drive shaft

Figure B:

- 8 Filling accessory
- 9 Splatter guard/Lid
- 10 Kneading hook
- 11 Whisk
- 12 Beater

BEFORE FIRST USE

1. Take all the parts out of the box and remove the packaging material and any protective wrapping or stickers.
2. Clean all components as described in the section "Cleaning and Care". Ensure that all parts are completely dry.
3. Place the appliance on a clean and level surface and attach it firmly in place with the suction cups.
4. Insert the power plug into the mains socket.

SPEED SETTINGS

Level	Use	Suitable for:
ON-2	Kneading hook Beater	- Kneading and mixing of firm dough or firmer ingredients
2-4	Beater	- Mixing thick cake mixture - Mixing butter and flour - Mixing yeast dough
2 - 3	Kneading hook	- Kneading yeast dough - Kneading thick cake mixture
4-6	Beater	- Cake mix - Whisking butter with sugar - Biscuit dough
6-7	Whisk	Whipped cream - Egg white - Mayonnaise - Whisking butter until fluffy




HOW TO OPERATE

WARNING! RISK OF INJURY!

- ▶▶ Never place your hands or fingers in the mixing bowl during operation!
Danger of injury due to rotating parts!
- ▶▶ Do not change accessories unless the drive is at a complete standstill!
After being switched off, the drive unit will continue to run for a short time.
- ▶▶ In cases of malfunction, switch the appliance off and remove the plug from the wall socket to prevent the appliance from being switched back on unintentionally.
- ▶▶ When working with the kneading hook, whisk or beater, we recommend allowing the appliance to cool down after 10 minutes of operation.

Please proceed as follows to prepare the appliance for operation with the kneading hook, whisk or beater:

1. Press the release button. The swivel arm moves upwards.
2. Insert the mixing bowl in such a way that the locking tabs on the mixing bowl grip into the recesses in the base. Turn the mixing bowl clockwise (see the symbols and on the base) so that it is locked and firmly held in place.
3. Select the appropriate attachment:

		
Whisk for whipping cream	Beater for stirring batter or cake mixture.	Kneading hook for kneading heavy doughs

4. Depending on what you want to do, fit the kneading hook, whisk or beater onto the drive shaft:
 - Fit the kneading hook, whisk or beater (hereafter “attachment”) onto the drive shaft so that the two metal pins on the drive shaft lock into the recesses on the attachment.
 - Push the attachment firmly onto the drive shaft so that the spring compresses and turn the attachment anticlockwise a little way (direction).
 - Let go of the attachment. It is now firmly attached to the drive shaft.
5. Add the ingredients you wish to process into the mixing bowl.

NOTE: *Please note that during the kneading or stirring process, the mixture in the mixing bowl increases in volume or is pressed upward slightly as a result of the movement. You should therefore never fill the mixing bowl right up to the top!*

6. Press the release button and press the swivel arm with the mounted attachment downwards into the working position.

NOTE: *If you wish, you can fit the filling accessory onto the lid:*

- *Press the filling accessory into the cut-out on the lid. Now you can add ingredients even during operation.*
7. Push the lid onto the mixing bowl.
 8. Turn the rotary switch to the required level (see the section “Speed Settings”).

AFTER USE

1. Turn the appliance off using the rotary switch (Position “OFF”).
2. Remove the lid from the mixing bowl.

3. Push the release button and move the swivel arm to the highest position.
4. Remove the attachment from the drive shaft by pushing the attachment against the drive shaft and turning clockwise (direction) at the same time. Then you can remove the attachment.
5. Remove the mixing bowl by turning it anticlockwise and then pulling it upwards.
6. Clean the appliance (see section "Cleaning and Care").

CLEANING AND CARE

WARNING! RISK OF INJURY!

- >> Before cleaning the appliance, disconnect the power plug from the mains power socket! There is a risk of electric shock!
- >> Never immerse the appliance in water or any other liquid!

NOTE:

- *Do not use abrasive or aggressive cleaning materials. These may damage the surfaces.*
- *We recommend cleaning the appliance directly after use. This makes food residue easier to remove.*

Cleaning the housing

Wipe the housing with a damp cloth. For stubborn soiling use a mild detergent on the cloth. Wipe off any detergent residue using a cloth moistened with clean water. Then dry the appliance carefully.

Cleaning the accessories

Clean the mixing bowl, the lid, the filling accessory and the kneading hook, the whisk and the beater in warm water with a little washing-up liquid. Any residues can be removed with a washing-up brush. Rinse all parts with

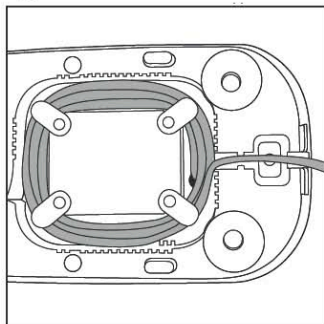
warm clean water and make sure that all parts are dry before re-using them.

NOTE:

- *The mixing bowl is also suitable for cleaning in a dishwasher.*

STORAGE

Wind the power cable around the cable retainer on the underside of the appliance.



Store the cleaned appliance in a clean, dust-free and dry location.

TROUBLESHOOTING

If the appliance suddenly stops working:

- The appliance has overheated and triggered the automatic safety cut-out.
 - Turn the rotary switch 3 to "OFF".
 - Remove the plug from the wall socket.
 - Allow the appliance to cool for 15 minutes.
 - If the appliance has not yet cooled off completely after 15 minutes, it will not start.
 - Wait a further 15 minutes and try switching on again.

If the appliance cannot be switched on.

- Check that the plug is correctly connected to a wall socket.
- Check whether the swivel arm is in the correct position