

BAUMANN

glass blender

Blend, crush and puree in seconds

BM-BL9319AGS



INSTRUCTIONS MANUAL

www.baumannliving.com

TABLE OF CONTENTS

IMPORTANT SAFEGUARDS 1

PARTS AND FEATURES 4

BEFORE FIRST USE..... 5

ASSEMBLY OF THE GLASS JAR 5

INSERTING THE GLASS JAR 6

OPERATING THE BLENDER 6

SPEED SELECTOR DIAL..... 7

AFTER USE 8

DISASSEMBLY OF THE GLASS JAR 8

BLENDING SPEED SELECTION GUIDE 10

IMPORTANT SAFEGUARDS

When using this appliance, basic safety precautions should always be followed, including the following:

1. Read all instructions before, and follow whilst using this appliance.
2. To protect against electric shock DO NOT immerse cord, plug or motor unit in water or any other liquid.
3. Do not use outdoors or in damp or moist areas.
4. This appliance is not intended for use by persons (including children) with reduced physical, sensory or mental capabilities, or lack of experience and knowledge, unless they have been given supervision or instruction concerning use of the product by a person responsible for their safety.
5. This appliance is not a toy. Young children should be supervised to ensure they do NOT play with the appliance.
6. Always turn off and unplug from the power outlet when not in use and before assembling, disassembling or cleaning.
7. To disconnect, set the controls to off. Turn off the wall power outlet, then grasp the plug and remove from the wall power outlet. Never pull by the cord.
8. Do not operate any appliance with a damaged cord or plug or after the appliance has malfunctioned, or has been dropped or damaged in any manner. Contact customer service for replacement, examination, repair or adjustment.
9. If the power cord is damaged, it must be replaced by the manufacturer or its service agent or a similarly qualified person in order to avoid a hazard.

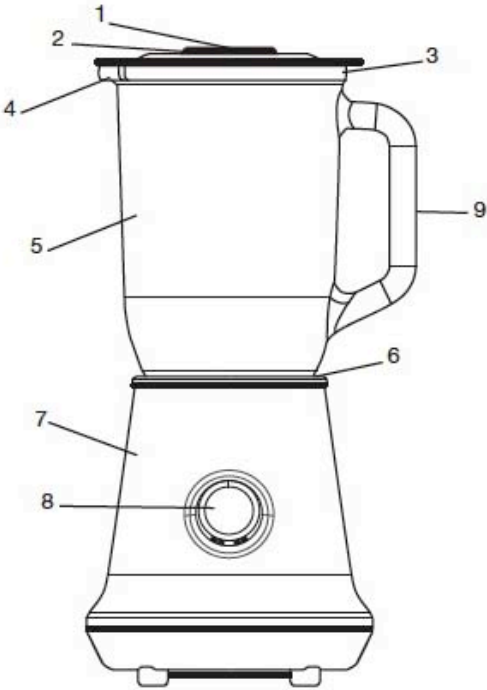
10. Do not use this appliance for other than its intended use. Using the appliance for other than its intended purpose may result in personal injury.
11. The motor must always be switched off before connecting to the mains supply.
12. Cutting blades are very sharp. Handle the blender and blade assembly with extreme care and caution when emptying the jar and during cleaning.
13. The motor will only operate if the glass jar has been fully inserted into the motor unit.
14. Before switching on, make sure that the glass jar has been assembled correctly and has been seated into the motor unit with the lid attached.
15. The blender is not to be operated with an empty glass jar.
16. Allow boiling liquids to cool before you pour them into the blender jar. Pouring boiling liquids into a cold glass jar could cause the jar to crack.
17. Switch off and unplug the appliance before changing accessories or touching parts that move whilst in use.
18. Average operating time is approximately 10 minute. If further blending is required, allow a rest/cooling period of 3 minutes between operations.
19. Do not use on an inclined plane or unstable surface.
20. Keep the blender and the power cord away from the edges of tables or countertops and out of reach of children and persons with disabilities.
21. Do not place the blender on or near any heat sources.
22. Do not use appliance for other than intended purpose.

23. Cleaning or user maintenance shall not be carried out by children without the supervision of a person responsible for their safety.
24. Do not operate from a timer or other remote control system.
25. Do not use alkaline cleaning agents or harsh abrasives when cleaning this appliance.

SAVE THESE INSTRUCTIONS

FOR HOUSEHOLD USE ONLY

PARTS AND FEATURES



FEATURES

- 1. Measuring cap
- 2. Lid opening
- 3. Lid
- 4. Pouring spout
- 5. Glass jar
- 6. Jar base / black outer ring
- 7. Motor unit
- 8. Speed selector dial
- 9. Handle

BEFORE FIRST USE

- All parts of the blender need to be thoroughly cleaned before being used for the first time. See "cleaning" section for disassembly instructions.

DO NOT USE ABRASIVE MATERIALS TO CLEAN THE SURFACE!

DO NOT IMMERSE THE WARMING TRAY OR PLUG IN WATER OR OTHER LIQUIDS!

ASSEMBLY OF THE GLASS JAR

- Invert the glass jar onto a level surface.
CAUTION: Be careful when handling the blade assembly.
- Fit the seal ring on to the blade assembly.

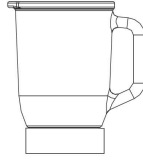


- Insert the blade assembly (with the seal ring fitted) into the black outer ring and turn it anti-clockwise until tight.

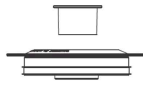
NOTE: The black outer ring is fixed to the jar and cannot be removed.



- Reposition the jar with its opening upwards.



- Place the measuring cap into the lid. Place the lid onto the jar with the large round tab covering the pouring spout and the small round tab aligned with the handle.



INSERTING THE GLASS JAR

- Check that the speed selector dial is set to '0' off.
- Place the jar assembly onto the motor unit, ensuring it is seated correctly.

OPERATING THE BLENDER

CAUTION: Do not place hot ingredients in the jar. Blending hot ingredients can result in a scalding hazard and/or breaking of the glass jar.

CAUTION: Do not fill above the 1500ml line. If you do, the contents may force the lid off when the motor starts.

- Place the ingredients you wish to blend into the glass jar.
- Fit the lid onto the jar, aligning the small round tab with the handle and large round tab with the pouring spout. Press down firmly.

- Insert the measuring cap into the opening of the lid, and press down firmly.
- Place your hand on top of the blender jar lid to hold the jar steady. Switch the motor unit on to the desired speed or pulse setting using the speed selector dial.

NOTE: Always place your hand on top of the blender jar lid to hold the jar steady when you are operating the device.

SPEED SELECTOR DIAL

'1' Position - For light usage with liquids

'2' Position - For more solid consistency (E.g. mixing liquids and solid foodstuffs)

'P' Position - For ice crushing & short pulses at high speed.

NOTE: You have to turn the 'P' pulse switch repeatedly

'0' Position - Off.

USEFUL TIPS

- When pureeing solid ingredients, place and blend small portions at a time, gradually adding more ingredients.
- When processing solid ingredients, cut them into small pieces (2-3cm) first.
- When blending liquids into solid ingredients, start off first with a small amount of liquid, gradually adding more liquid through the lid opening.
- Always place your hand on top of the blender jar lid to hold the jar steady when you are operating the appliance.
- For stirring solid or very thick liquid ingredients it is recommended that you use the blender set to 'P' pulse setting mode to prevent the blades from becoming stuck.

AFTER USE

- Turn the speed selector dial to the '0' off position and wait until the blades stop moving.
- Switch the power off and remove the plug from the wall power outlet.
- Lift the glass jar up to remove it from the motor unit.

DISASSEMBLY OF THE GLASS JAR

- Remove the lid from the glass jar
- Invert the glass jar onto a level surface.

CAUTION: Be careful when handling the blade assembly.

- Remove the blade assembly unit and seal ring from the the black outer ring by turning it clockwise.

NOTE: The black outer ring is fixed to the jar and cannot be removed.



- Remove the seal ring from the blade assembly.



- Now your jar is disassembled and all parts are ready to be cleaned thoroughly.
- All removable parts are dishwasher safe.
- Instructions for assembly of the jar parts can be found on page 5 under "assembly of the glass jar".

BLENDING SPEED SELECTION GUIDE

ACTION	SUGGESTED FOOD TYPE	SPEED SETTING
Aerating	Milkshakes	2
	Thickshakes	2
Blending	Fruit smoothies	2
	Cocktails	2
	Soups	2
	Curry pastes	1
Chopping	Chocolate	P
	Dried herbs	P
	Nuts	P
	Coffee beans	P
	Seeds	2
Combining	Marinades	1
	Mayonnaise	1
	Dressing and Sauces	1
Creaming	Butter and Sugar	1
Crumbing	Breadcrumbs	P
	Biscuits	P
Crushing	Ice cubes	P
Pureeing	Vegetables	2
	Fruits	2
Refining	Sugar	2