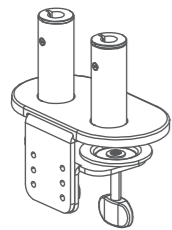


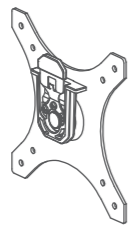
INSTALLATION HARDWARE

NOTES:

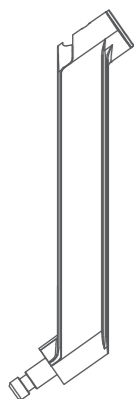
This item includes (10) M4 screws and (10) M5 screws (we have included 2 additional screws for each option). The screw option best suited will depend on the hole size on the backside of your monitor. Please select the best option to fit your specific monitor.



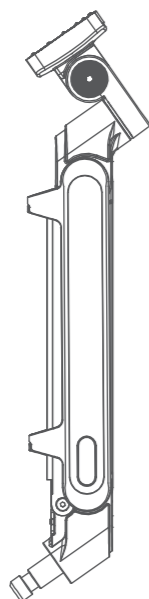
X 1



X 2



X 2



X 2



X 1(3 / 4 / 5 MM)



X 10 (M4)



X 10 (M5)

! WARNING

- * This item contains high-pressure gas spring components. To avoid injury, be sure to keep away from sources of high heat.
- * Be sure to read instructions carefully before assembly. Reach out to us directly for any questions or concerns.
- * Confirm worksurface is able to support the weight of the monitor arm and monitor prior to installation.
- * This product contains small parts. Please keep away from small children.

NOTES:

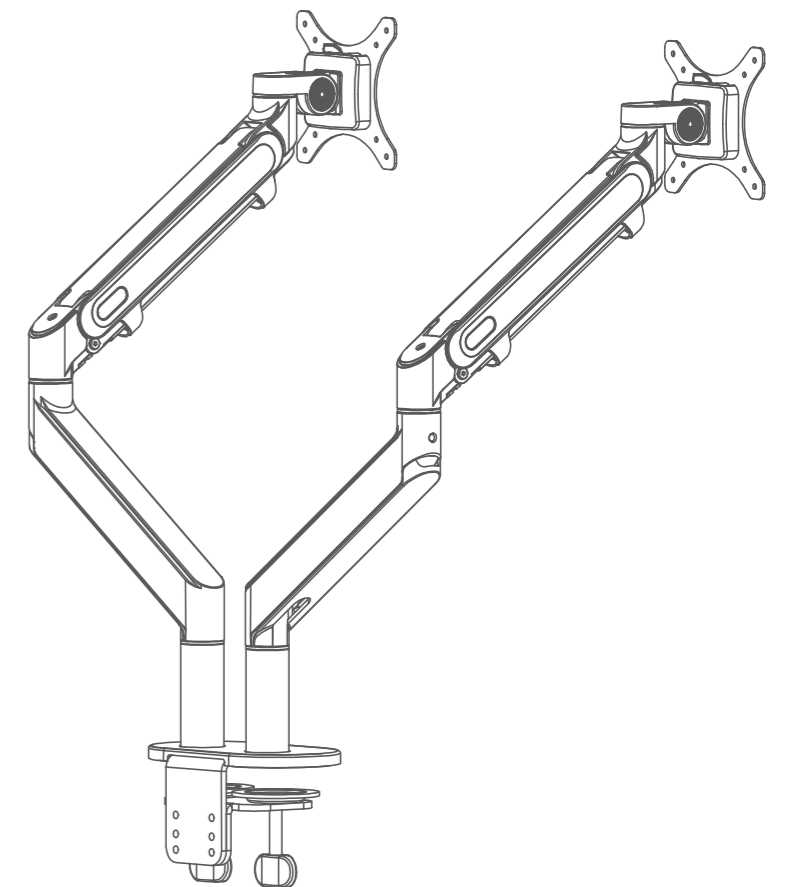
- * Keep base away from water and corrosion-resistant gas.
- * Use this base with actual technical parameters.



Assembly and Operation Instructions

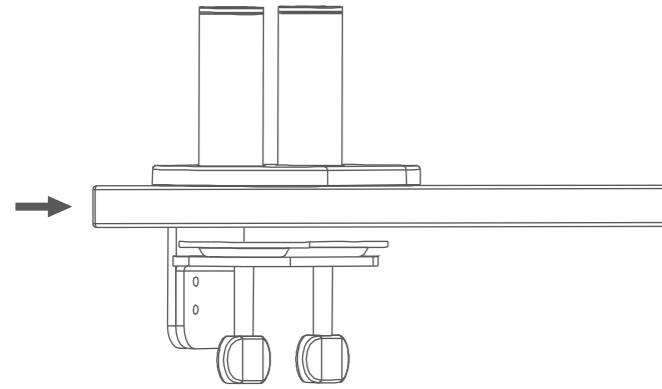
Dual-Monitor Arm

MA-02D



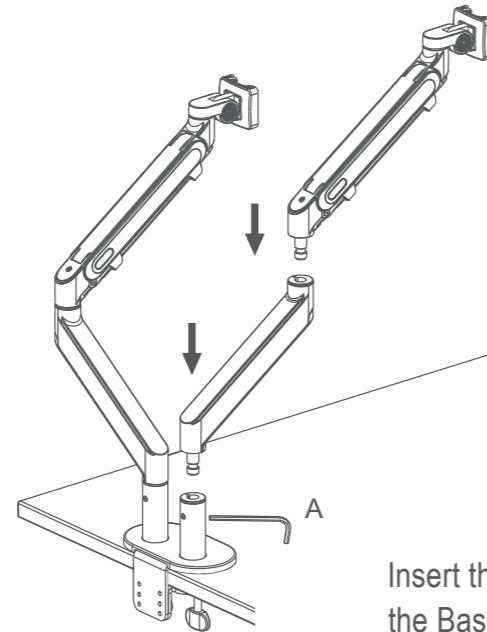
STEP 1

- Begin by fastening the base mount onto work surface as shown. Turn knobs to secure into place.



STEP 2

- Connect front and rear arm sections together then connect each arm to the base. Tighten screws as shown in Figure A.

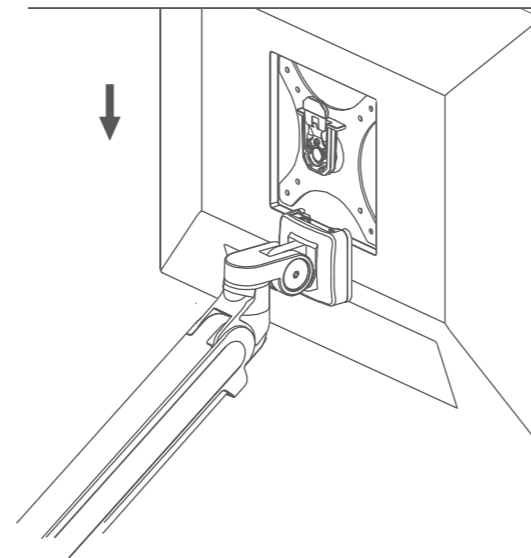
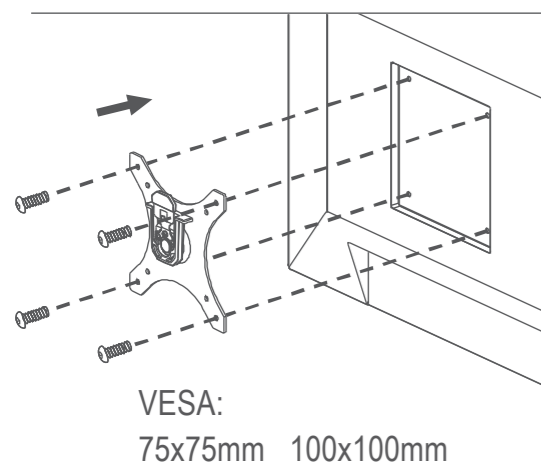


Insert the rear arm into the Base Stem, tighten the screw(A) by Hex Key



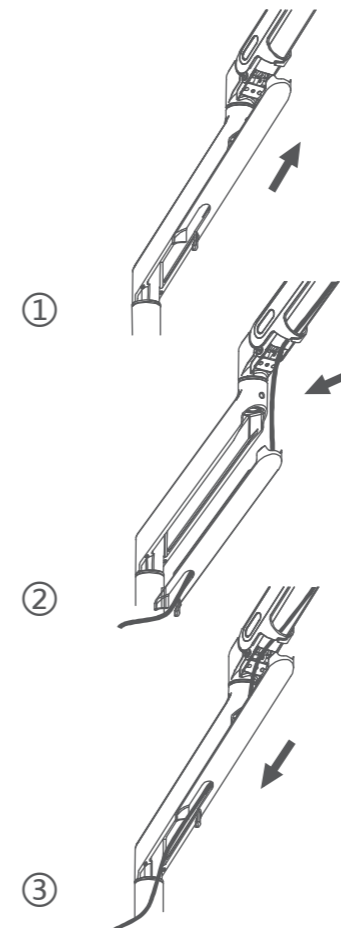
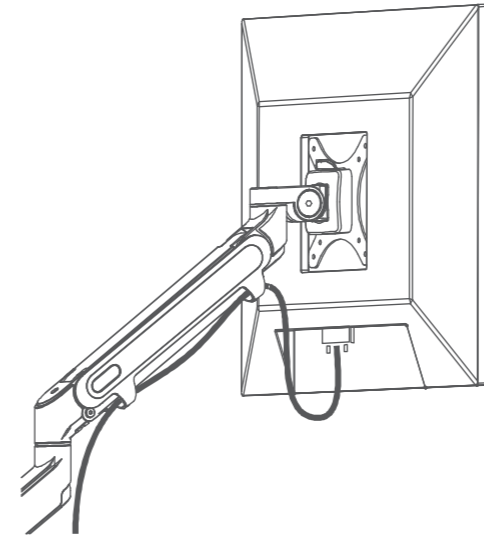
STEP 3

- Install VESA plate to back of monitor using (4) M4 or M5 screws per monitor as shown. Then connect each monitor arm to monitor by fastening the lever over the knob on the VESA plate from right to left. Open the lever once more to detach.



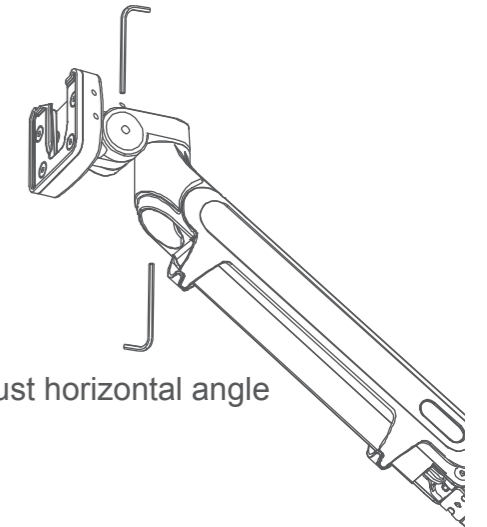
Cable management

- Channel cables along backside of arm for a neat and tidy appearance.



Arm adjustments

Adjust pitching angle



Adjust horizontal angle

Weight Adjustment

