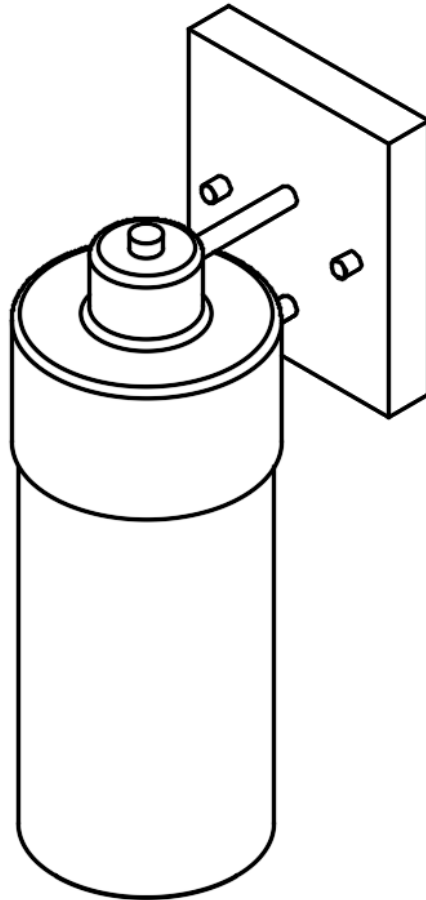


BICYCLE GLASS CO.

**EXTERIOR WALL SCONCE
ASSEMBLY AND WIRING INSTRUCTIONS**

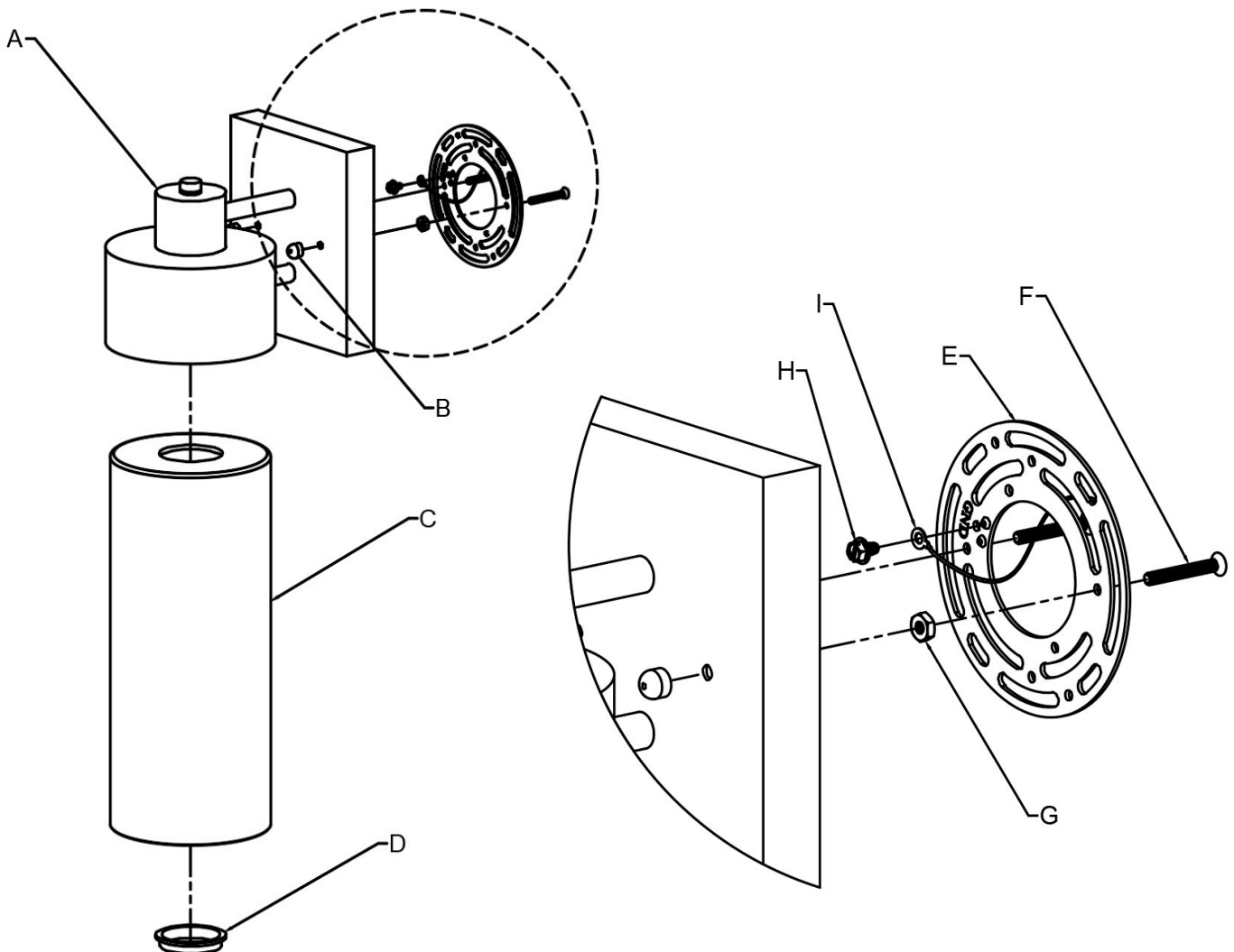
500 SERIES SHADES



 
Intertek **LISTED**
All Lighting is UL or ETL
listed for US and Canada.

PARTS LIST

PART REF.	DESCRIPTION	QUANTITY
A	SCONCE FIXTURE	1
B	FINISH FINIAL (KNOB)	2
C	GLASS SHADE	1
D	SHADE RING	1
E	MOUNTING BACKPLATE	1
F	SCREW, PHILIPS, 8-32 X 1.25L	4
G	NUT, HEX, 8-32 X 0.13H	2
H	SCREW, COMBO, 8-32 X 0.25L [GND]	1
I	GROUND WIRE	1
	<i>NOT SHOWN</i>	
J	SCREW, PHILIPS, #8 X 1.0L	2
K	WASHER, #8	2
L	WIRE NUT	3
M	WALL ANCHOR	2
N	LIGHT BULB	1



WIRE DESIGNATIONS

FIXTURE WIRE COLOR	ELECTRICAL DESIGNATION
WHITE	NEUTRAL
BLACK	HOT
GREEN	GROUND

INSTRUCTIONS

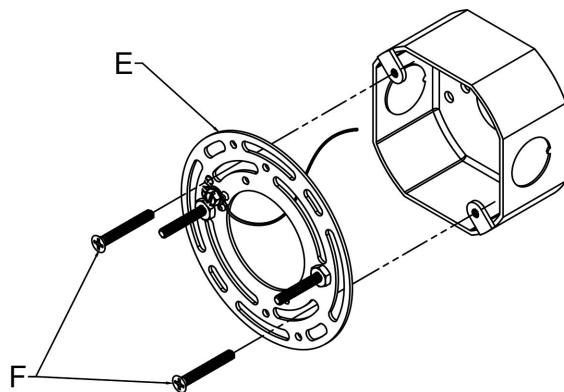
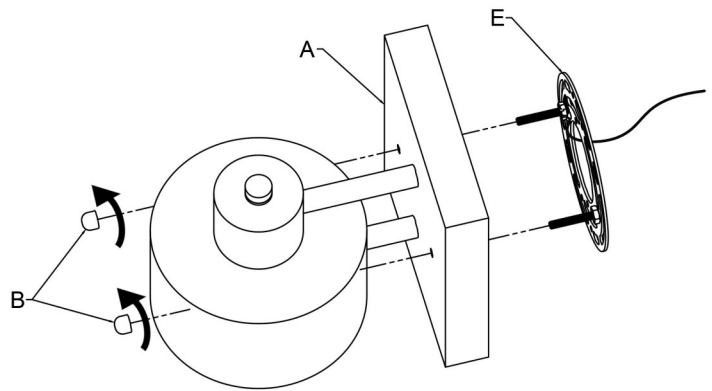
WARNING: ENSURE POWER TO THE ELECTRICAL BOX THE SCONCE WILL BE INSTALLED IN IS TURNED OFF BEFORE BEGINNING INSTALLATION. RECOMMEND INSTALLATION BY A LICENSED ELECTRICIAN OR OTHER QUALIFIED PROFESSIONAL.

NOTE: Instructions show installation of the sconce on standard ceiling/fixture electrical boxes using 2-conductor (with ground) wiring. Installation by a licensed electrician or other qualified professional is recommended as specific applications may differ from instructions.

NOTE: Refer to the images on Page 2 for the parts list to assist with identifying components.

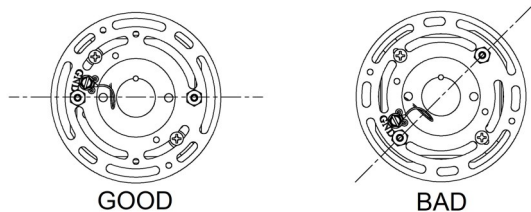
1. Remove mounting backplate.

- Unscrew the finials (B) to remove the backplate.



2. Install mounting backplate.

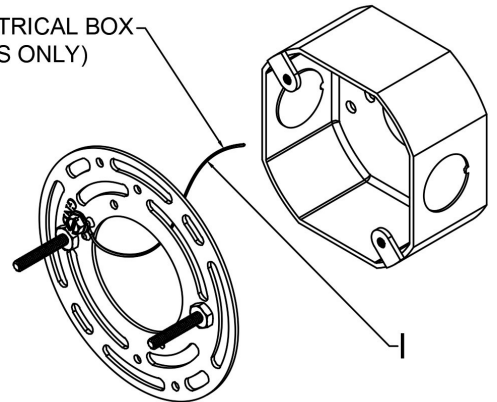
- Use 2X screws (F) from the included bag of hardware.
- Minor adjustment may be required depending on your application.



INSTRUCTIONS

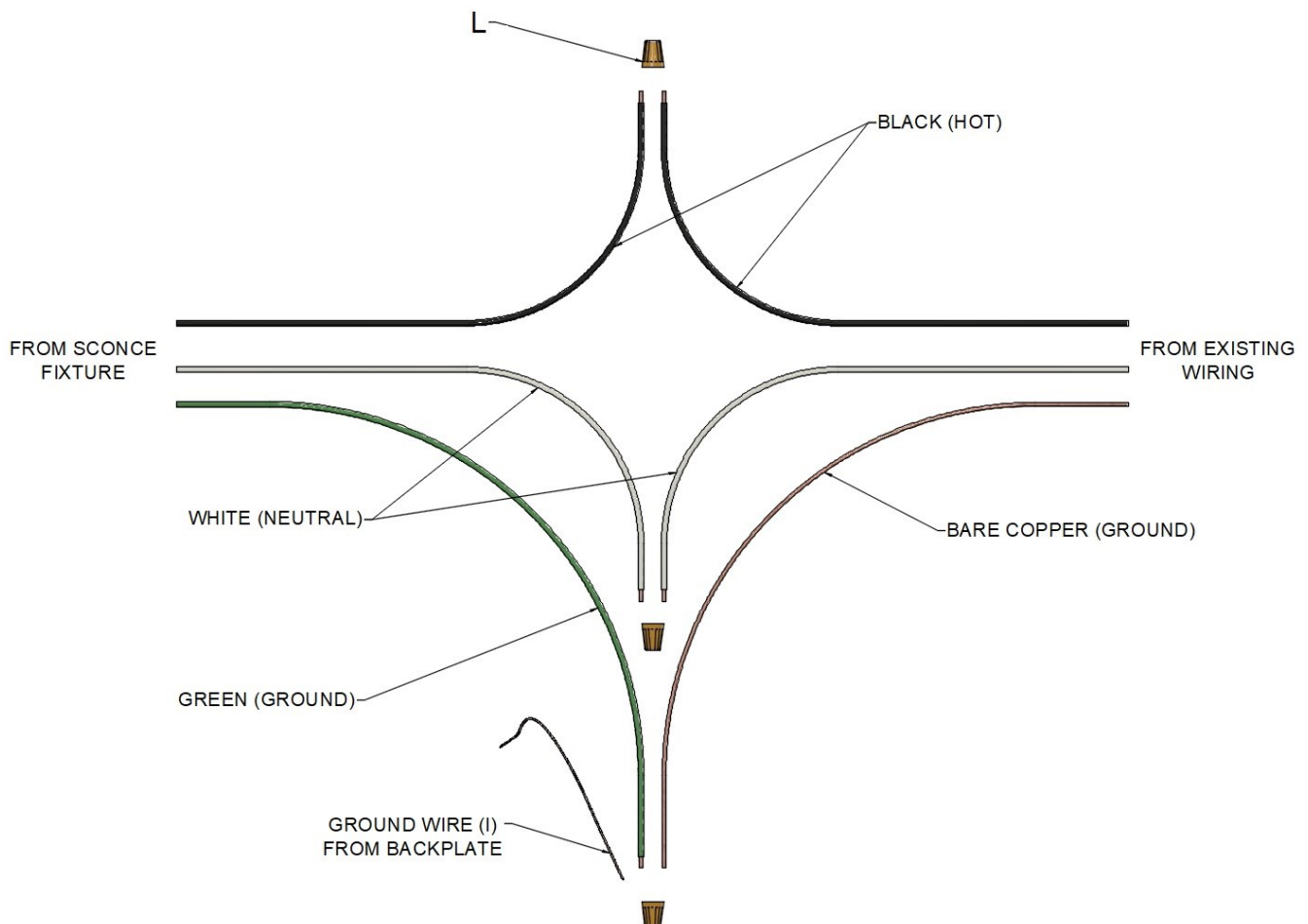
If installing on a metal electrical box the ground wire (I) can be connected directly to the box using a grounding screw (not provided).

SECURE TO ELECTRICAL BOX—
(METAL BOXES ONLY)



3. Make electrical connections.

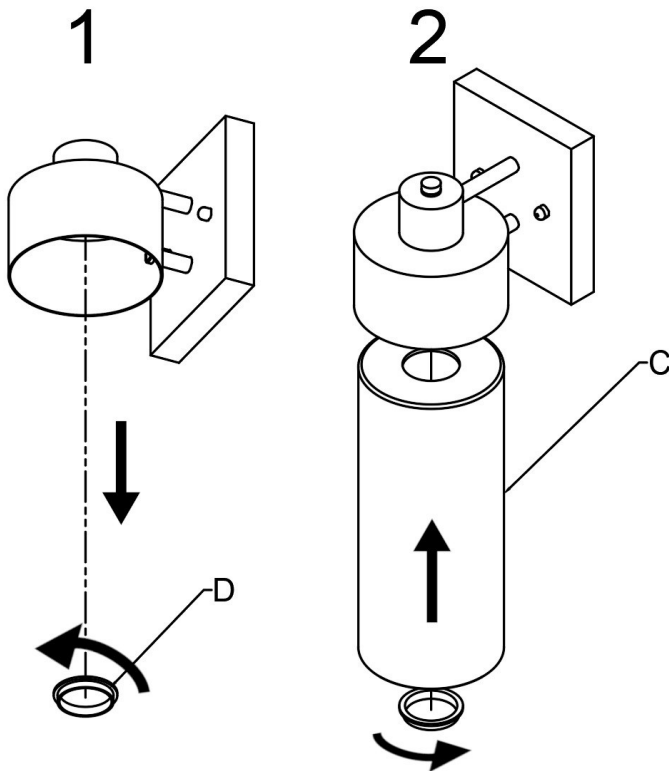
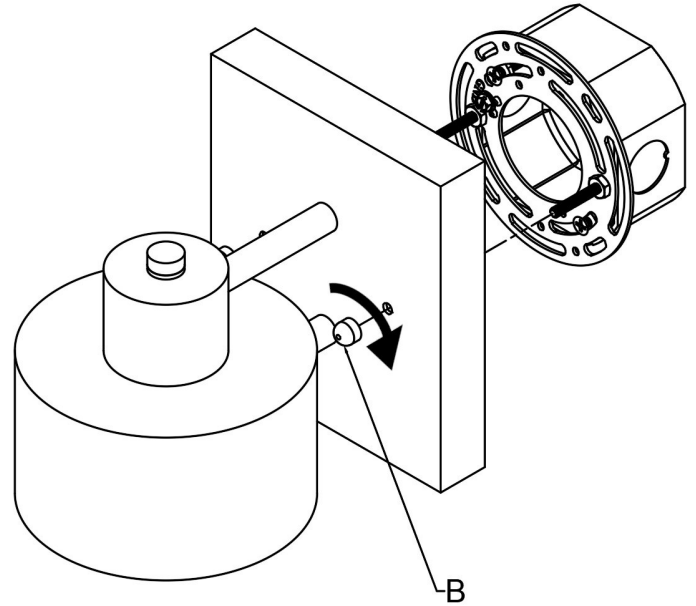
- Connect wires with wire nuts (L) from the included bag of hardware.
- Connect ground wire (I) from the backplate with other ground wires.
- Ensure all electrical connections are securely tightened.
- Wire connections shown for standard 2-conductor (with ground) wiring.



INSTRUCTIONS

4. Install sconce fixture.

- Place the fixture over the screws on the mounting plate.
- Tighten the finials (B) onto the ends of the screws.
- Ensure wiring is secured in the electrical box and not damaged during installation.



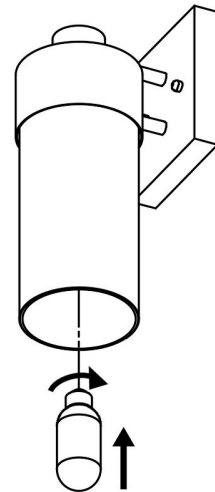
5. Install glass shade.

- Unscrew and remove the shade ring.
- Place the shade in the fixture and hand tighten until the shade is secure.

INSTRUCTIONS

6. Install light bulb.

- Install the provided light bulb into fixture.
- Compatible with medium base E26 bulbs.
- Rated 60W max for incandescent bulbs (10W max for LED).



7. Turn power and light on.

- Turn power back on to the electrical box.
- Ensure light turns on.