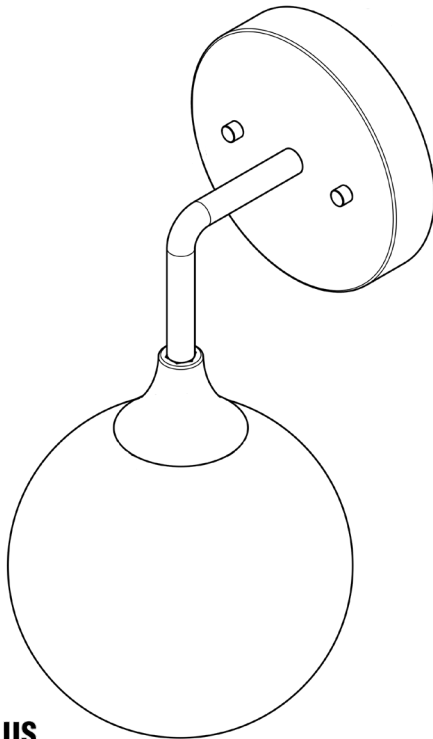




BICYCLE GLASS CO.

**WALL SCONCE
ASSEMBLY AND WIRING INSTRUCTIONS**



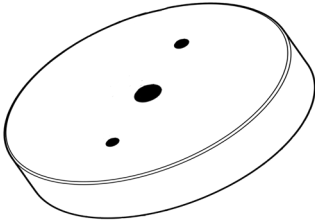
Intertek

LISTED

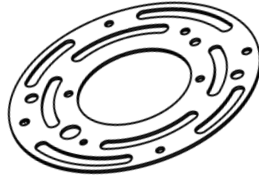
All Lighting is UL or ETL
listed for US and Canada.

PLEASE CONSULT A CERTIFIED ELECTRICIAN BEFORE INSTALLING HARDWARE. DRAWINGS ARE NOT TO SCALE AND ARE FOR REFERENCE ONLY. THESE INSTRUCTIONS ARE SUBJECT TO REVISION. THIS HARDWARE IS MEANT TO INSTALL INTO A STANDARD CEILING ELECTRICAL BOX/ JUNCTION BOX.

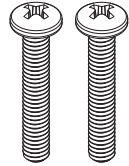
PARTS LIST:



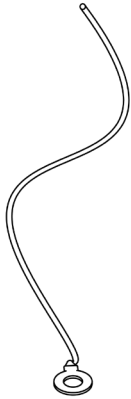
A: Canopy Plate Qty. 1



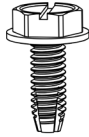
G: Round Backplate Qty. 1



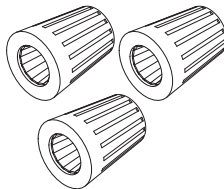
F: 8-32 Mounting Screws
1.25 inches tall, Qty. 2



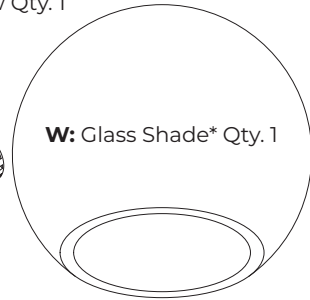
H: 8-32 Green Ground Screw Qty. 1



U: E26 Socket Set
Qty. 1

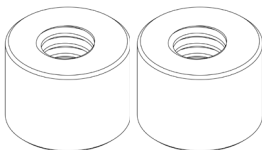


I: Orange Wire Connectors
Qty. 3

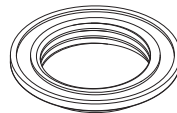


W: Glass Shade* Qty. 1

JJ: 8-32 Ground Strap
Qty. 1



L: 8-32 Cylindrical Finials
Qty. 2



V: Shade Ring Qty. 1



K: 8-32 Threaded Stud
Qty. 2

*Illustrated figure is Model 763: 6 inch inside diameter, 3 7/8 inch opening, 5 inch high. Your selected shade may be different.

WIRE DESIGNATION CHART:

BRUSHED NICKEL HARDWARE:

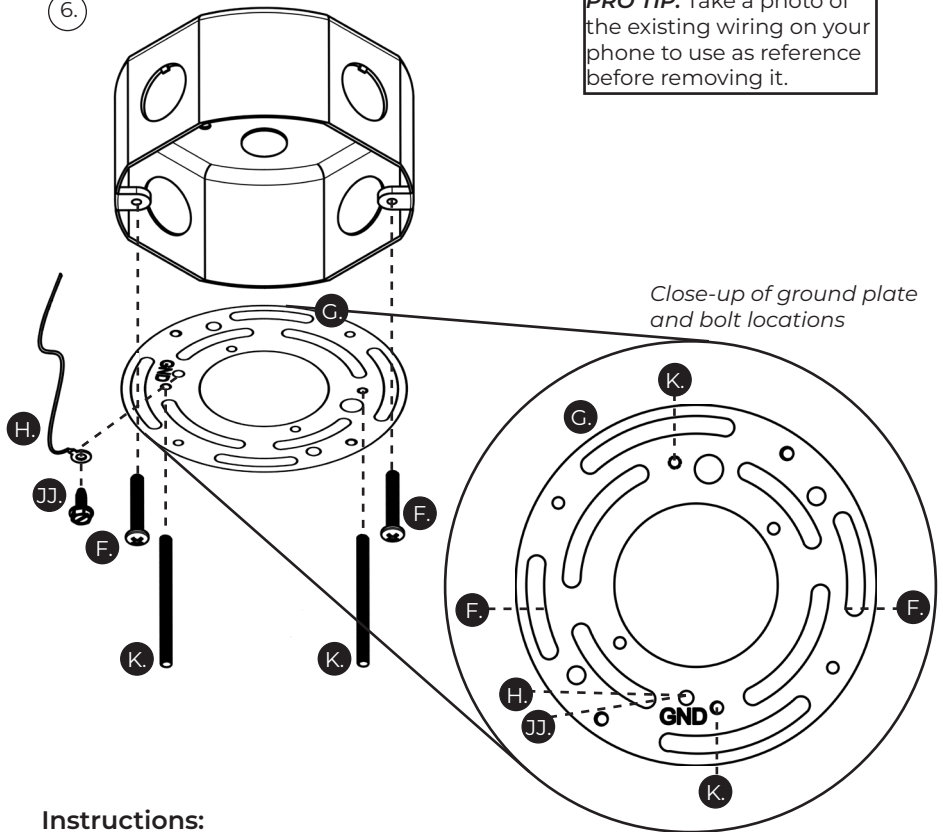
Physical Description	Electrical Designation
Clear Wire with black stripe	BLACK / HOT
Clear Wire with no stripe	WHITE / NEUTRAL
Clear Wire with green stripe	GREEN / GROUND

BLACK/ POLISHED BRASS/ ANTIQUE BRONZE HARDWARE:

Physical Description	Electrical Designation
Black Wire with copper lead	BLACK / HOT
White Wire with copper lead	WHITE / NEUTRAL
Green Wire with copper lead	GREEN / GROUND

6.

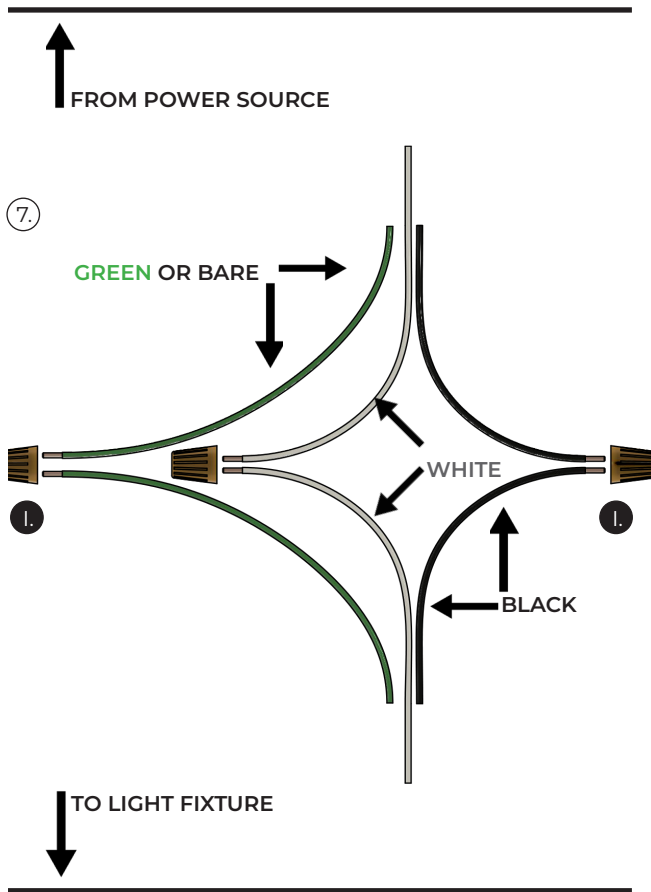
PRO TIP: Take a photo of the existing wiring on your phone to use as reference before removing it.



Close-up of ground plate and bolt locations

Instructions:

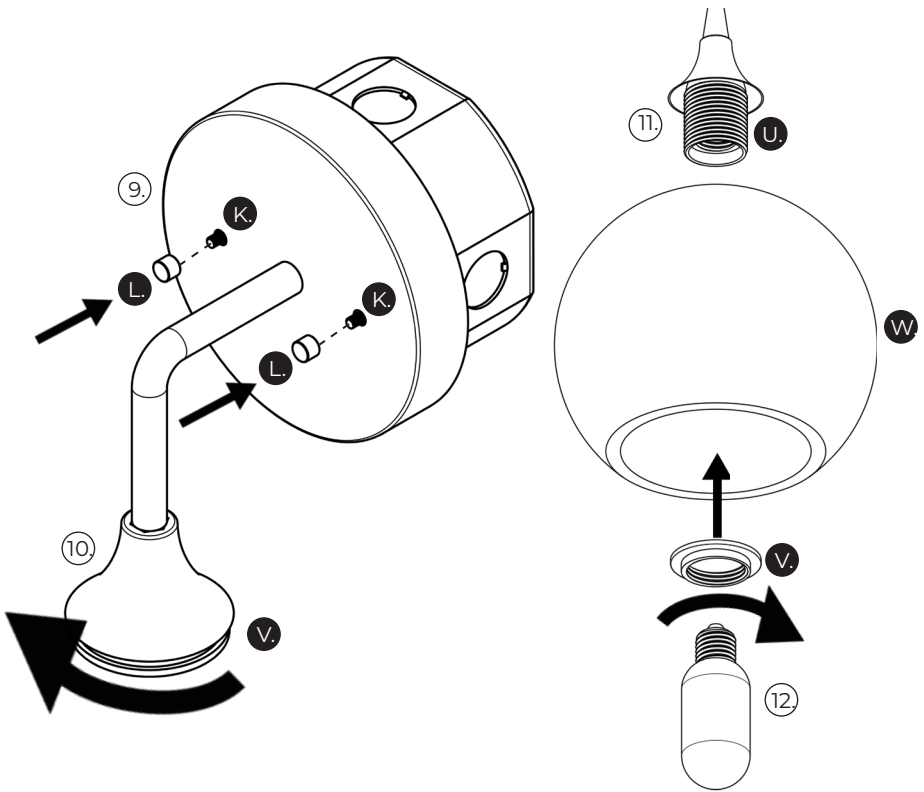
1. Turn **OFF** Power at Breaker Box
2. Remove existing Light Fixture from the Wall Electrical Box
3. Mount the 8-32 Green Ground Screw (*H*) through the 8-32 Ground Strap (*JJ*) into the threaded hole marked GND in the Round Backplate (*G*).
4. Mount the Round Backplate (*G*) to the Wall Electrical Box with two 8-32 Mounting Screws (*F*) provided through the appropriate slots to match the threaded holes in the Wall Electrical Box with the head of the **GREEN** Ground Screw (*H*) facing out.
5. Attach the BARE/**GREEN** Ground Wire from the Wall Electrical Box to the Green Ground Screw (*H*) on the Round Backplate (*G*).
6. Mount the two 8-32 Threaded Studs (*K*) into the threaded holes of the Round Backplate (*G*) that match the two holes in the Canopy Plate (*A*).



7a. Connect **BLACK** Wire of the fixture to **BLACK** Wire of the Wall Electrical Box using an Orange Wire Connector (I) provided. (See: **WARNING #2** and **WARNING #3**)

7b. Connect the **WHITE** Wire of the fixture to **WHITE** Wire of the Wall Electrical Box using an Orange Wire Connector (I) provided. (See: **WARNING #2** and **WARNING #3**)

7c. Connect the **GREEN** Wire from the fixture to the **GREEN** Wire from the Wall Electrical Box using an Orange Wire Connector (I) provided. (See: **WARNING #2** and **WARNING #3**)



8. Carefully arrange any excess wiring and Orange Wire Connectors (I) within Canopy Plate (A) and the Wall Electrical Box.

9. Place the fixture with the 8-32 Threaded Studs (K) extending through the matching holes and hold snug to the wall. Screw the 8-32 Cylindrical Finial (L) onto the end of each of the 8-32 Threaded Stud (K) until the 8-32 Cylindrical Finial (L) is seated onto the 8-32 Threaded Stud (K). Continue to screw the 8-32 Cylindrical Finial (L) and 8-32 Threaded Stud (K) until Canopy Plate (A) is snug against the wall.

10. Remove the Shade Ring (V) from the E26 Socket Set (U) on the fixture.

11. Attach the Glass Shade (W) to the E26 Socket Set (U) through the hole at the top of the Glass Shade (W). Use the Shade Ring (V) to tighten the Glass Shade (W) to the hardware. **(See: NOTICE #1 and WARNING #4)**

12. Install one medium E26 base light bulb into the E26 Socket Set (U). **(See: WARNING #5)**

13. Turn **ON** Power at Breaker Box to test the fixture.

WARNINGS:

WARNING #1: Never connect Ground Wire (**GREEN** or BARE) to **WHITE**/Neutral or **BLACK**/Hot Wire.

WARNING #2: Never connect the **BLACK**/Hot Wire to **WHITE**/Neutral Wire.

WARNING #3: Orange Wire Connectors (*I*) provided are designed to connect **TWO to FOUR** 18-gage wires and may be appropriate for your wiring situation. All wiring should be snugly and securely fastened with correctly sized wire connectors. If your wiring differs from this most simple example, you should consult a qualified electrician to be sure that the wiring is done safely and correctly with appropriate sized connectors for your unique wiring situation.

WARNING #4: Do **NOT** over tighten the Shade Ring (*V*) as the Glass Shade (*W*) may crack or break.

WARNING #5: The hardware has a 60-watt *INCANDESCENT MAX* rating. Do **NOT** exceed this rating. For California residents it is recommend to not go beyond a 10-watt *LED MAX* rating.

NOTICE #1: Brushed Nickel fixtures come with clear cord. The clear cord comes with distinct heat shrink colored labels instead of fully colored wires. Other finishes come with either black or brown cord and the individual wires are **BLACK**/Hot, **WHITE**/Neutral and **GREEN**/Ground.

(SEE: 'WIRE DESIGNATION' CHART AT THE BEGINNING OF INSTRUCTIONS).

NOTICE #2: Make sure power is **OFF** before attempting to adjust the Glass Shade (*W*). The flange of the Shade Ring (*V*) (wide and flat side of the ring) screws around the E26 Socket Set (*U*) against the Glass Shade (*W*) to affix it to the lighting fixture. The hole at the top of the shade is slightly larger than the E26 Socket Set (*U*). If the shade hangs slightly crooked then hold Glass Shade (*W*) while unscrewing the Shade Ring (*V*) a few turns. Once the Glass Shade (*W*) is loose, recenter the Glass Shade (*W*) to hang straight and then re-tighten the Shade Ring (*V*) to set Glass Shade (*W*) in place.