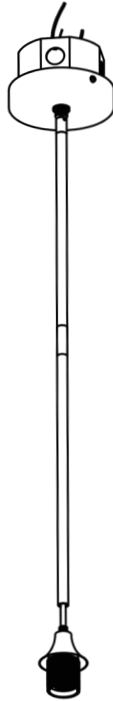




BICYCLE GLASS CO.

**SINGLE DOWNROD PENDANT  
ASSEMBLY AND WIRING INSTRUCTIONS**



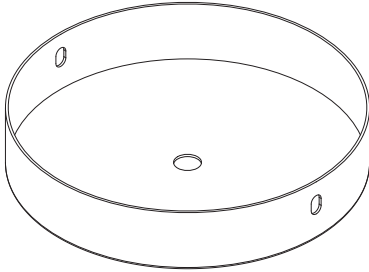
Intertek

**LISTED**

All Lighting is UL or ETL  
listed for US and Canada.

PLEASE CONSULT A CERTIFIED ELECTRICIAN BEFORE INSTALLING HARDWARE. DRAWINGS ARE NOT TO SCALE AND ARE FOR REFERENCE ONLY. THESE INSTRUCTIONS ARE SUBJECT TO REVISION. THIS HARDWARE IS MEANT TO INSTALL INTO A STANDARD CEILING ELECTRICAL BOX/ JUNCTION BOX.

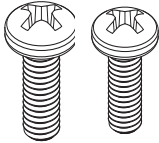
## PARTS LIST:



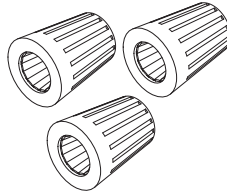
**A:** Canopy Plate Qty. 1



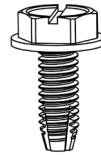
**N:** Mini Hang Straight Qty. 1



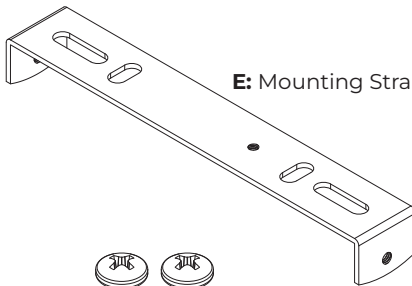
**B:** Canopy Screws  
0.375 inches tall, Qty. 2



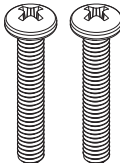
**I:** Orange Wire Connectors Qty. 3



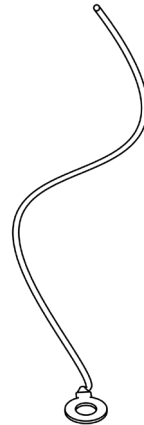
**H:** Green Ground Screw Qty. 1



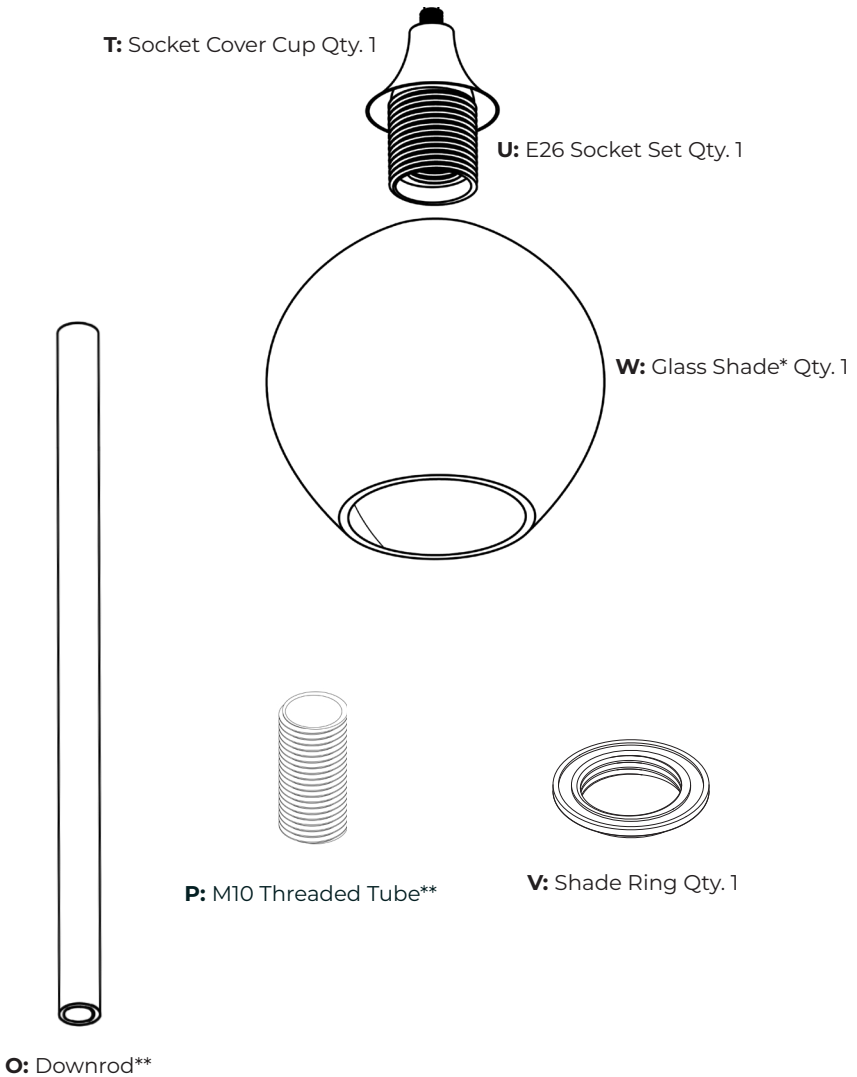
**E:** Mounting Strap Qty. 1



**F:** 8-32 Mounting Screws  
1.25 inches tall, Qty. 2



**JJ:** Bare Ground Strap Qty. 1



\*Illustrated figure is Model 767: 7 inch inside diameter, 5 1/8 inch opening, 6 3/4 inch high. Your selected shade may be different.

\*\* Downrods and M10 Threaded Tube are sold and packaged separately. The M10 Threaded Tube is glued inside the Downrod. The number of downrods needed will vary based on individual desired length of pendant.

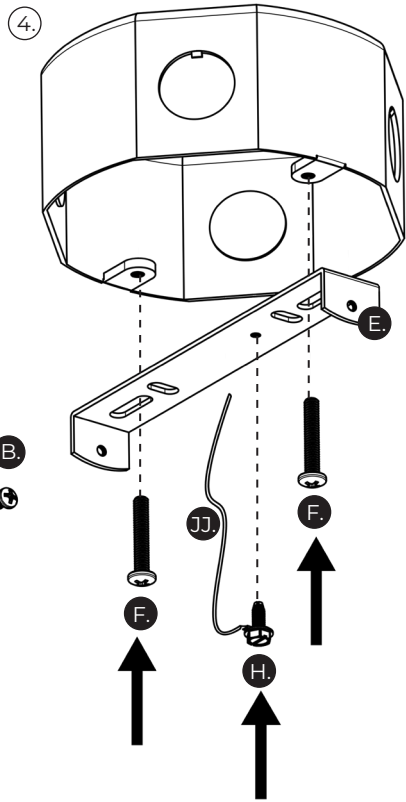
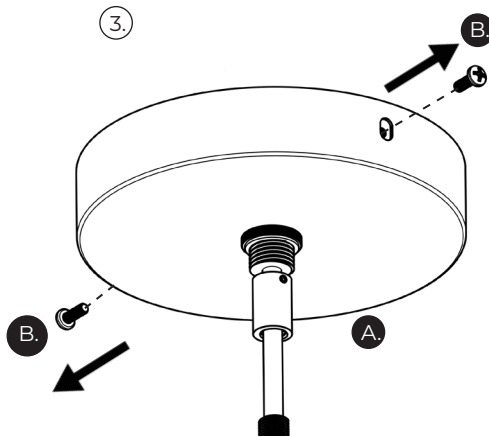
## WIRE DESIGNATION CHART:

Physical Description	Electrical Designation
Black Wire with copper lead	<b>BLACK</b> / HOT
White Wire with copper lead	<b>WHITE</b> / NEUTRAL
Green Wire with copper lead	<b>GREEN</b> / GROUND

### INSTALLATION HEIGHT RECOMMENDATIONS:

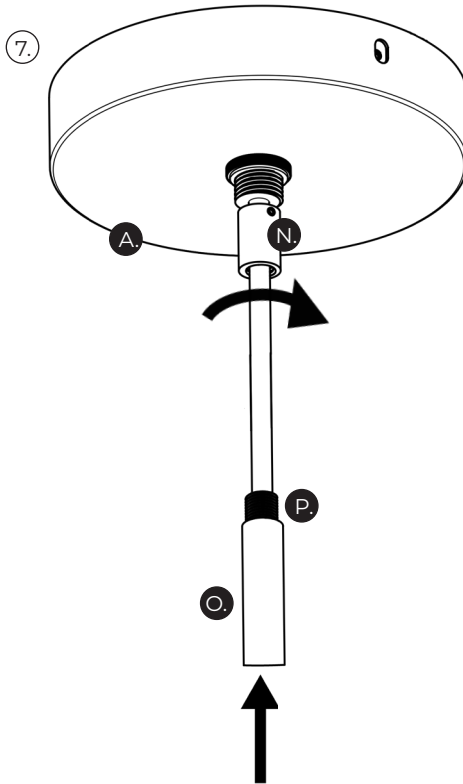
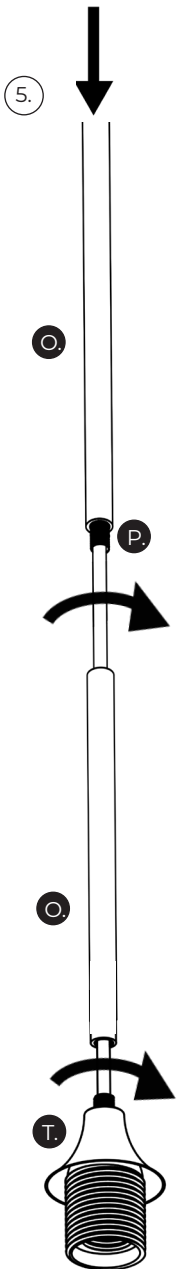
Over a Kitchen Island	30-40 inch gap from the bottom of the shade to the top of the kitchen island.
Over a Dining Room Table	28-36 inch gap from the bottom of the shade to the top of the table.
Over an Entryway	6-12 inch gap above the door frame of the entryway.

**PRO TIP:** Take a photo of the existing wiring on your phone to use as reference before removing it.



## Instructions:

1. Turn **OFF** Power at Breaker Box
2. Remove the Existing Light Fixture from the Ceiling Electrical Box
3. Remove Mounting Strap (E) from Canopy Plate (A) by removing the two Canopy Screws (B) from the sides of the Canopy Plate (A). (Save Mounting Strap (E) and Canopy Screws (B) for later use.)
4. Attach Mounting Strap (E) to the Ceiling Electrical Box with the tabs facing downward using the two 8-32 Mounting Screws (F) provided. Ensure that the head of Green Ground Screw (H) is facing downward.



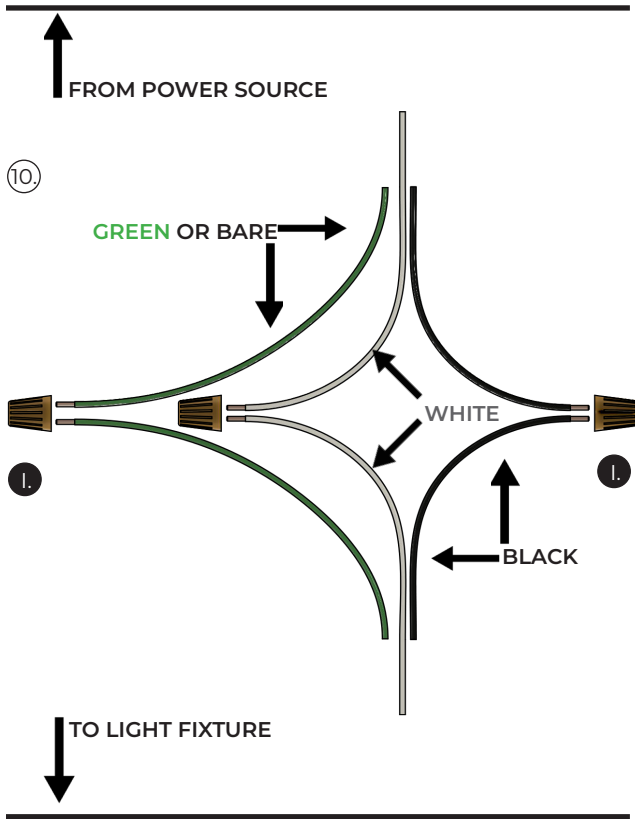
**5.** Each Downrod (O) will have an open end and an end with an M10 Threaded Tube (P) screwed into it. Run the stripped end of the cord into the open end of the first Downrod (O). Slide the Downrod (O) down the cord and screw it onto the exposed brass threads at the top of the Socket Cover Cup (T). Tighten until the Socket Cover Cup (T) does not spin. Add additional Downrods (O) until you reach desired length.  
**(See: WARNING #6)**

**6.** Tighten all Downrods (O) sections until tight.

**7.** Screw the end of the last Downrod (O) with the M10 Threaded Tube (P) exposed towards the Canopy Plate (A), then screw it into the Mini Hang Straight (N) mounted in the Canopy Plate (A) until all sections are tight.

**8.** Pull on the end of the cord in Canopy Plate (A) to eliminate any slack.

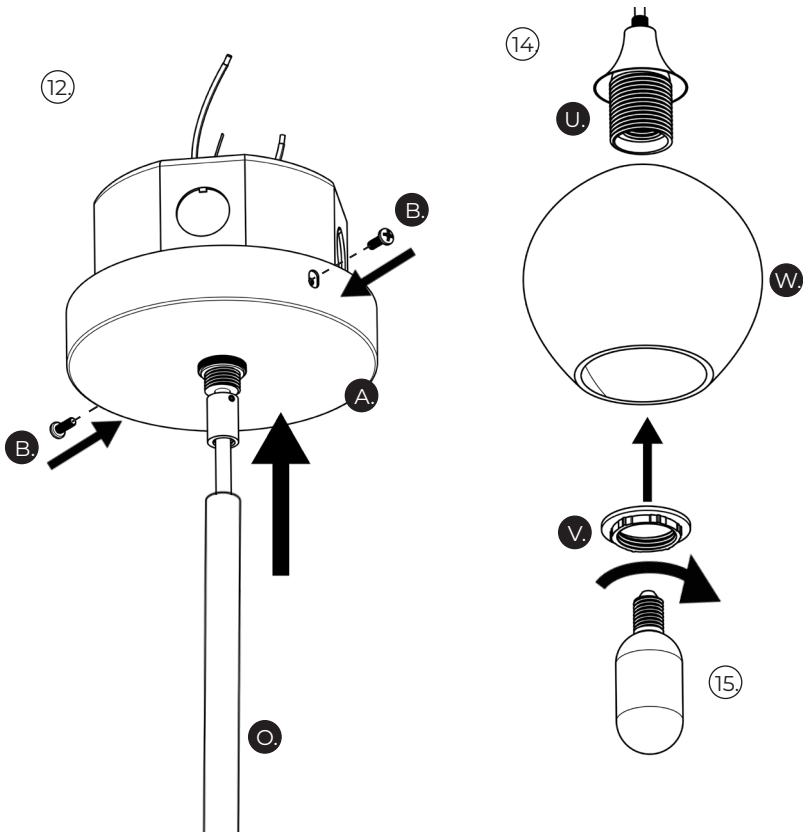
**9.** Tie a simple overhand know in the cord near the inside surface of the Canopy Plate (A) for safety.



**10a.** Connect the **BLACK** Wire from the fixture to the **BLACK** Wire from the Ceiling Electrical Box using an Orange Wire Connector (I) provided.  
(See: **WARNING #2** and **WARNING #3**)

**10b.** Connect the **WHITE** Wire from the fixture to the **WHITE** Wire from the Ceiling Electrical Box using an Orange Wire Connector (I) provided.  
(See: **WARNING #2** and **WARNING #3**)

**10c.** Connect the **BARE** Wire from the Mounting Strap (F) to the **GREEN** Wire from the Ceiling Electrical Box using an Orange Wire Connector (I) provided.  
(See: **WARNING #1** and **WARNING #3**)



**11.** Carefully arrange any excess wiring and Orange Wire Connectors (*I*) within Canopy Plate (*A*) and the Ceiling Electrical Box.

**12.** Align the holes in the side of the Canopy Plate (*A*) to the holes at the ends of the Mounting Strap (*E*), while holding the Canopy Plate (*A*) snug to the ceiling and screw in the two Canopy Screws (*B*).

**13.** Make sure power is still **OFF**. Then remove the Shade Ring (*V*) from the E26 Socket Set (*U*) on the fixture.

**14.** Attach the Glass Shade (*W*) to the E26 Socket Set (*U*) through the hole at the top of the Glass Shade (*W*). Use the Shade Ring (*V*) to tighten the Glass Shade (*W*) to the hardware. (**See: NOTICE #1 and WARNING #4**)

**15.** Install one medium E26 base light bulb into the E26 Socket Set (*U*). (**See: WARNING #5**)

**16.** Turn **ON** Power at Breaker Box to test the fixture.



## WARNINGS:

**WARNING #1:** Never connect Ground Wire (**GREEN** or BARE) to **WHITE**/Neutral or **BLACK**/Hot Wire.

**WARNING #2:** Never connect the **BLACK**/Hot Wire to **WHITE**/Neutral Wire.

**WARNING #3:** Orange Wire Connectors (*I*) provided are designed to connect **TWO to FOUR** 18-gage wires and may be appropriate for your wiring situation. All wiring should be snugly and securely fastened with correctly sized wire connectors. If your wiring differs from this most simple example, you should consult a qualified electrician to be sure that the wiring is done safely and correctly with appropriate sized connectors for your unique wiring situation.

**WARNING #4:** Do **NOT** over tighten the Shade Ring (*V*) as the Glass Shade (*W*) may crack or break.

**WARNING #5:** The hardware has a 60-watt *INCANDESCENT MAX* rating. Do **NOT** exceed this rating. For California residents it is recommend to not go beyond a 10-watt *LED MAX* rating.

**NOTICE #1:** Brushed Nickel fixtures come with clear cord. The clear cord comes with distinct heat shrink colored labels instead of fully colored wires. Other finishes come with either black or brown cord and the individual wires are **BLACK**/Hot, **WHITE**/Neutral and **GREEN**/Ground.

**(SEE: 'WIRE DESIGNATION' CHART AT THE BEGINNING OF INSTRUCTIONS).**

**NOTICE #2:** Make sure power is **OFF** before attempting to adjust the Glass Shade (*W*). The flange of the Shade Ring (*V*) (wide and flat side of the ring) screws around the E26 Socket Set (*U*) against the Glass Shade (*W*) to affix it to the lighting fixture. The hole at the top of the shade is slightly larger than the E26 Socket Set (*U*). If the shade hangs slightly crooked then hold Glass Shade (*W*) while unscrewing the Shade Ring (*V*) a few turns. Once the Glass Shade (*W*) is loose, recenter the Glass Shade (*W*) to hang straight and then re-tighten the Shade Ring (*V*) to set Glass Shade (*W*) in place.