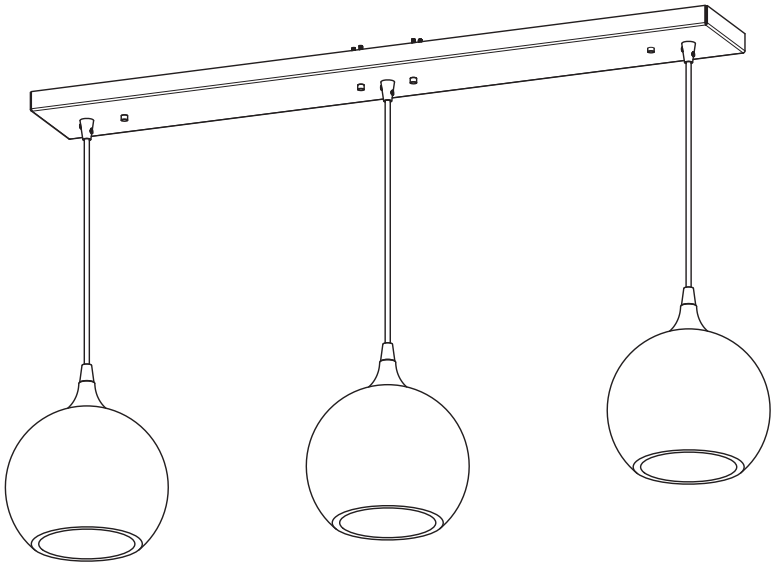




BICYCLE GLASS CO.

**3-PENDANT LINEAR CHANDELIER
ASSEMBLY AND WIRING INSTRUCTIONS**



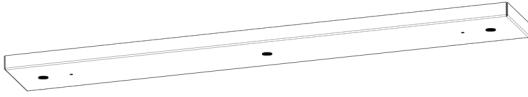
Intertek

LISTED

All Lighting is UL or ETL
listed for US and Canada.

PLEASE CONSULT A CERTIFIED ELECTRICIAN BEFORE INSTALLING HARDWARE. DRAWINGS ARE NOT TO SCALE AND ARE FOR REFERENCE ONLY. THESE INSTRUCTIONS ARE SUBJECT TO REVISION. THIS HARDWARE IS MEANT TO INSTALL INTO A STANDARD CEILING ELECTRICAL BOX/ JUNCTION BOX.

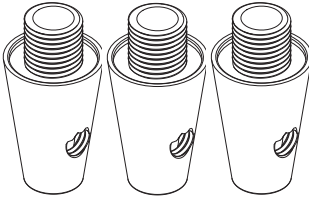
PARTS LIST:



A: Canopy Plate Qty. 1



L: Cylindrical Finial Qty. 4



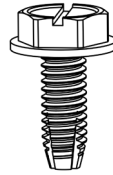
C: Canopy Cord Grip Qty. 3



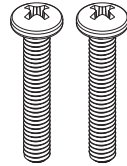
K: 8-32 Threaded Stud Qty. 2



D: Plastic Mini Screws Qty. 6

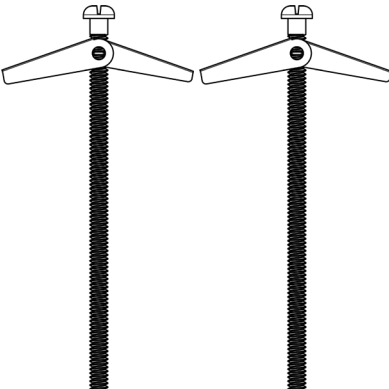


H: Green Ground Screw Qty. 1

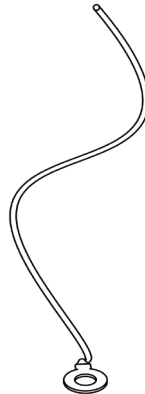


F: 8-32 Mounting Screws
1.25 inches tall, Qty. 2

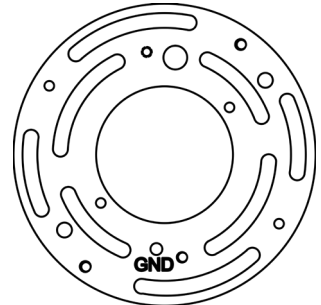
S: 8-32 Toggle Bolt Wings Qty. 2



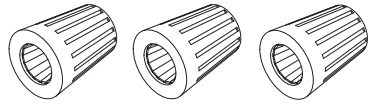
Q: 8-32 Toggle Bolts Qty. 2



JJ: Bare Ground Strap Qty. 1



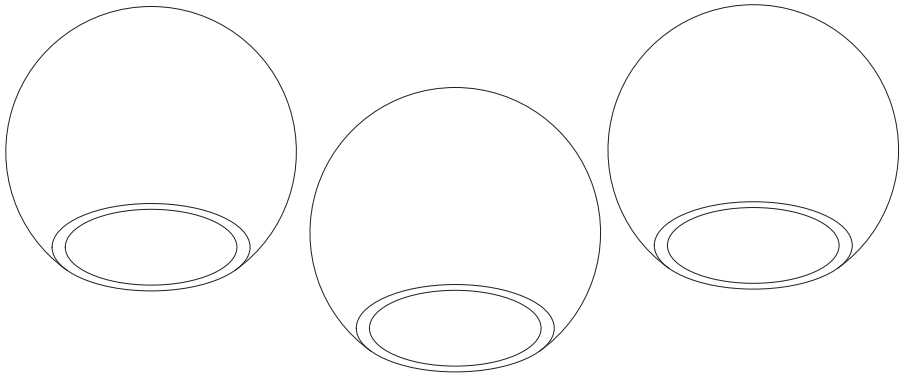
G: Round Backplate Qty. 1



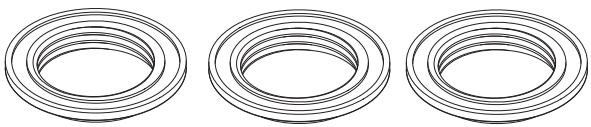
I: Orange Wire Connectors Qty. 3



U: E26 Socket Set Qty. 3



W: Glass Shade* Qty. 3



V: Shade Ring Qty. 3

*Illustrated figure is Model 767: 7 inch inside diameter, 5 1/8 inch opening, 6 3/4 inch high. Your selected shade may be different.

WIRE DESIGNATION CHART:

BRUSHED NICKEL HARDWARE:

Physical Description	Electrical Designation
Clear Wire with black stripe	BLACK / HOT
Clear Wire with no stripe	WHITE / NEUTRAL
Clear Wire with green stripe	GREEN / GROUND

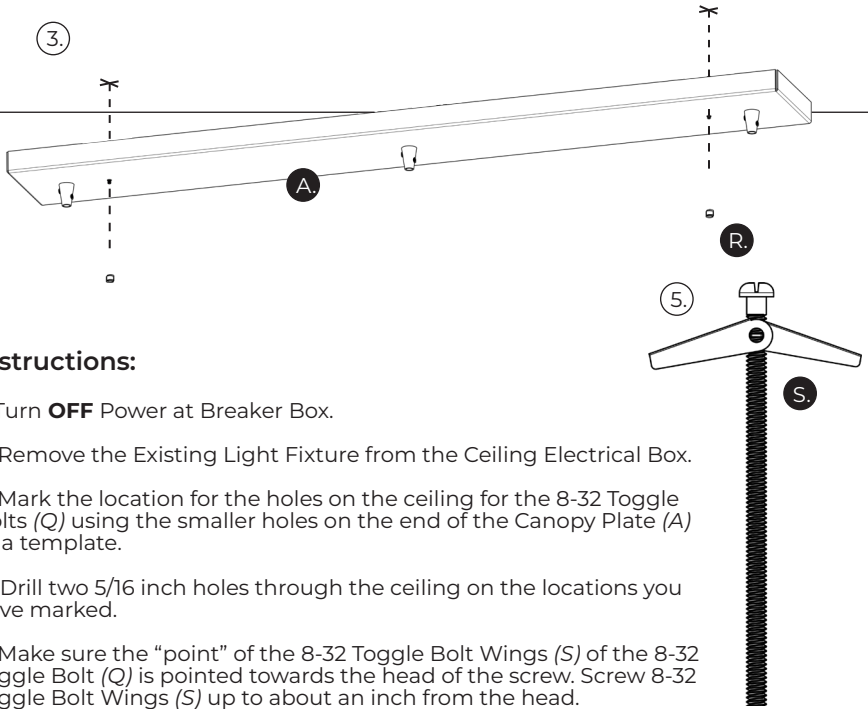
BLACK/ POLISHED BRASS/ ANTIQUE BRONZE HARDWARE:

Physical Description	Electrical Designation
Black Wire with copper lead	BLACK / HOT
White Wire with copper lead	WHITE / NEUTRAL
Green Wire with copper lead	GREEN / GROUND

INSTALLATION HEIGHT RECOMMENDATIONS:

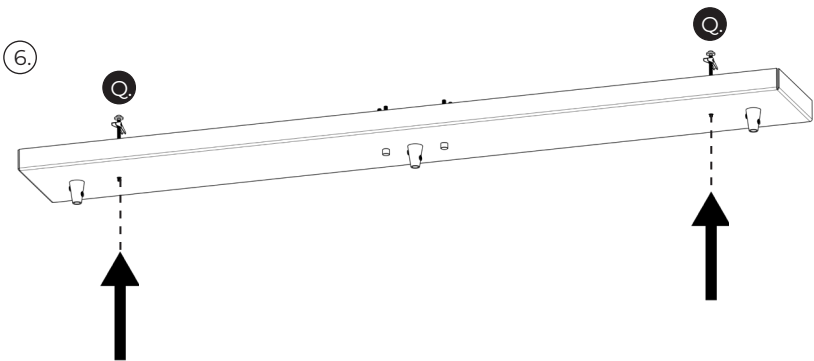
Over a Kitchen Island	30-40 inch gap from the bottom of the shade to the top of the kitchen island.
Over a Dining Room Table	28-36 inch gap from the bottom of the shade to the top of the table.

PRO TIP: This hardware kit is fully assembled and wired. However, if you need to cut the cords then it is recommended to take a photo of the existing wiring on your phone to use as reference before removing it.

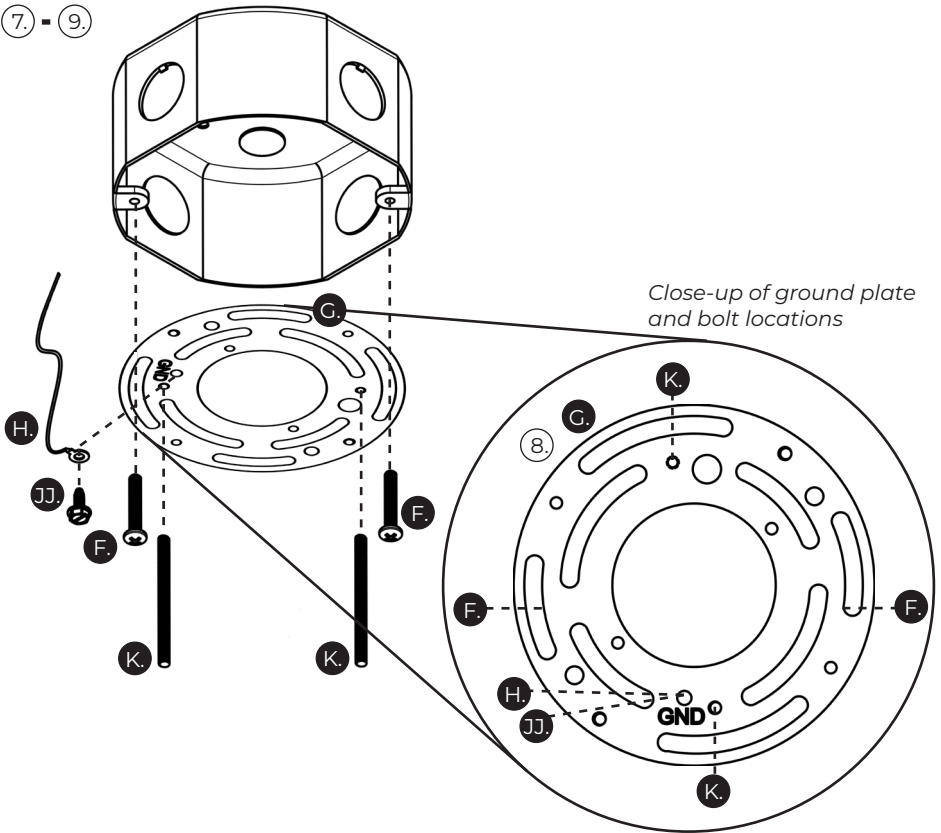


Instructions:

1. Turn **OFF** Power at Breaker Box.
2. Remove the Existing Light Fixture from the Ceiling Electrical Box.
3. Mark the location for the holes on the ceiling for the 8-32 Toggle Bolts (Q) using the smaller holes on the end of the Canopy Plate (A) as a template.
4. Drill two 5/16 inch holes through the ceiling on the locations you have marked.
5. Make sure the “point” of the 8-32 Toggle Bolt Wings (S) of the 8-32 Toggle Bolt (Q) is pointed towards the head of the screw. Screw 8-32 Toggle Bolt Wings (S) up to about an inch from the head.
6. Push the 8-32 Toggle Bolts (Q), through each hole you have drilled, head first, until you feel the 8-32 Toggle Bolt Wings (S) pop out.



7. - 9.

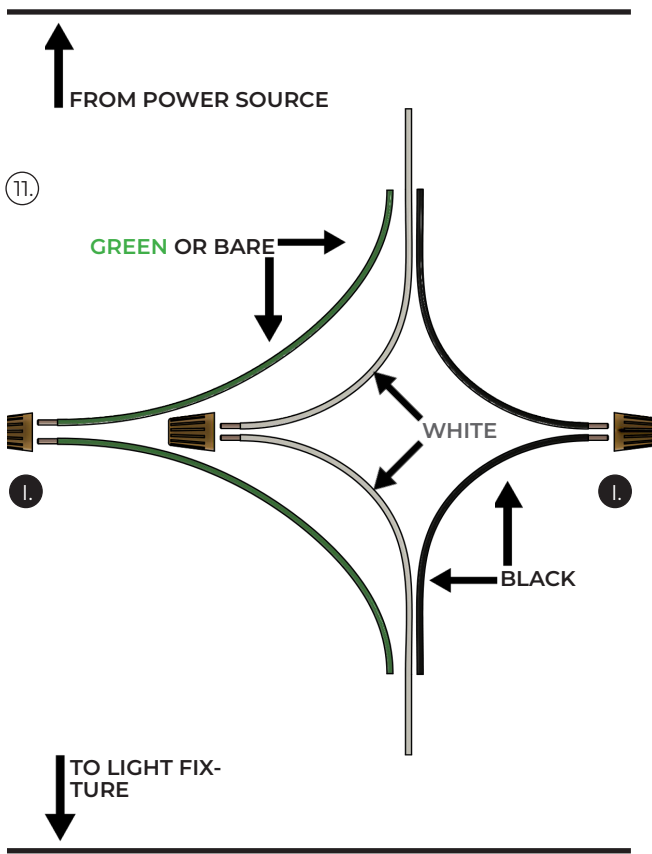


7. Mount the Bare Ground Strap (JJ) to the Round Backplate (G) in the hole marked GND using the Green Ground Screw (H).

8. Thread the two 8-32 Mounting Screws (F) through the opposite outermost slots of the Round Backplate (G) and then mount this assembly to the Ceiling Electrical Box. Ensure that the head of the Green Ground Screw (H) and Bare Ground Strap (JJ) facing downward.

9. Mount the two 8-32 Threaded Studs (K) to the corresponding holes in the Round Backplate (G). The first hole directly next to the GND hole and the second hole is directly opposite the GND hole.

10. Adjust the cord to the desired length by pulling excess cord into Canopy Plate (A) and tighten the two Plastic Mini Screws (D) provided.



11a. Connect the **BLACK** Wire from the fixture to the **BLACK** Wire from the Ceiling Electrical Box using an Orange Wire Connector (*I*) provided.

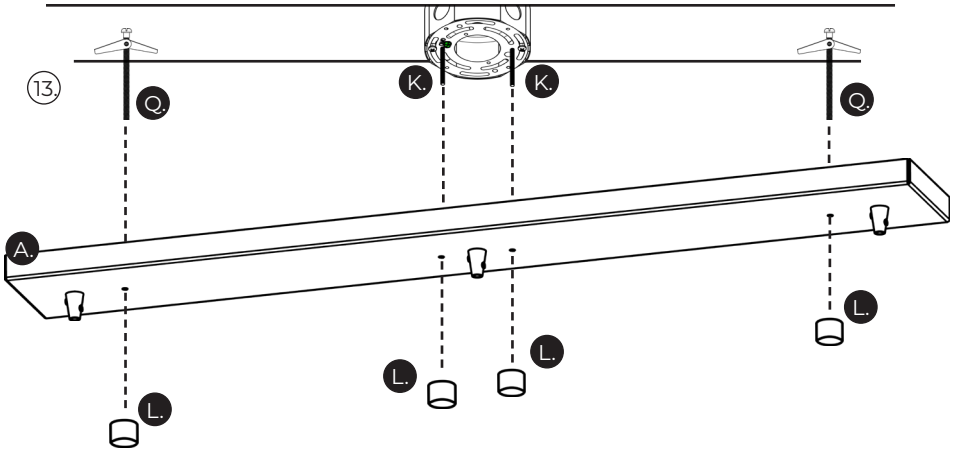
(See: NOTICE #1, WARNING #2 and WARNING #3)

11b. Connect the **WHITE** Wire from the fixture to the **WHITE** Wire from the Ceiling Electrical Box using an Orange Wire Connector (*I*) provided.

(See: NOTICE #1, WARNING #2 and WARNING #3)

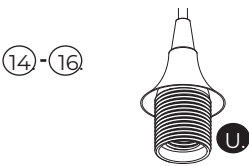
11c. Connect the **GREEN** Wire from the fixture and the **BARE** Wire from the Mounting Strap (*F*) to the **GREEN** Wire from the Ceiling Electrical Box using an Orange Wire Connector (*I*) provided.

(See: NOTICE #1, WARNING #1 and WARNING #3)

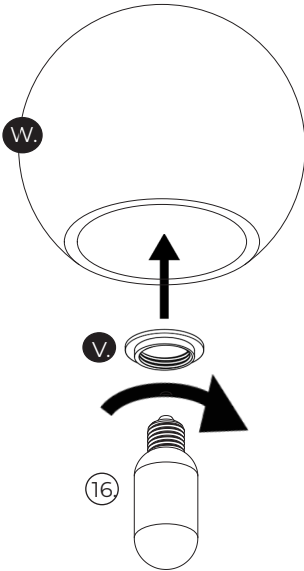


12. Carefully arrange any excess wiring and Orange Wire Connectors (I) within Canopy Plate (A) and the Ceiling Electrical Box.

13. Align the two protruding 8-32 Toggle Bolts (Q) and the two protruding 8-32 Threaded Studs (K), so that all four screws align through the holes in the Canopy Plate (A). Tighten the four 8-32 Cylindrical Finials (L) onto the Canopy Plate (A) until snug.



14. Make sure power is still **OFF**. Then remove the Shade Ring (V) from the E26 Socket Set (U) on the fixture.



15. Attach the Glass Shade (W) to the E26 Socket Set (U) through the hole at the top of the Glass Shade (W). Use the Shade Ring (V) to tighten the Glass Shade (W) to the hardware. Repeat this process for the other two pendants.

(See: NOTICE #2 and WARNING #4)

16. Install one medium E26 base light bulb into the E26 Socket Set (U). Repeat this process for the other two pendants.

(See: WARNING #5)

17. Turn **ON** Power at Breaker Box to test the fixture.

WARNINGS:

WARNING #1: Never connect Ground Wire (**GREEN** or BARE) to **WHITE**/Neutral or **BLACK**/Hot Wire.

WARNING #2: Never connect the **BLACK**/Hot Wire to **WHITE**/Neutral Wire.

WARNING #3: Orange Wire Connectors (*I*) provided are designed to connect **TWO to FOUR** 18-gage wires and may be appropriate for your wiring situation. All wiring should be snugly and securely fastened with correctly sized wire connectors. If your wiring differs from this most simple example, you should consult a qualified electrician to be sure that the wiring is done safely and correctly with appropriate sized connectors for your unique wiring situation.

WARNING #4: Do **NOT** over tighten the Shade Ring (*V*) as the Glass Shade (*W*) may crack or break.

WARNING #5: The hardware has a 60-watt *INCANDESCENT MAX* rating. Do **NOT** exceed this rating. For California residents it is recommend to not go beyond a 10-watt *LED MAX* rating.

NOTICE #1: Brushed Nickel fixtures come with clear cord. The clear cord comes with distinct heat shrink colored labels instead of fully colored wires. Other finishes come with either black or brown cord and the individual wires are **BLACK**/Hot, **WHITE**/Neutral and **GREEN**/Ground.

(SEE: 'WIRE DESIGNATION' CHART AT THE BEGINNING OF INSTRUCTIONS).

NOTICE #2: Make sure power is **OFF** before attempting to adjust the Glass Shade (*W*). The flange of the Shade Ring (*V*) (wide and flat side of the ring) screws around the E26 Socket Set (*U*) against the Glass Shade (*W*) to affix it to the lighting fixture. The hole at the top of the shade is slightly larger than the E26 Socket Set (*U*). If the shade hangs slightly crooked then hold Glass Shade (*W*) while unscrewing the Shade Ring (*V*) a few turns. Once the Glass Shade (*W*) is loose, recenter the Glass Shade (*W*) to hang straight and then re-tighten the Shade Ring (*V*) to set Glass Shade (*W*) in place.