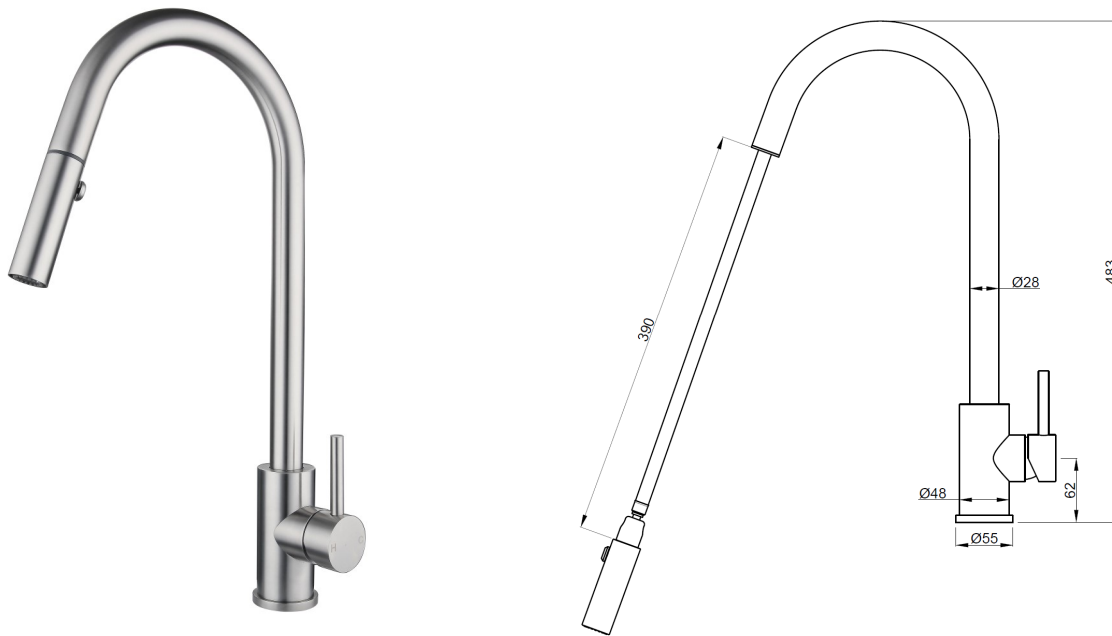


**XACTA** — XFIT800RKM / XFIT800RKM\_PS / XFIT800RKM\_BC /  
XFIT800RKM\_GM / XFIT800RKM\_RG



Note: Drawings are not to scale and are for reference only. Specifications and sizes can be changed by the manufacturer without notice. Refer to physical unit prior to installation.

**Product Specifications**

Base Material	Stainless Steel
Finish	Satin / Polished / Black & Bling / Gun Metal / Rose Gold
Installation	Xpressfit Top Mount
Height	483mm
Projection	236mm
Pull Out Features	Retractable dual spray nozzle 390mm pull out length (excl. nozzle), Remains in extended position when water pressure >200Kpa
WELS Rating	5 star water efficiency, 6.0L per minute
Cartridge Size	35mm
Warranty	2 years parts and labour, 15 years replacement on cartridge and PEX inlet hoses