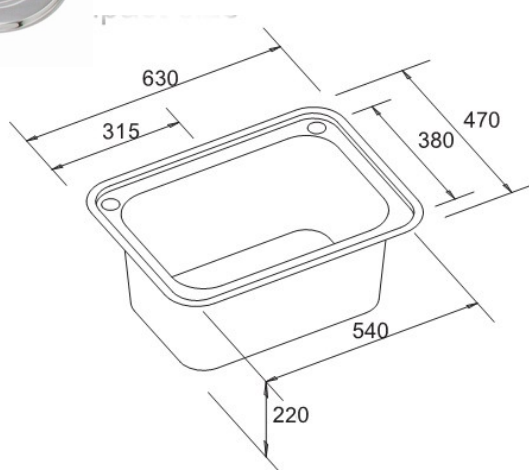


## SUP45 – Insert Laundry Tub (Flushline)



**Size: 630mm x 470mm Bowl depth: 220mm**

### Product Specification

|                 |             |
|-----------------|-------------|
| Model           | SUP45       |
| Finish          | Polished    |
| No. of Bowls    | One         |
| Waste diameter  | 90mm        |
| Stainless Steel | 0.8mm 18/10 |

Note: Drawings are not to scale and are for reference only. Specifications and sizes can be changed by the manufacturer without notice. Cut outs should be based on physical product measurements