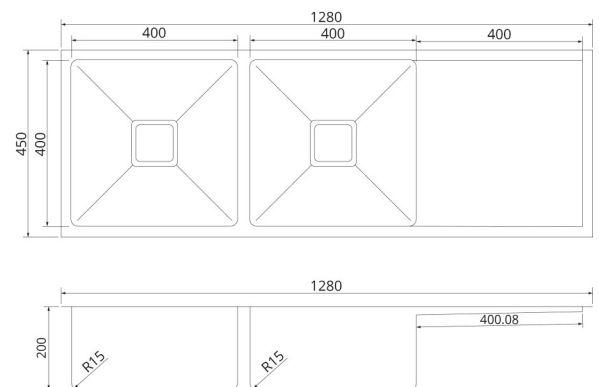


Qubix500D – Handcrafted double bowl with drainer



Product Specifications

Model	Qubix500D
Finish	Brushed stainless steel
Bowl Capacity	31L bowls
Material	1.2mm 304 Stainless Steel
Installation	Drop in or undermount
Features	<ul style="list-style-type: none"> Handmade finish R15 radius corners for easy cleaning Designer square basket waste Acoustic absorbing lining Matching accessories available
Warranty	25 years (refer to applicable warranty statement)

Note: Drawings are not to scale and are for reference only. Specifications and sizes can be changed by the manufacturer without notice. Cut outs should be based on physical product measurements