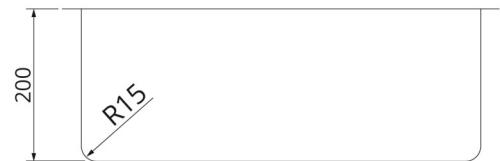
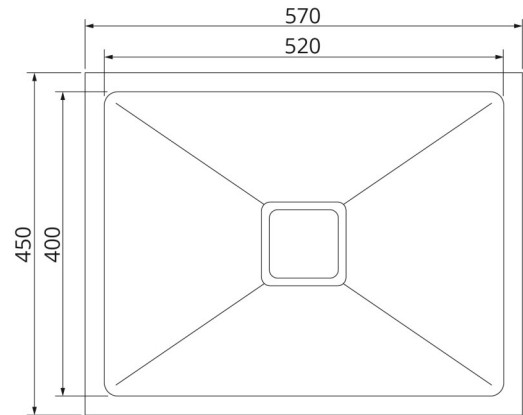


## Qubix100 – Handcrafted single bowl



### Product Specifications

<b>Model</b>	Qubix100
<b>Finish</b>	Brushed stainless steel
<b>Bowl Capacity</b>	40L bowl
<b>Material</b>	1.0mm 304 Stainless Steel
<b>Installation</b>	Drop in or undermount
<b>Features</b>	<ul style="list-style-type: none"> <li>Handmade finish</li> <li>R15 radius corners for easy cleaning</li> <li>Designer square basket waste</li> <li>Acoustic absorbing lining</li> <li>Matching accessories available</li> </ul>
<b>Warranty</b>	25 years (refer to applicable warranty statement)

Note: Drawings are not to scale and are for reference only. Specifications and sizes can be changed by the manufacturer without notice. Cut outs should be based on physical product measurements