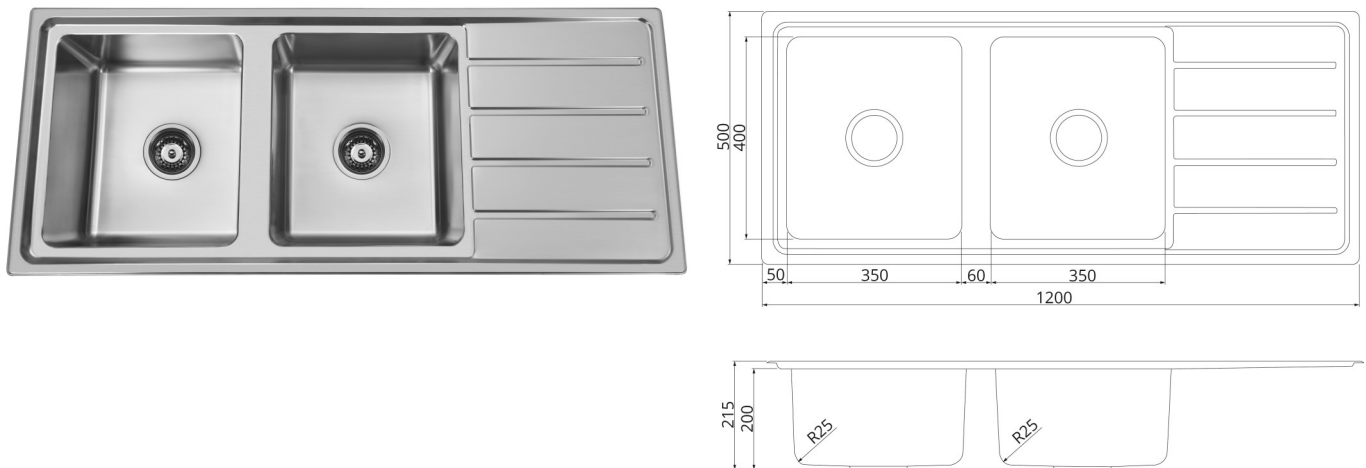


Mason600 – Double bowl with modern drainer



Product Specifications

Model	Mason600
Finish	Brushed stainless steel
Bowl Capacity	25L & 25L bowl
Material	0.8mm 304 Stainless Steel
Installation	Overmount
Features	<ul style="list-style-type: none"> R25 radius corners a contemporary square look Modern straight pattern drainer Laser cut edges for a flush finish Left or right hand bowl configuration With or without tap hole Acoustic absorbing lining Matching accessories available
Warranty	25 years (refer to applicable warranty statement)

Note: Drawings are not to scale and are for reference only. Specifications and sizes can be changed by the manufacturer without notice. Cut outs should be based on physical product measurements