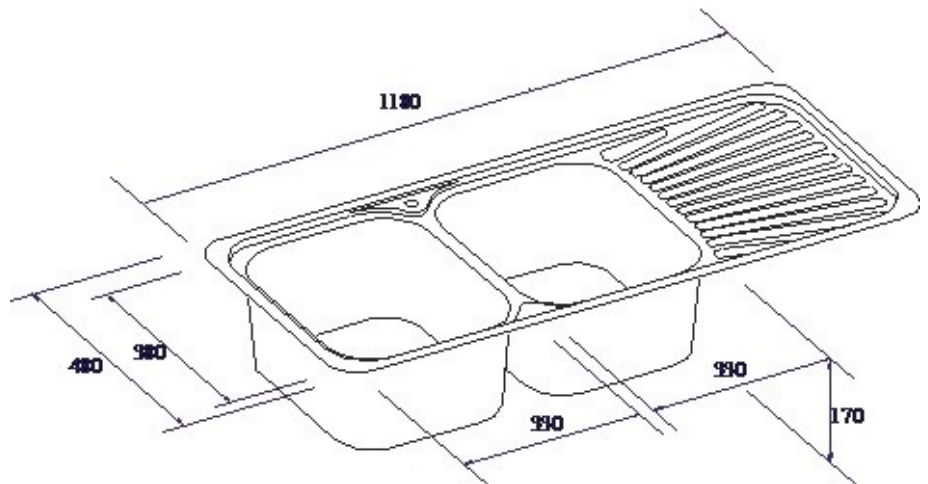


## Maddison 600 – Double Bowl, Single Drainer



### Product Specification

Model	Maddison 600
Finish	Polished
No. of Bowls	Two
Configurations	Left / Right Hand Bowl With / Without taphole
Waste diameter	90mm
Stainless Steel	0.8mm 18/10

Note: Drawings are not to scale and are for reference only. Specifications and sizes can be changed by the manufacturer without notice. Cut outs should be based on physical product measurements