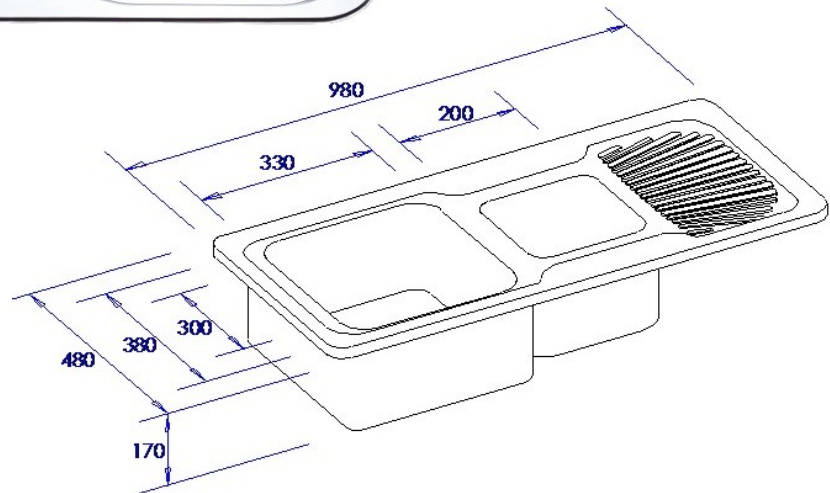


Maddison 250 / 250s - 1 & 1/2 Bowl, Single Drainer



Product Specification

Model	Maddison 250
Finish	Polished
No. of Bowls	Two
Configurations	Left / Right Hand Bowl With / Without taphole
Waste diameter	90mm
Stainless Steel	0.8mm 18/10

Note: Drawings are not to scale and are for reference only. Specifications and sizes can be changed by the manufacturer without notice. Cut outs should be based on physical product measurements