

Suprema™

TIMELESS • TESTED • TRUSTED



kitchen range

www.suprema.com.au

sinks

Suprema sinks are crafted from corrosion resistant 304 stainless steel. All sinks are individually packaged, with pop up basket wastes, gasket seals and reversible clips.

Each sink is coated with an acoustic absorbing underlining and comes with a 25 year manufacturer's warranty.

Accessories are available to complement your sink, making food preparation and washing up easier.

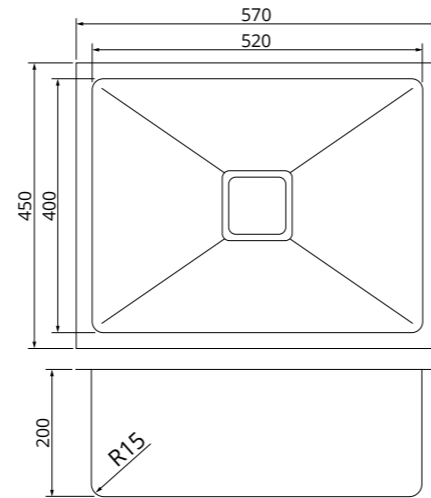
QUBIX100 - Handcrafted single bowl

Dimensions: 570 x 450mm Bowl Depth: 200mm Capacity: 40L

Options: SP DT CB



- 15mm radius corners for a modern look yet easy to clean
- Matching designer square waste
- 1.0mm 304 brushed finish stainless steel
- Undermount / overmount installation



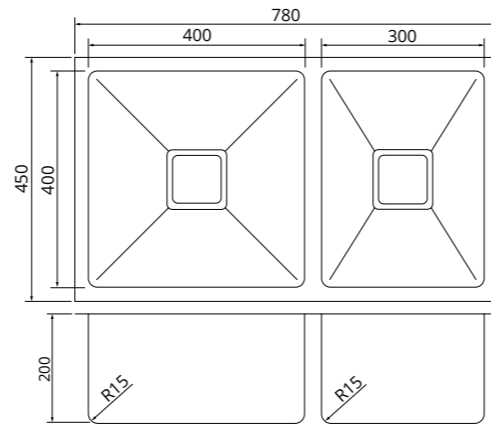
QUBIX400 - Handcrafted 1 & 3/4 bowl

Dimensions: 780 x 450mm Bowl Depth: 200mm Capacity: 31L & 23L

Options: SP DT CB



- 15mm radius corners for a modern look yet easy to clean
- Matching designer square waste
- 1.0mm 304 brushed finish stainless steel
- Undermount / overmount installation



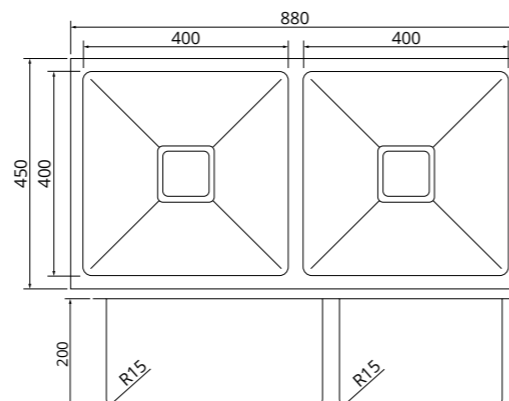
QUBIX500 - Handcrafted double bowl

Dimensions: 880 x 450mm Bowl Depth: 200mm Capacity: 31L

Options: SP DT CB



- 15mm radius corners for a modern look yet easy to clean
- Matching designer square waste
- 1.0mm 304 brushed finish stainless steel
- Undermount / overmount installation

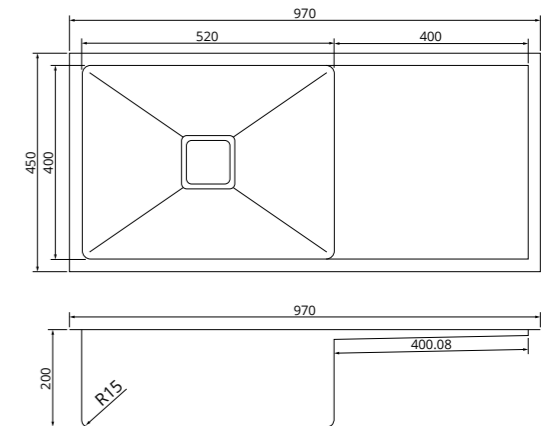


QUBIX100D - Handcrafted single bowl with drainer

Dimensions: 970 x 450mm Bowl Depth: 200mm Capacity: 40L Options: SP DT CB



- 15mm radius corners for a modern look yet easy to clean
- Matching designer square waste
- 1.2mm 304 brushed finish stainless steel
- Undermount / overmount installation

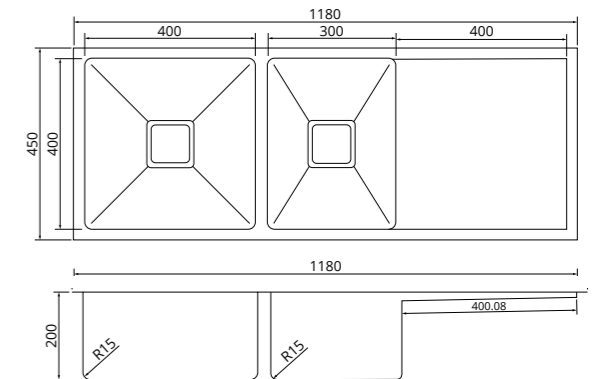


QUBIX400D - Handcrafted 1 & 3/4 bowl with drainer

Dimensions: 1180 x 450mm Bowl Depth: 200mm Capacity: 31L & 23L Options: SP DT CB



- 15mm radius corners for a modern look yet easy to clean
- Matching designer square waste
- 1.2mm 304 brushed finish stainless steel
- Undermount / overmount installation

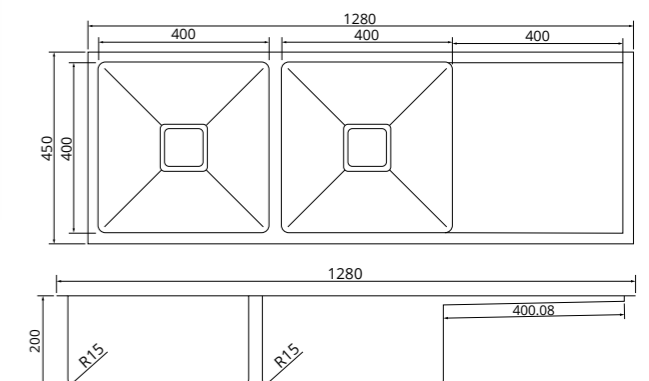


QUBIX500D - Handcrafted double bowl with drainer

Dimensions: 1280 X 450mm Bowl Depth: 200mm Capacity: 31L Options: SP DT CB



- 15mm radius corners for a modern look yet easy to clean
- Matching designer square waste
- 1.2mm 304 brushed finish stainless steel
- Undermount / overmount installation



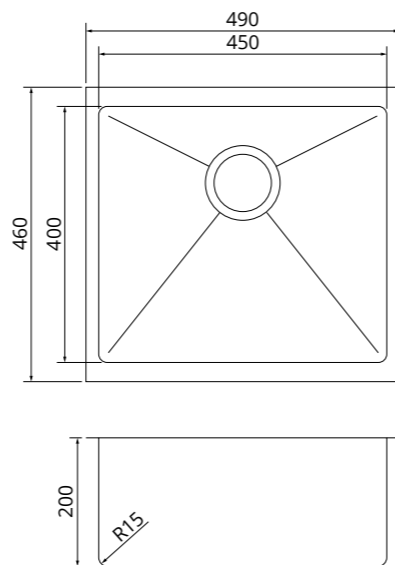
ASHTON100 - Handcrafted single bowl

Dimensions: 490 x 460mm Bowl Depth: 200mm Capacity: 35L

Options: SP DT CB



- 15mm radius corners for a modern look yet easy to clean
- Rear positioned round waste
- 1.0mm 304 brushed finish stainless steel
- Undermount / overmount installation

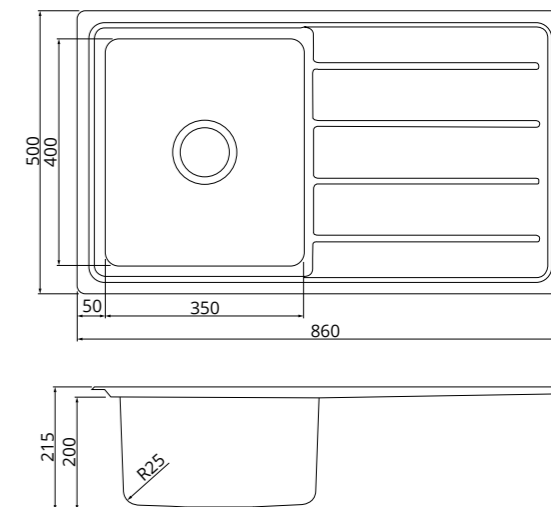


MASON100 - Single bowl with drainer

Dimensions: 500 x 860mm Bowl Depth: 200mm Capacity: 25L Options: SP CB WDB



- 25mm radius corners for a contemporary square look
- Straight pattern embossed drainer with laser cut edges for a flush finish
- Available with or without taphole
- Choice of left or right hand bowl configuration
- 0.8mm 304 brushed stainless steel
- Overmount installation



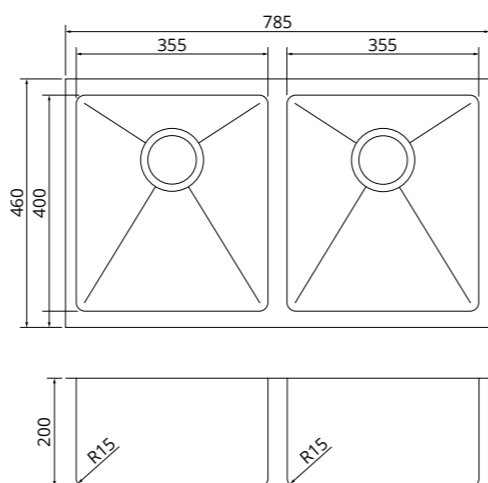
ASHTON500 - Handcrafted double bowl

Dimensions: 785 x 460mm Bowl Depth: 200mm Capacity: 27L

Options: SP DT CB



- 15mm radius corners for a modern look yet easy to clean
- Rear positioned round waste
- 1.0mm 304 brushed finish stainless steel
- Undermount / overmount installation

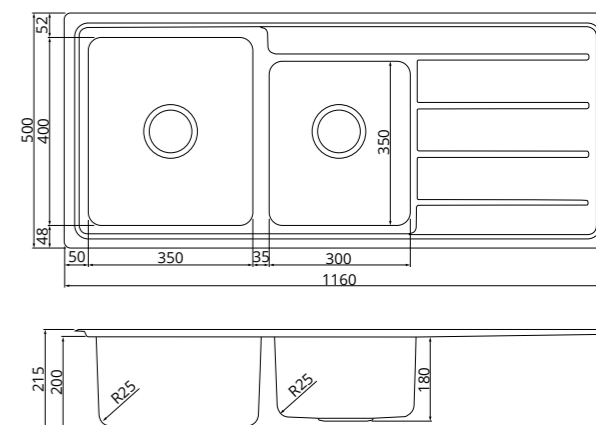


MASON300 - 1 & 3/4 bowl with drainer

Dimensions: 500 x 1160mm Bowl Depth: 200mm & 180mm Capacity: 25L & 17L Options: SP CB WDB



- 25mm radius corners for a contemporary square look
- Straight pattern embossed drainer with laser cut edges for a flush finish
- Available with or without taphole
- Choice of left or right hand bowl configuration
- 0.8mm 304 brushed stainless steel
- Overmount installation

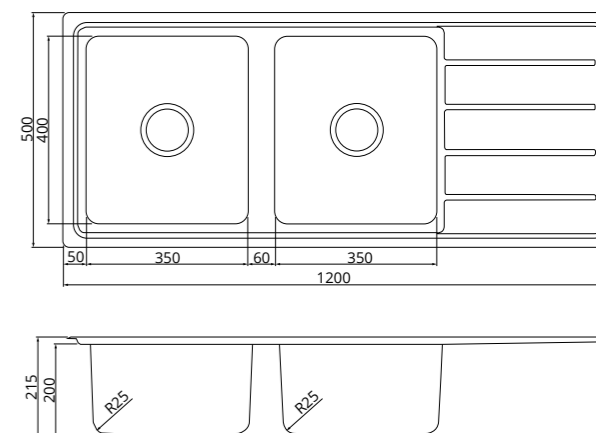


MASON600 - Double bowl with drainer

Dimensions: 500 x 1200mm Bowl Depth: 200mm & 200mm Capacity: 25L & 25L Options: SP CB WDB

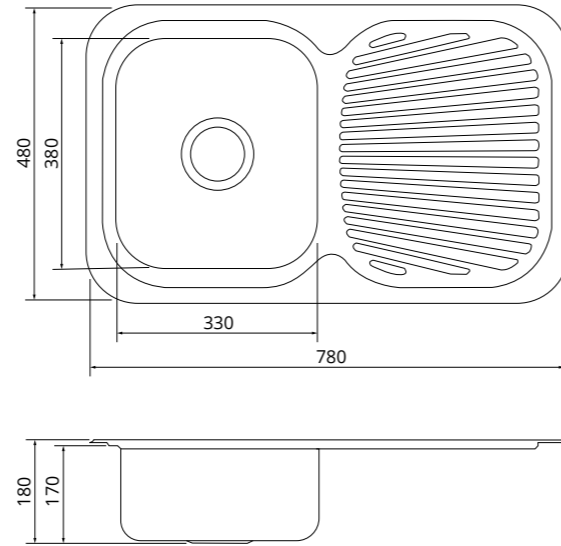


- 25mm radius corners for a contemporary square look
- Straight pattern embossed drainer with laser cut edges for a flush finish
- Available with or without taphole
- Choice of left or right hand bowl configuration
- 0.8mm 304 brushed stainless steel
- Overmount installation



MADDISON200 - Single bowl with drainer

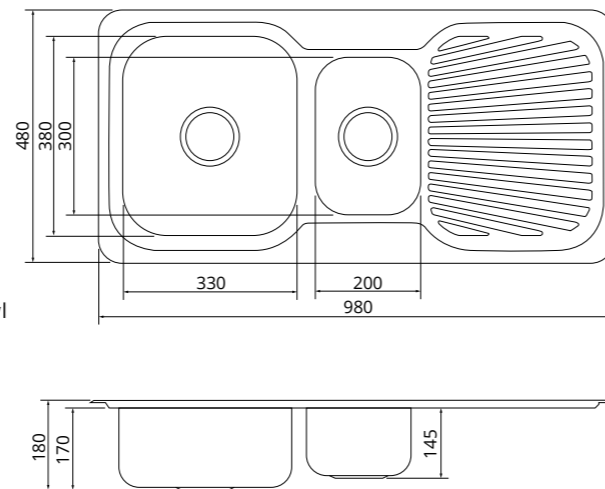
Dimensions: 480 x 780mm Bowl Depth: 170mm Capacity: 19L Options: PC WDB CB



- Timeless and functional design
- Laser cut edges creating a flush finish with the benchtop
- Available with or without taphole
- Choice of left or right hand bowl configuration
- 0.8mm 304 polished finish stainless steel
- Overmount installation

MADDISON250 - 1 & 1/2 bowl with drainer

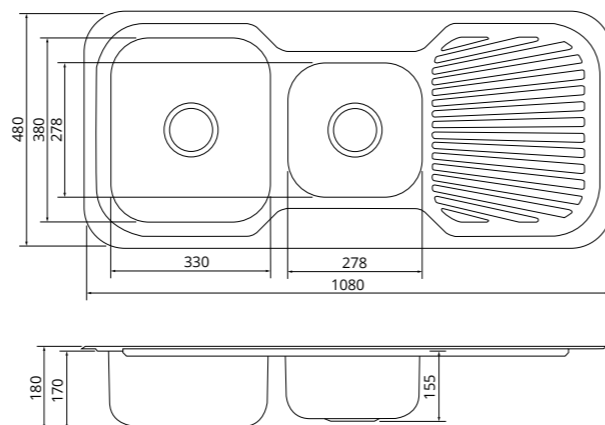
Dimensions: 480 x 980mm Bowl Depth: 170mm & 145mm Capacity: 19L & 7.2L Options: SSC PC WDB CB



- Timeless and functional design
- Laser cut edges creating a flush finish with the benchtop
- Available with or without taphole
- Choice of left or right hand bowl configuration
- 0.8mm 304 polished finish stainless steel
- Overmount installation

MADDISON300 - 1 & 3/4 bowl with drainer

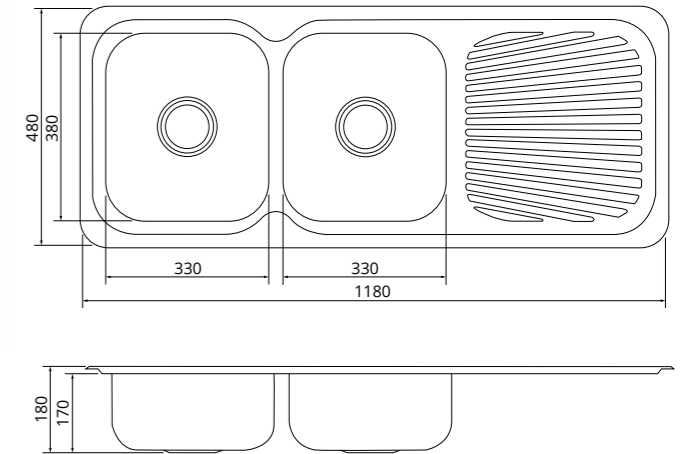
Dimensions: 480 x 1080mm Bowl Depth: 170mm & 155mm Capacity: 19L & 10L Options: SSC PC WDB CB



- Timeless and functional design in a polished finish
- Laser cut edges creating a flush finish with the benchtop
- Available with or without taphole
- Choice of left or right hand bowl configuration
- 0.8mm 304 polished finish stainless steel
- Overmount installation

MADDISON600 - Double bowl with drainer

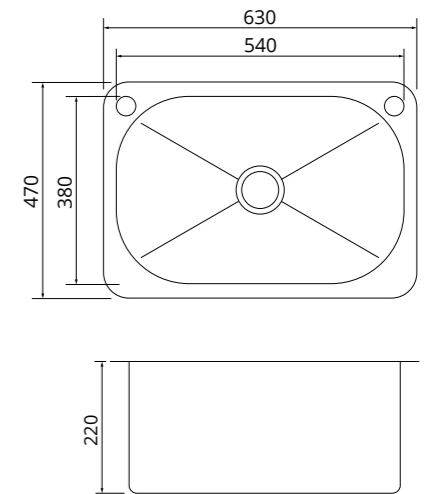
Dimensions: 480 x 1180mm Bowl Depth: 170mm & 170mm Capacity: 19L & 19L Options: PC WDB CB



- Timeless and functional design in a polished finish
- Laser cut edges creating a flush finish with the benchtop
- Available with or without taphole
- Choice of left or right hand bowl configuration
- 0.8mm 304 polished finish stainless steel
- Overmount installation

SUP45 - Flushline inset laundry tub

Dimensions: 470 x 630mm Bowl Depth: 220mm Capacity: 45L



- Space saving design
- Left and right pre-punched by-pass holes
- By-pass kit and 90mm plug and waste included
- 0.8mm 304 polished finish stainless steel

mixers



CRUZSKM - Cruz sink mixer

Height: 338mm Projection: 198mm

- Modern square look mixer with defined edge handle
- Brass body with a scratch resistant chrome finish
- Ceramic disc cartridge technology
- WELS 4 star 6.5L/min rating



ALBASKM - Alba sink mixer

Height: 338mm Projection: 198mm

- Modern square look mixer with rounded edge handle
- Brass body with a scratch resistant chrome finish
- Ceramic disc cartridge technology
- WELS 4 star 6.5L/min rating



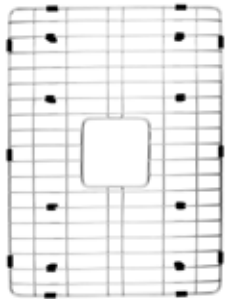
SUP900 - Pull out mixer

Height: 328mm Projection: 196mm

- Mixer with pull out veggie spray
- Dual spray pattern aerator
- Elegant level handle
- Brass body with a scratch resistant chrome finish
- WELS 4 star 7.5L/min rating

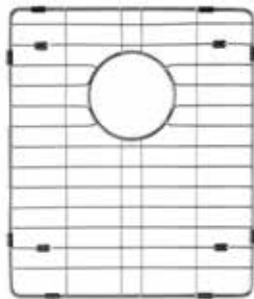
accessories

Complete your sink with compatible and functional accessories, to make food preparation and washing up easier.



**QUB100GRD/QUB400GRD/
QUB500GRD**
Sink Protector

Complements Qubix range



**ASH100GRD/
ASH500GRD**
Sink Protector

Complements Ashton range



WB300
Wire Dish Basket

Dimensions: 365 x 310mm
Complements Maddison & Mason range



CSQUADCL
Stainless steel draining tray

Dimensions: 435 x 250 x 30mm
Complements Qubix & Ashton range



CL900
Stainless steel draining tray

Complements Mason range



CL300
Stainless steel colander

Dimensions: 330 x 230 x 120mm
Complements Maddison250



CL600
Stainless steel colander

Dimensions: 300 x 300 x 116mm
Complements Maddison300



PB200
Plastic colander

Dimensions: 375 x 240 x 125mm
Complements Maddison range



CSQUADCB
Wooden cutting board

Dimensions: 425 x 277mm
Complements Qubix range



CB800
Wooden cutting board

Dimensions: 420 x 365mm
Complements Ashton range



CB900
Wooden cutting board

Dimensions: 420 x 370mm
Complements Mason range



CB600
Wooden cutting board

Dimensions: 400 x 350mm
Complements Maddison range