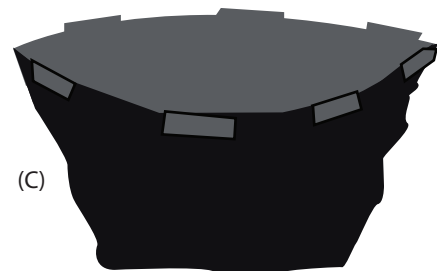
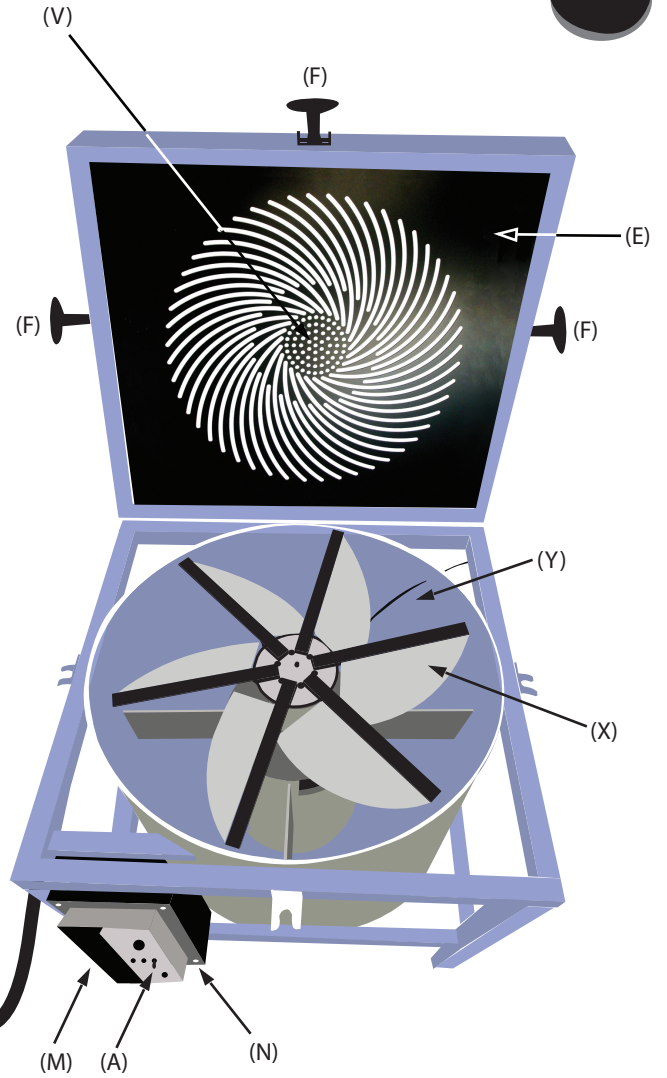
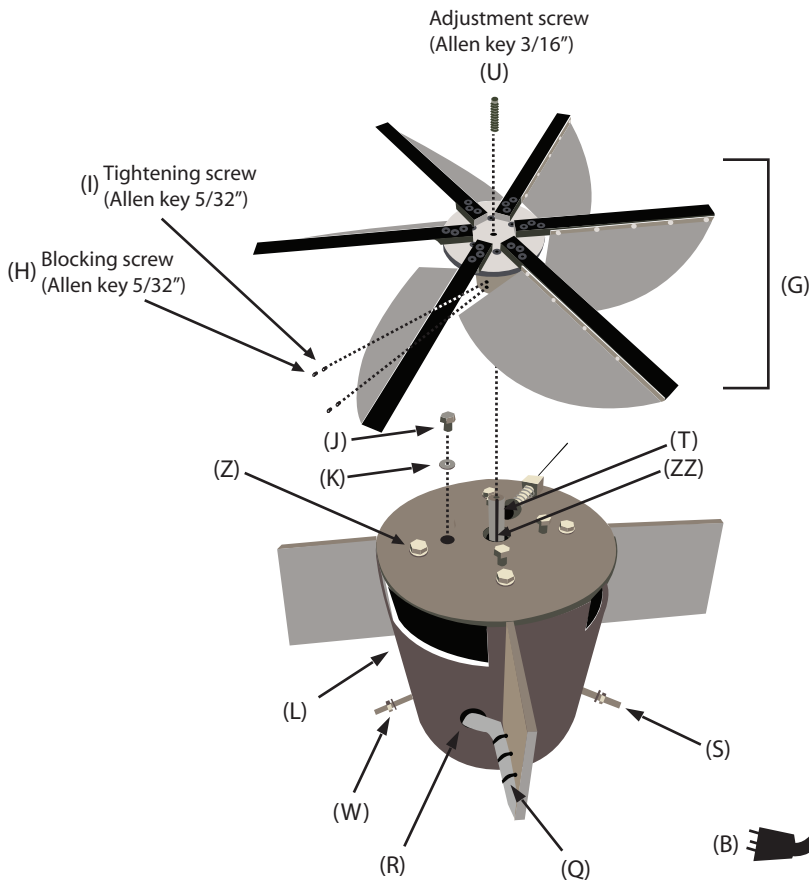




**MOTOR REPLACEMENT :
STEP BY STEP.**

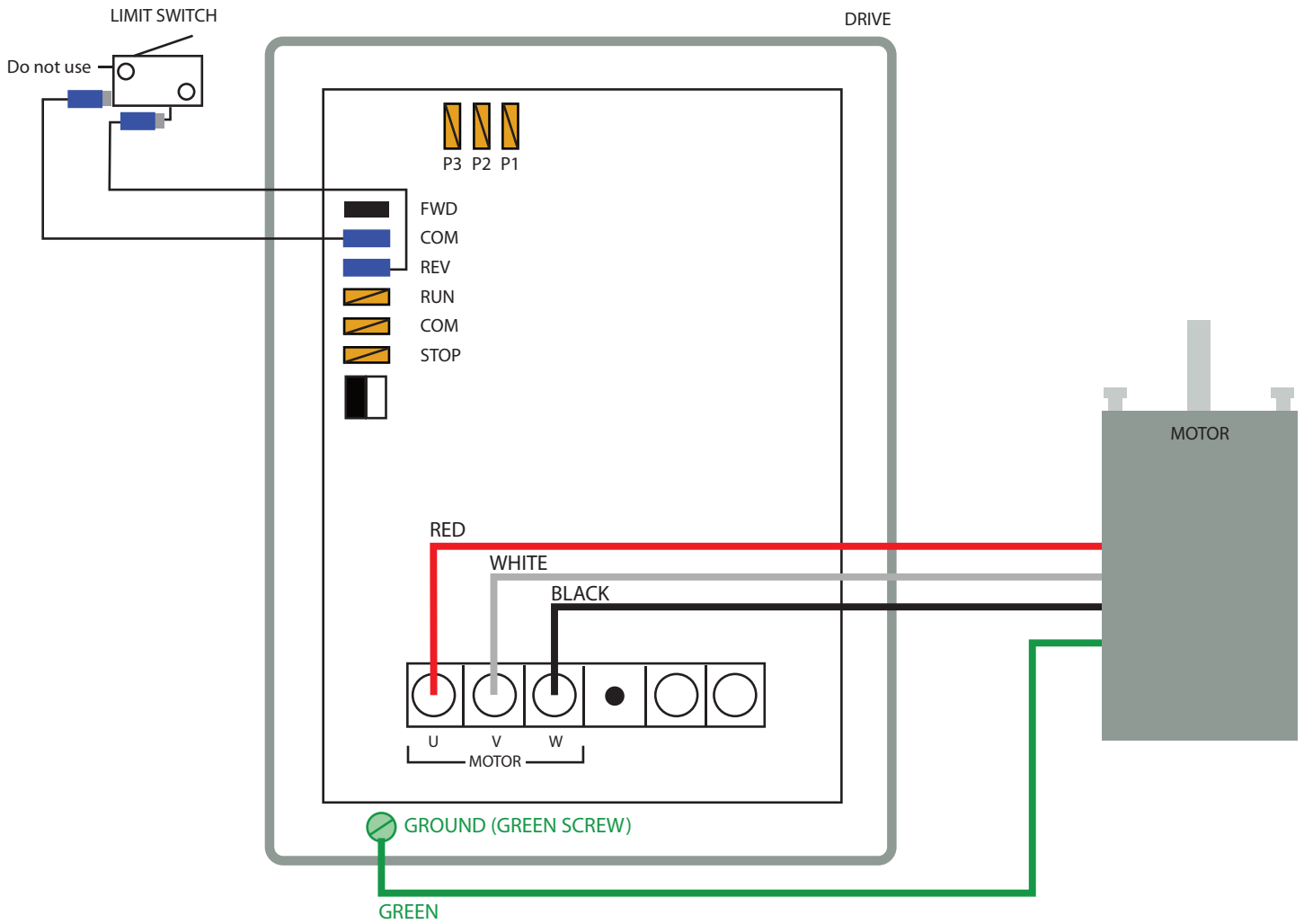


Electrical Diagram



North America (110V)

www.trimpro.ca

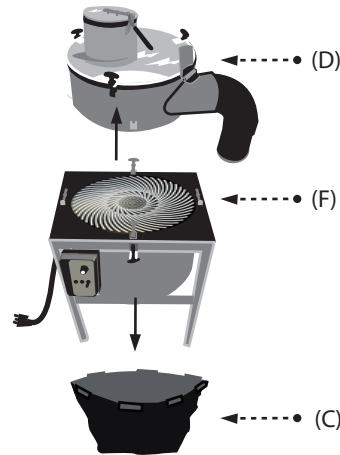
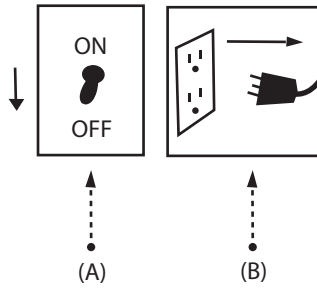


THE TWO WIRE COMING FROM THE LIMIT SWITCH:
 Plug one wire into "COM" and the other into "REV".
 If it does not work properly, reverse the two wires.
 There is no risk or danger.

= ALREADY USED. DON'T TOUCH.
 = CONNECT FROM LIMIT SWITCH

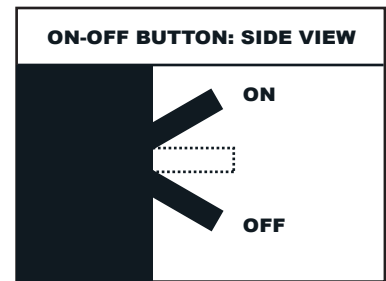


1

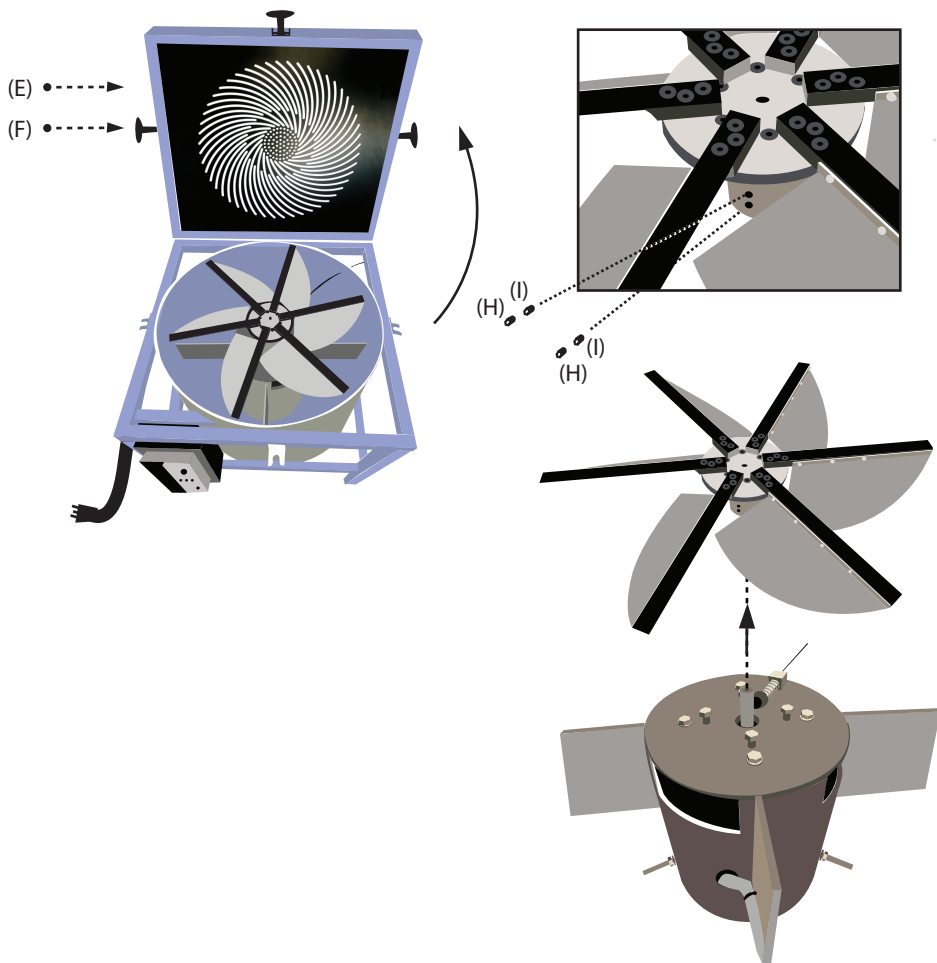


Turn OFF the machine with the ON-OFF switch* (A) and unplug the power cord (B) from the electrical outlet. Remove the bag (C) using the Velcro strips on top and remove the circular aluminium & plastic structure (D) using the 4 rubber fasteners (F).

*Beware: The switch has 3 positions. ON is upper position and OFF is lower position. The middle position is not available. See diagram below.



2



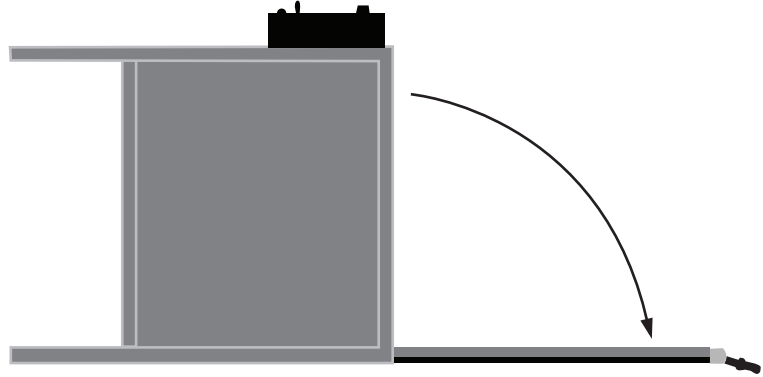
Open the lid (E) using the 3 rubber fasteners (F).

To remove the blade assembly (blade + hub) (G), completely remove the 2 blocking screws (H), loosen the 2 tightening screws (I) and raise the blade assembly (G) from the motor shaft.

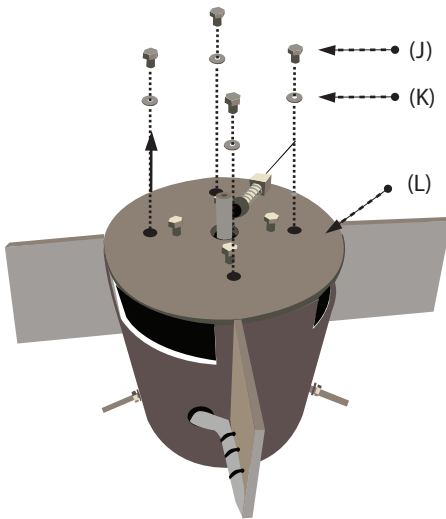
3



Close the lid with the 3 rubber fasteners (F). Lay the machine on its back and open the lid.

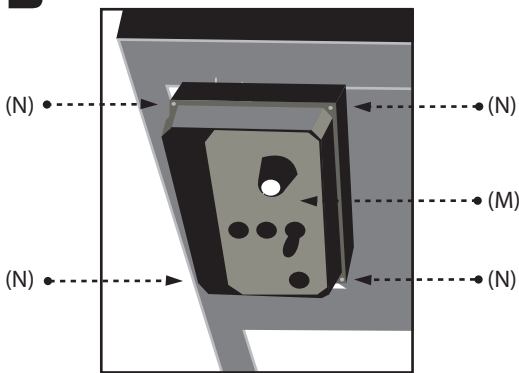


4

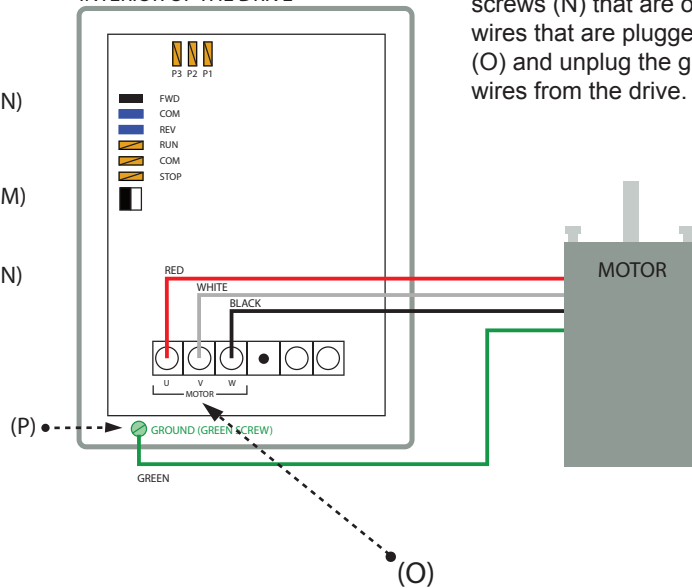


Remove the 4 bolts (J) and 4 lock washers (K) from the structure that holds the motor (later referred as the motor-hub) (L).

5



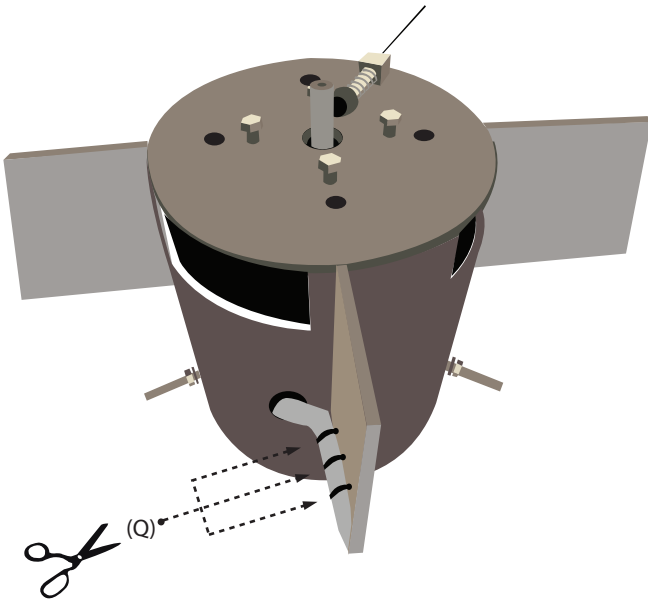
INTERIOR OF THE DRIVE



Open the motor drive (M) by removing the 4 screws (N) that are on its lid. Unplug the 3 wires that are plugged to the motor section (O) and unplug the ground (P). Remove the wires from the drive.

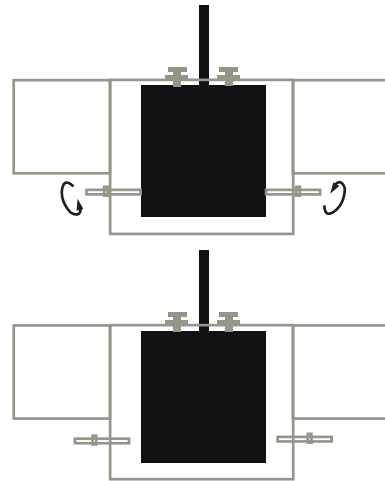
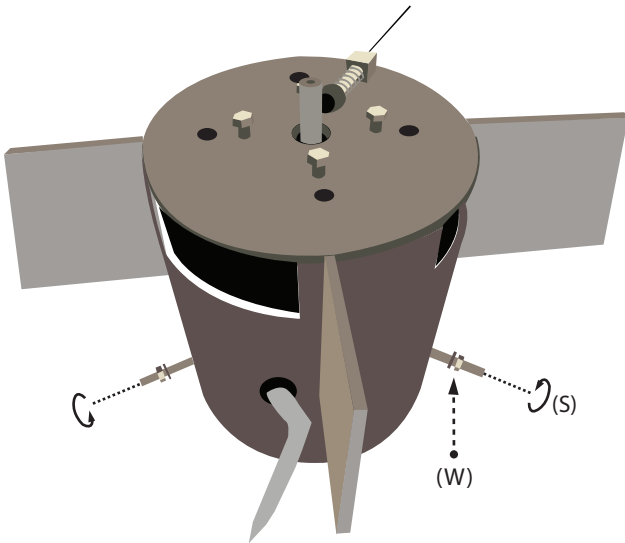
6

Cut the 3 plastic attachments (ty-rap) (Q) that are holding the wires of the motor.



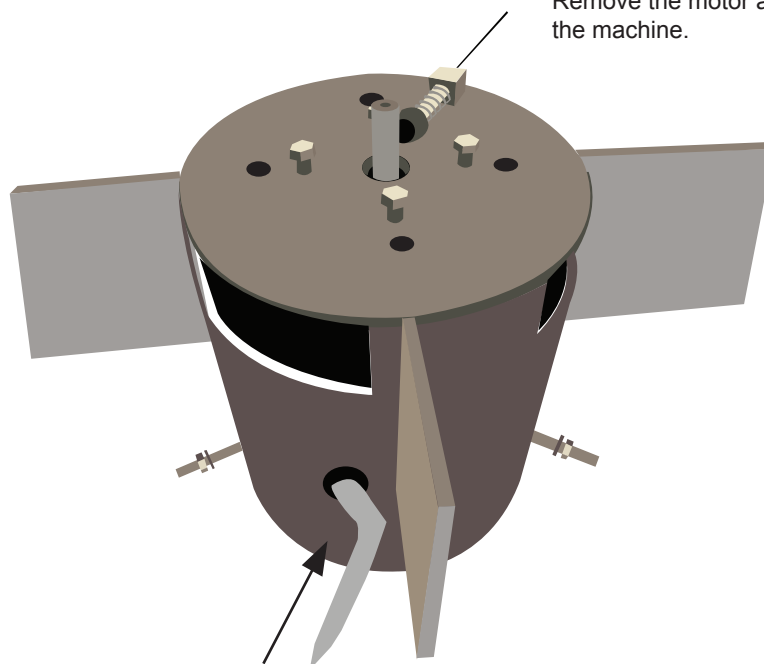
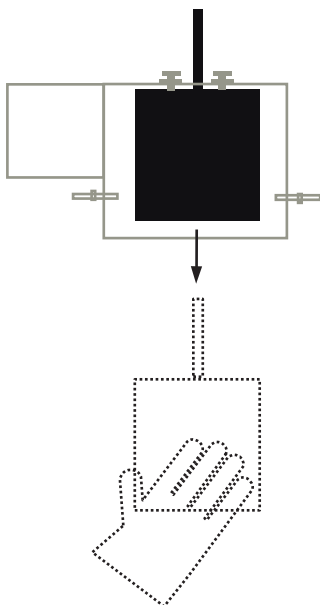
7

Loosen the 3 motor-hub nuts (W) and washers. Unscrew the 3 motor-hub bolts (S).



8

Remove the motor and its wirings from the machine.

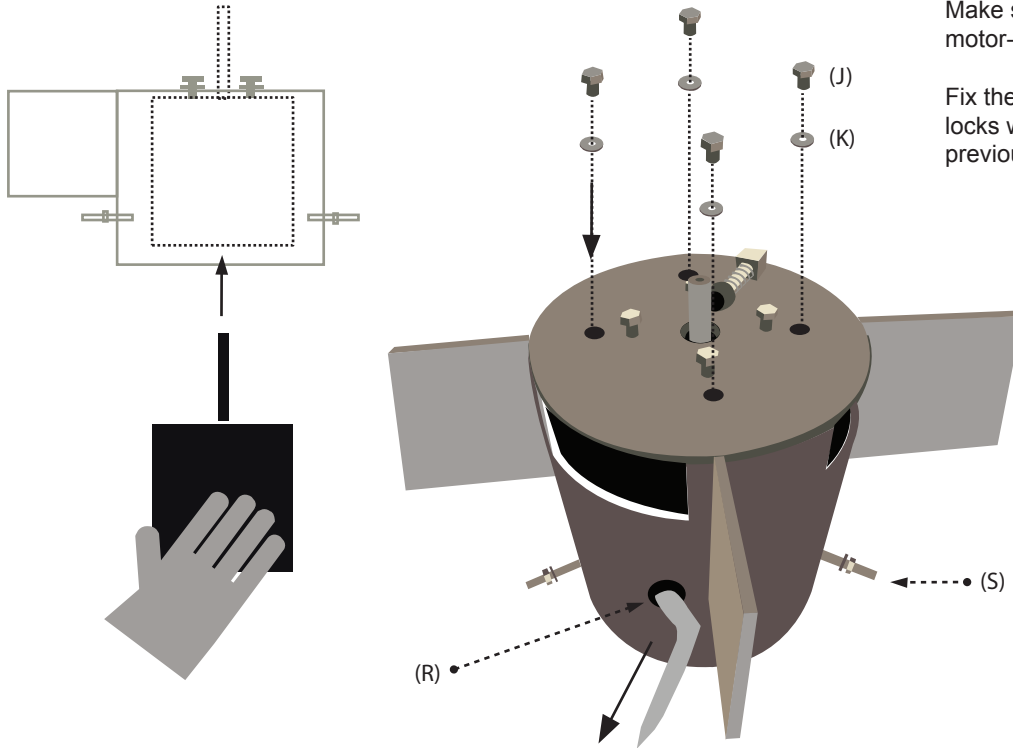


9

To install the new motor, place the electrical wires through the hole (R) in the motor-hub.

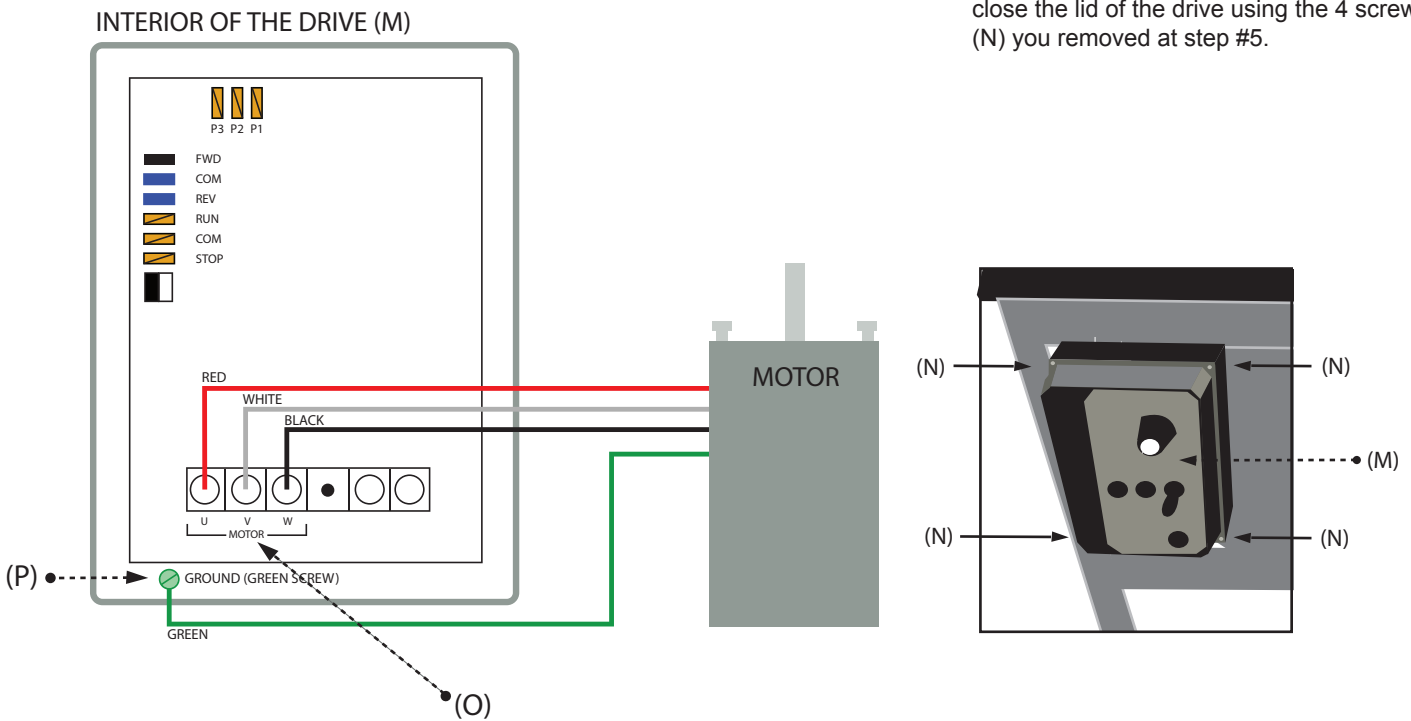
Make sure the wires do not obstruct the 3 motor-hub bolts (S).

Fix the motor to the structure using the 4 locks washers (K) and the 4 bolts (J) you previously removed at step #4.

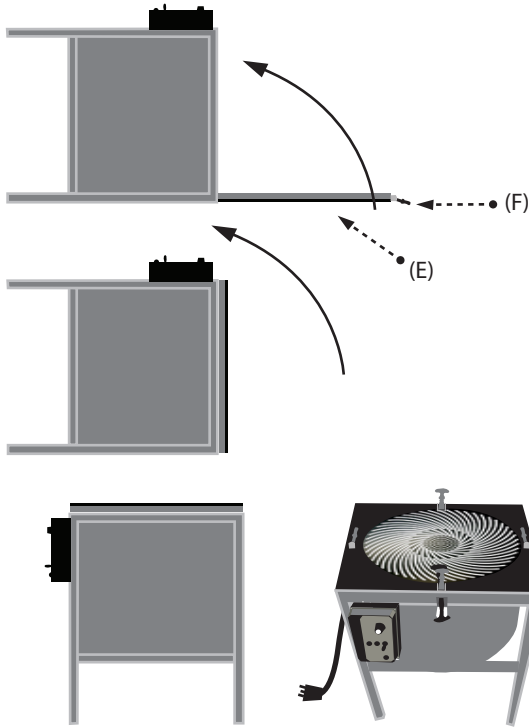


10

Plug the wires in the motor section (O) of the drive (M) following the electrical diagram below. Plug the ground wire (P) as well and close the lid of the drive using the 4 screws (N) you removed at step #5.



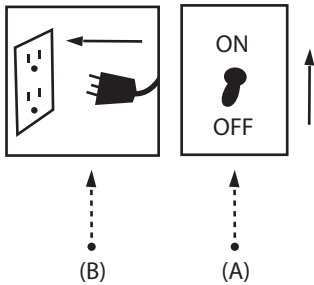
11



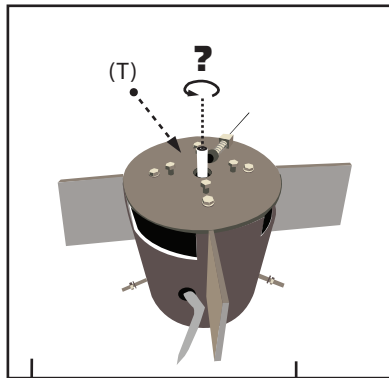
Close the lid of the machine (E) using the 3 rubber fasteners (F) and place the machine upright.

12 Check if electricity goes to the motor

12.1: Plug and switch ON.



12.2: Is the motor turning?



Plug the machine to the electrical outlet (B) and turn ON the machine with the On-Off switch (A). If the motor shaft (T) turns, it confirms the electrical connection to the motor. Check if the motor turns counterclockwise.

If it works and turns in the right direction, turn OFF the machine with the On-Off switch (A), unplug the machine from the electrical outlet (B) and go to step # 14.

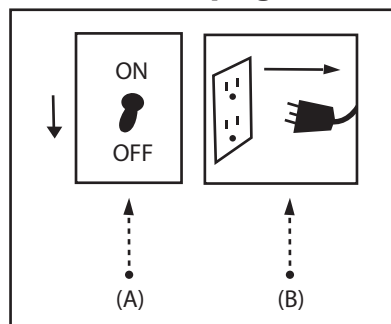
If it is not working, go to step # 13.

YES

NO

(See next page on step #13)

12.3: Off + Unplug



13 If the motor is not turning while the machine is ON.

Make sure the lid is closed.

If the motor is not turning while the machine is ON, check the electrical outlet.

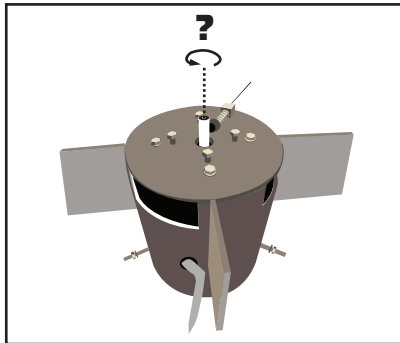
If this is not the problem, turn OFF the machine and unplug the power cord. Open the drive (M) with the 4 screws (N) to check if the wires and connectors are all correctly connected to the drive.

Once the connections are verified, install the lid on the drive and test the machine again. If everything is back to normal, go to step #14.

If the motor is still not turning, contact Trimpro.

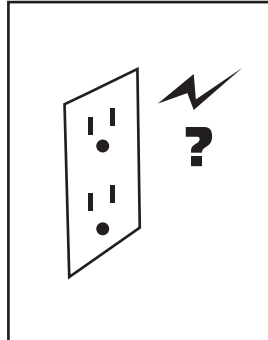
13.1: Make sure the lid is closed.

13.2 : Is the motor turning?



NO →

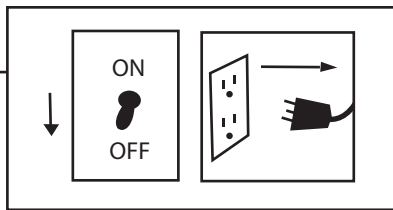
13.3 : Is the electricity working?



NO →

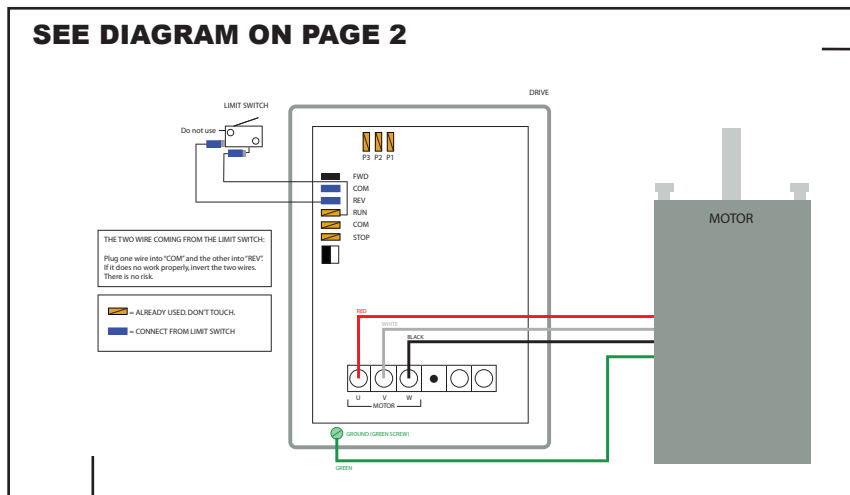
Use another electrical outlet.

13.4: Off + Unplug



YES →

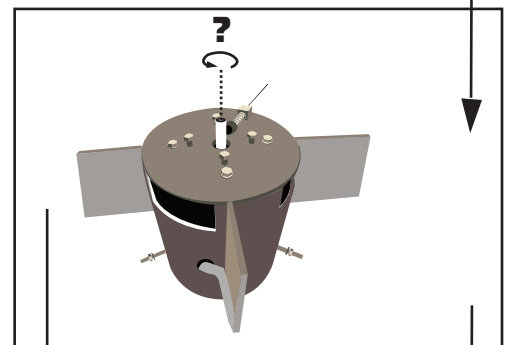
13.5 : Open the drive (M) and consult the Trimpro XL electrical diagram (page #2 of this document). Is the wiring properly connected?



NO →

13.6 : Fix the connections.

13.7 : Is the motor turning?



YES →

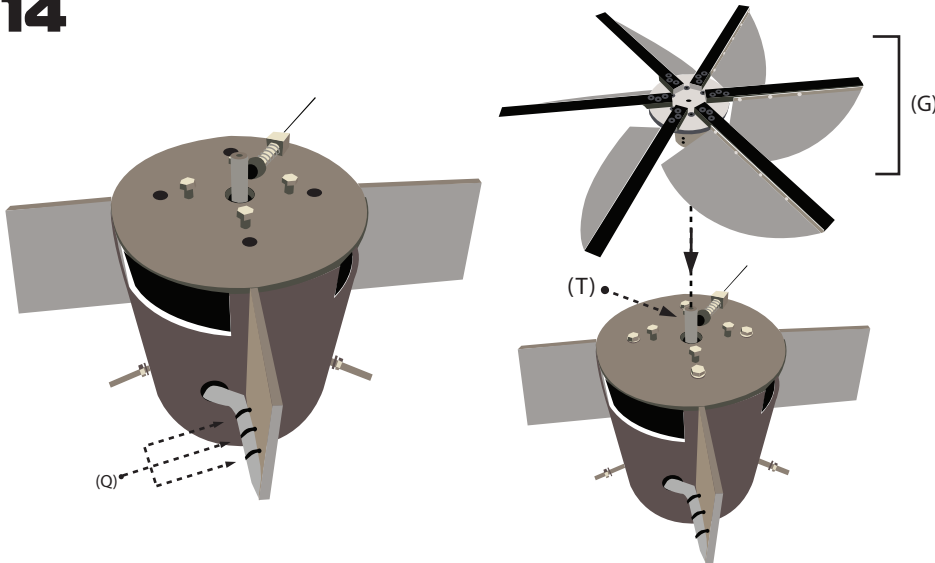
NO →

Go to step 14.

Contact TRIMPRO:

**info@trimpro.ca
 T. 450 349 0811**

14

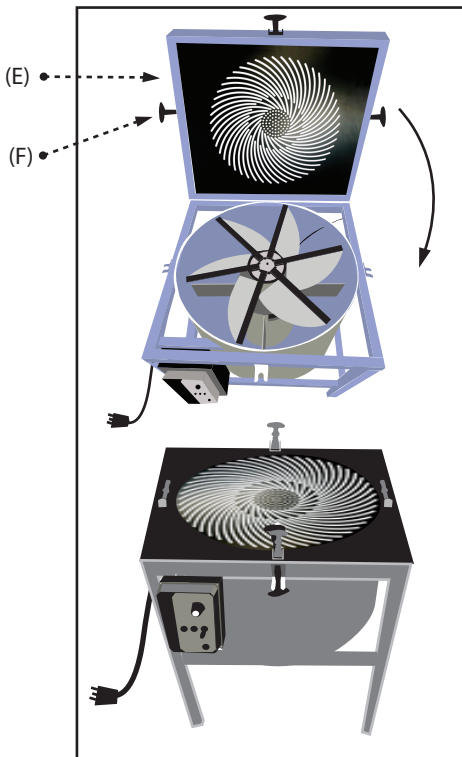


Attach the wiring to the frame with the 3 plastic attachment (Ty-Rap) (Q) supplied with the new motor.

Put back the blade-assembly (G) over the motor shaft (T).

15

15.1: Close the lid.

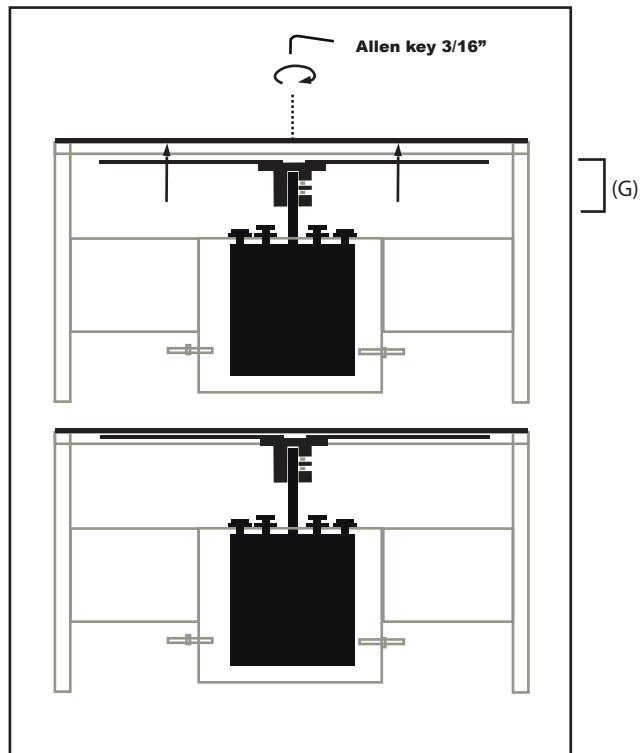


Close the lid (E) using the 3 rubber fasteners (F). Make sure there is nothing (plant residue, etc.) between the frame that holds the grate and the bottom frame.

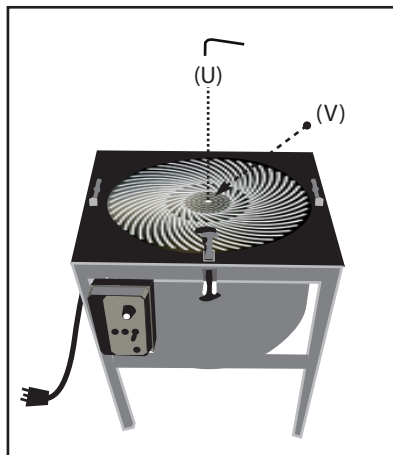
Using the Allen key (supplied with the machine) lift the blade-assembly (G) to its highest position without touching the grate (Approximately 1/8" between the grate and the blade). A hole (V) in the center of the grate gives access to the adjustment screw (U).

To raise the blade, turn clockwise.
To lower the blade, turn counterclockwise and push the blade-assembly downward to make sure it properly sit on the motor shaft.

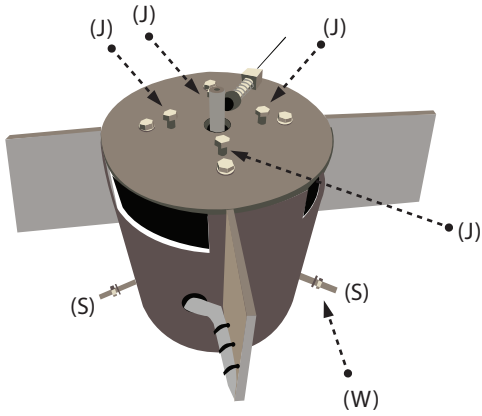
15.2: Place the blade at its highest position (without touching the grate).



Access to adjustment screw



16 Level out the distance



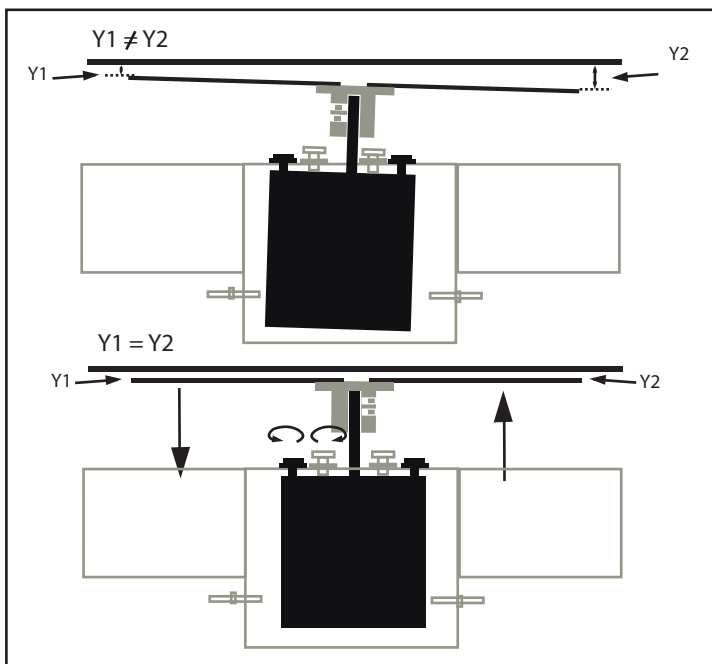
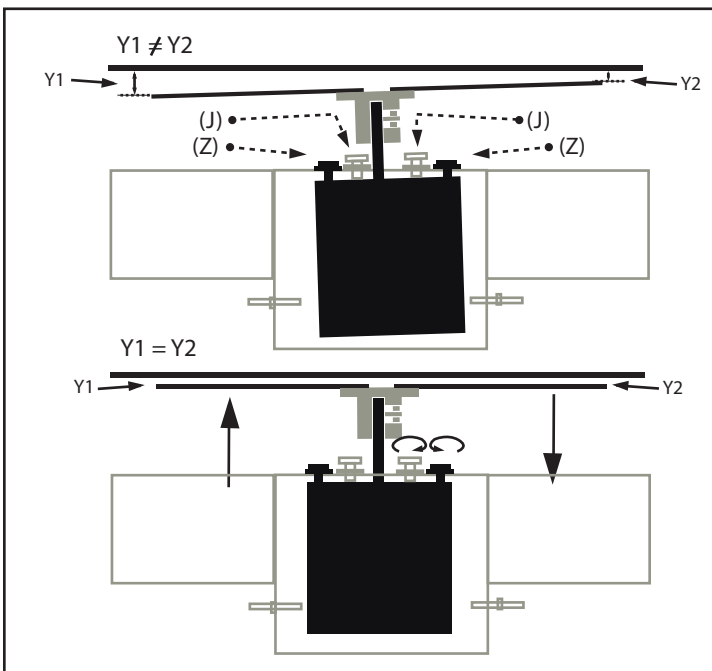
Select two blades, one in front of the other and check if they are at equal distance to the grate from each of their extremities (Y1 & Y2).

If YES, gently tighten the motor-hub bolts (S) until they just touch the motor. These bolts should not exert any pressure on the motor. **(Beware! Too much pressure on the motor can damage it!)** Tighten the nuts (W) and washers that are on the bolts.

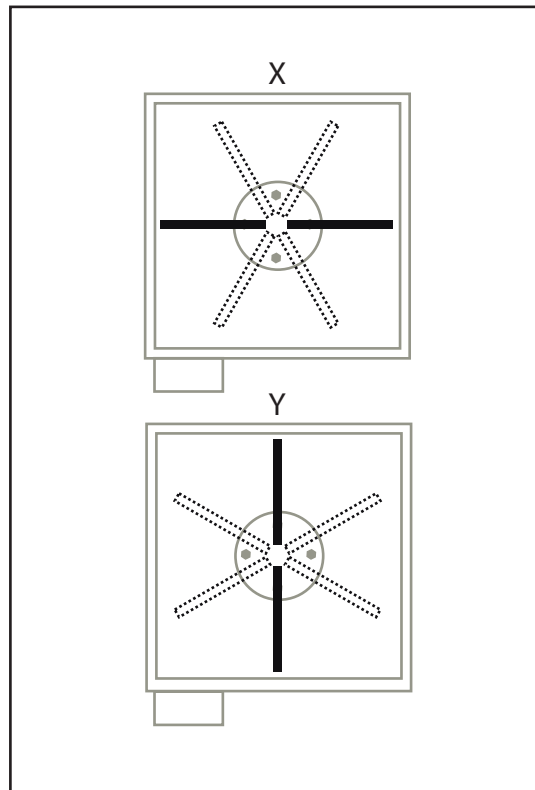
If the two blades are not at an equal distance to the grate, use the four hexagonal head bolts (J) on the top of the motor-hub to level out the distance between the blade and the grate (Y1 & Y2). To raise one side of the blade, turn clockwise the bolt (J) on the opposite side of the blade (see diagrams beside). For the adjustment to be effective, the external bolt (Z) beside the hexagonal head bolt (J) has to be unscrew a bit before manipulating the (J) bolt.

This levelling has to be done with the blade in two positions: X and Y (see diagram "Levelling in two positions" below) until obtaining a uniform distance between the blade and the grate.

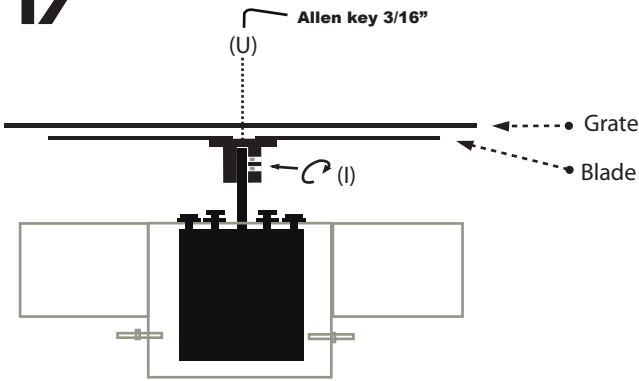
TO RAISE ONE SIDE OF THE BLADE, TURN CLOCKWISE THE BOLT (J) ON THE OPPOSITE SIDE OF THE BLADE.



Levelling in two positions.



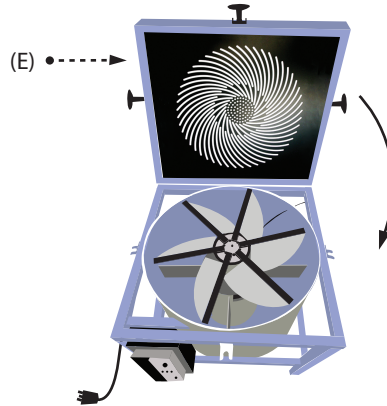
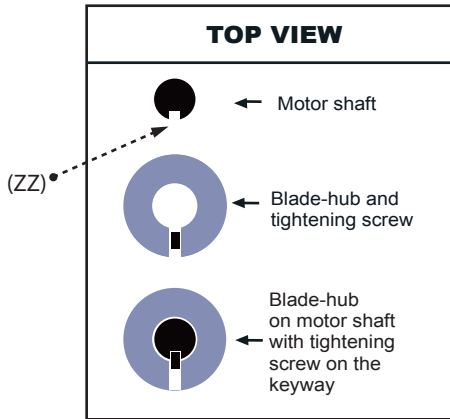
17



Once the blade is levelled with the grate, adjust the height of the blade with the height adjustment screw (U). A distance of at least 1/8 of an inch (3mm) between the grate and the blade is recommended. Tighten the tightening screw (I).

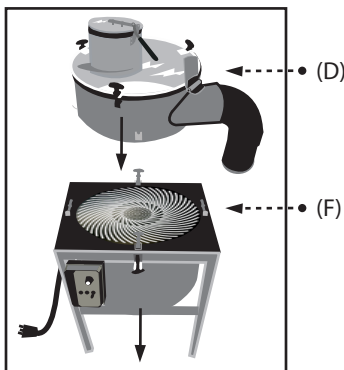
(The tightening screw must be placed to exert a pressure on the keyway (ZZ) of the motor shaft. See diagram "Top View".)

Close de lid (E).



18

18.1: Install circular structure.



Install the circular aluminium & plastic structure (D) using the 4 rubber fasteners (F).

Plug the power cord (B) to the electrical outlet and switch ON the machine with the ON-OFF switch (A).

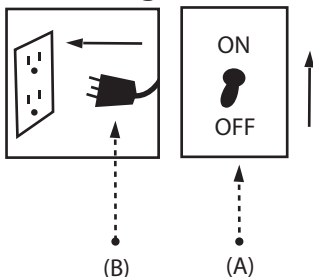
Make sure the blade never touches the grate and the flaps (X) never touches the brake's cable (Y) when the machine is running. (See drawings 18.3 to 18.5 on next page).

If the blade rubs against the grate, loosen the tightening screw (I), adjust the height and tighten the screw.

If the flaps rub on the brake's cable, check if you can lift the blade-assembly a bit more. If not, slightly change the angle of the flaps, bending them upward manually (see diagram "Side view" next page).

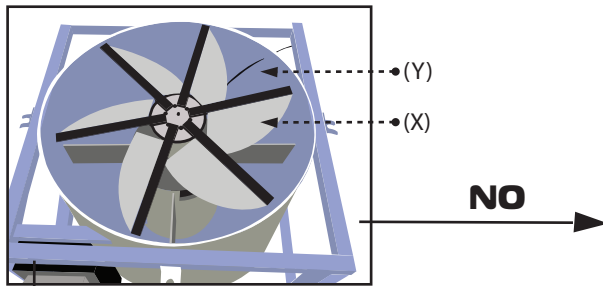
Test the machine.

18.2: Plug and switch ON.



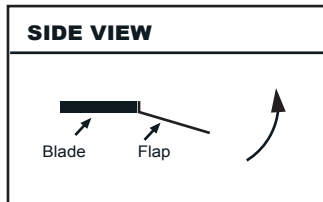
* CAUTION: the flaps are the ones creating the suction of the machine. If they are too horizontal, there will be less suction.

18.3: Are the flaps (X) rubbing against the brake's cable (Y)?



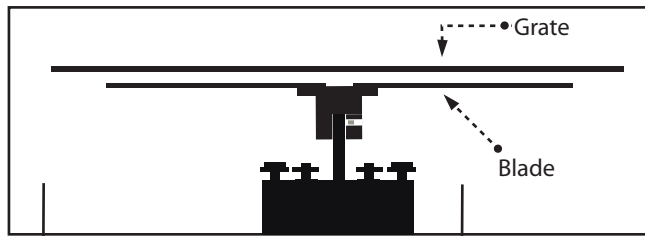
YES

Slightly lift the blades (see 18.5) If necessary, change manually the angle of the flaps.



* CAUTION: the flaps are the ones creating the suction of the machine. If they are too horizontal, there will be less suction.

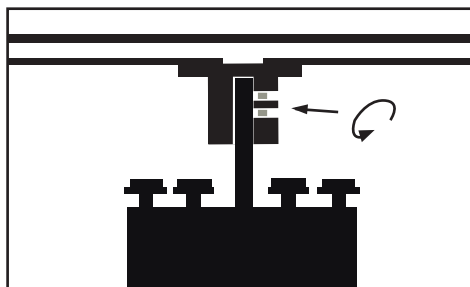
18.4: Is the blade rubbing against the grate?



YES

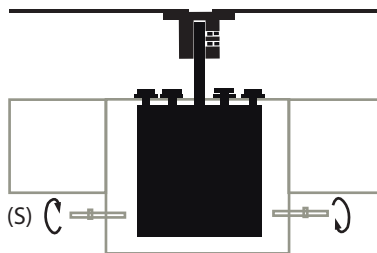
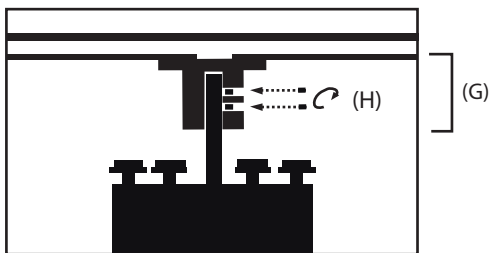
NO

18.5: Loosen, adjust and tighten.



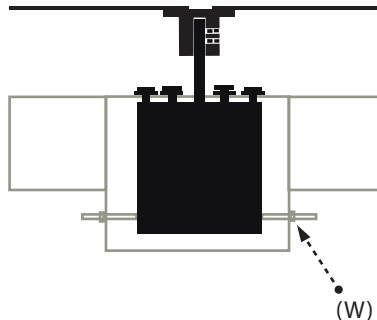
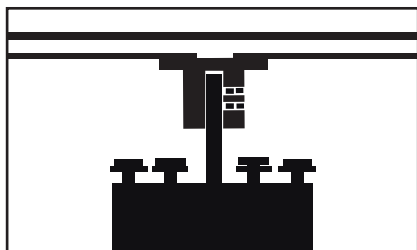
Go to step #19.

19



Once the optimal height is achieved, reinstall the blocking screw (H) to fix the blade-assembly (G) over the motor shaft.

Gently tighten the motor-hub bolts (S) until they touch the motor. These bolts should not exert any pressure on the motor.



(Beware! Too much pressure on the motor can damage it!)

Tighten the motor-hub nuts (W) and washers.