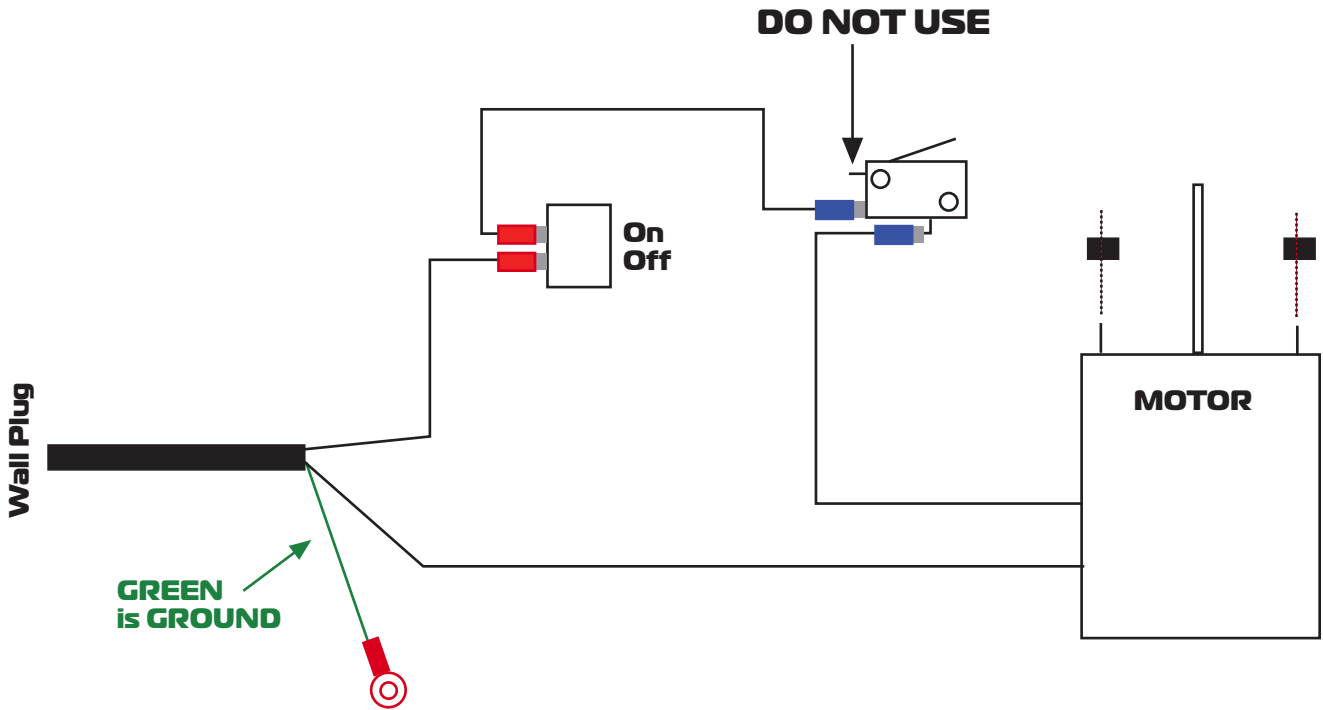




TRIMPRO ELECTRICAL

(North America / Europe / Australia)



NOTES:

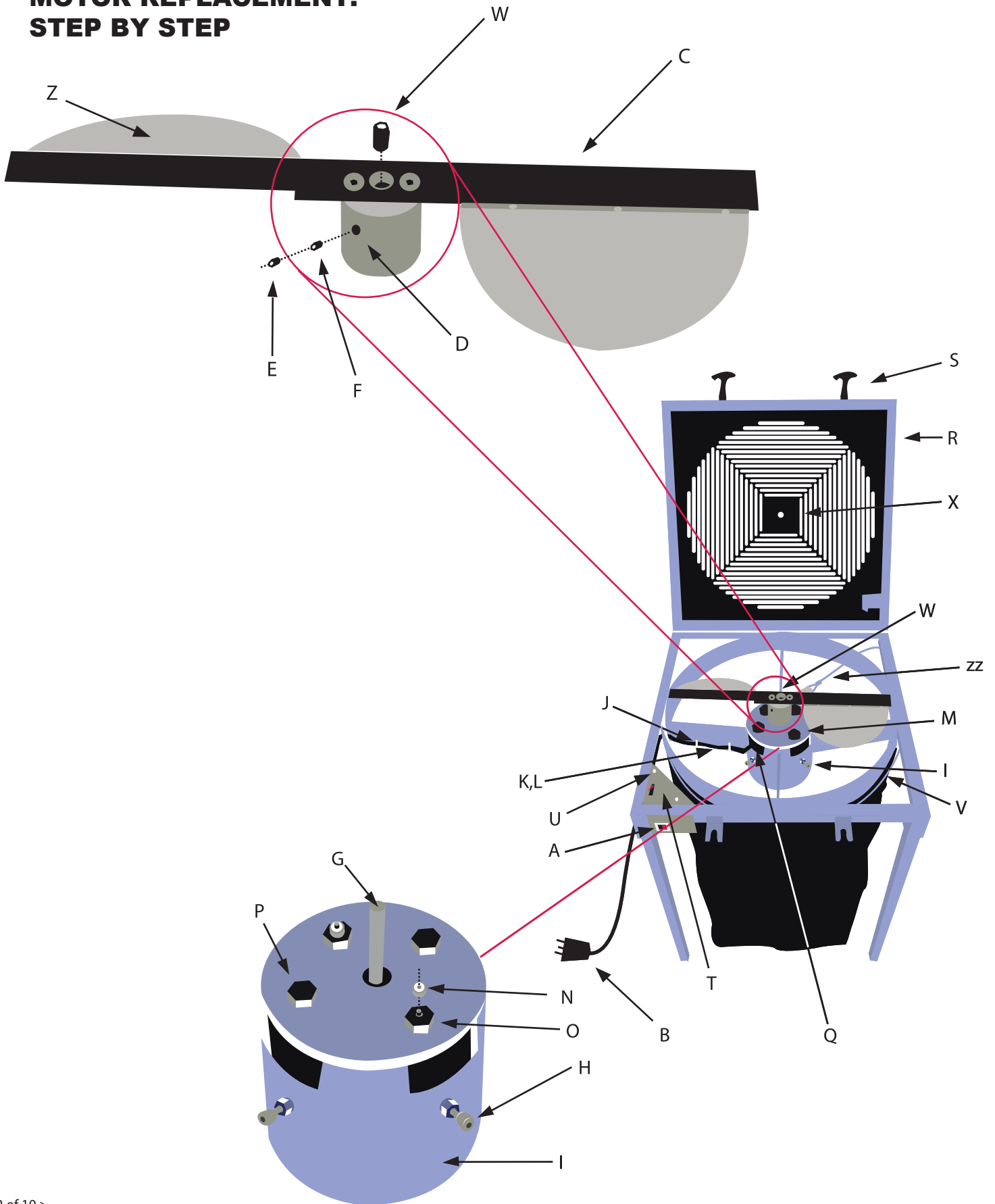
Install the motor using the 2 lock nuts supplied with the motor. If the lock nuts does not fit, use the two normal nuts supplied with the motor.

GREEN IS GROUND

www.trimpro.ca



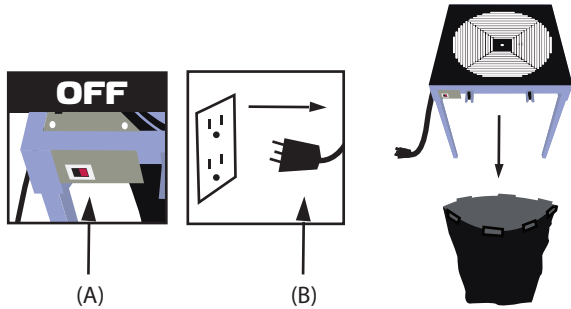
MOTOR REPLACEMENT: STEP BY STEP





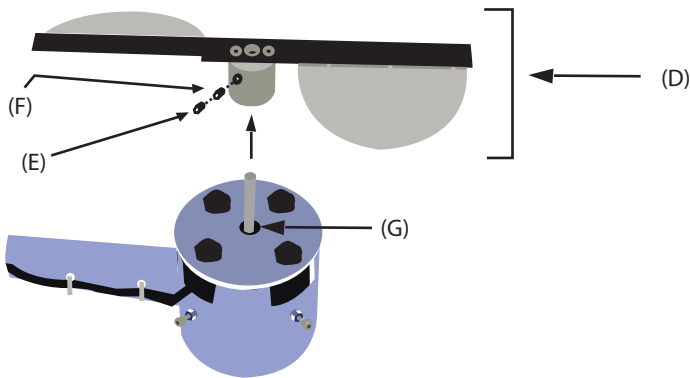
MOTOR REPLACEMENT: STEP BY STEP

1



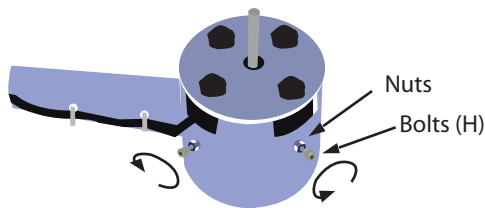
Turn OFF the machine with the ON-OFF switch (A) and unplug the power cord (B) from the electrical outlet. Remove the bag using the Velcro strips on top of it.

2



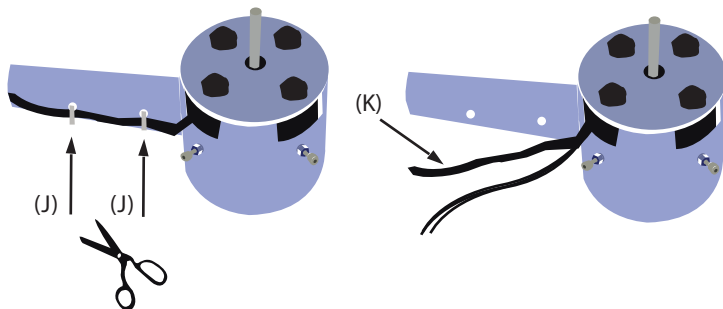
Remove the blade assembly (blade + tubular structure under it). This structure is called the blade-hub (D). To achieve it, remove the blocking screw (E) from the blade-hub and unscrew the tightening screw (F). To remove the whole blade and blade-hub, raise it from the motor shaft (G).

3



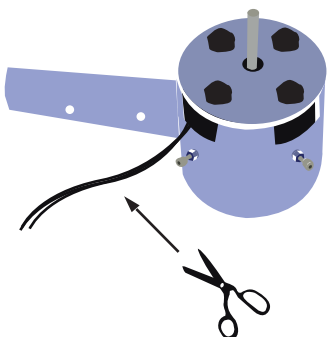
Unscrew the 4 nuts and then the 4 bolts (H) on the side of the structure which hold the motor. This structure is called motor-hub.

4



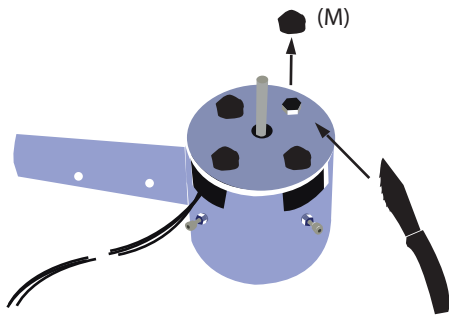
Cut the plastic fastening (Tyrap) (J) and remove the electrical wiring from the black protecting tube (K).

5



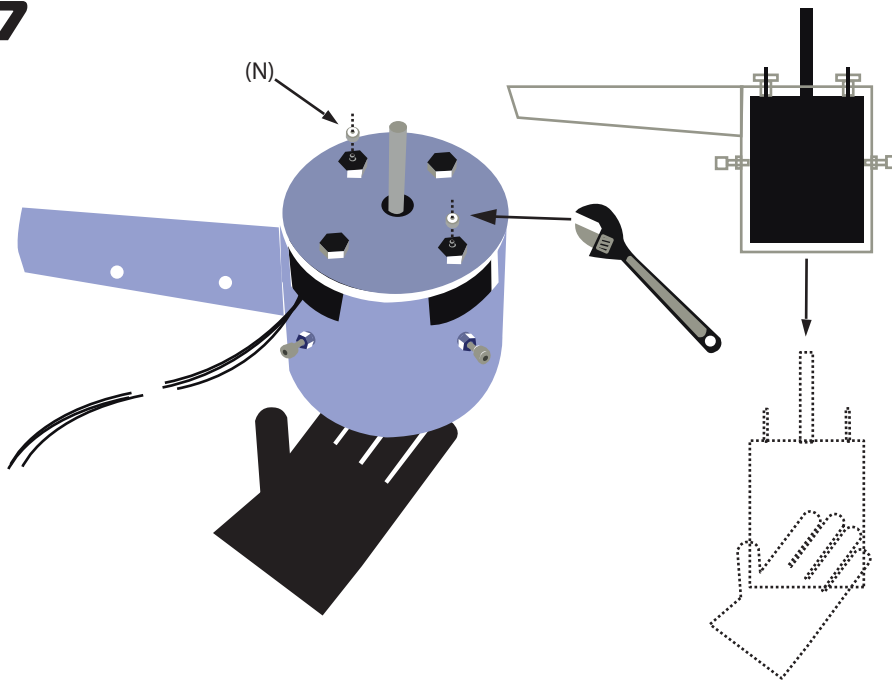
Cut the actual electrical wiring connections with a scissor.

6



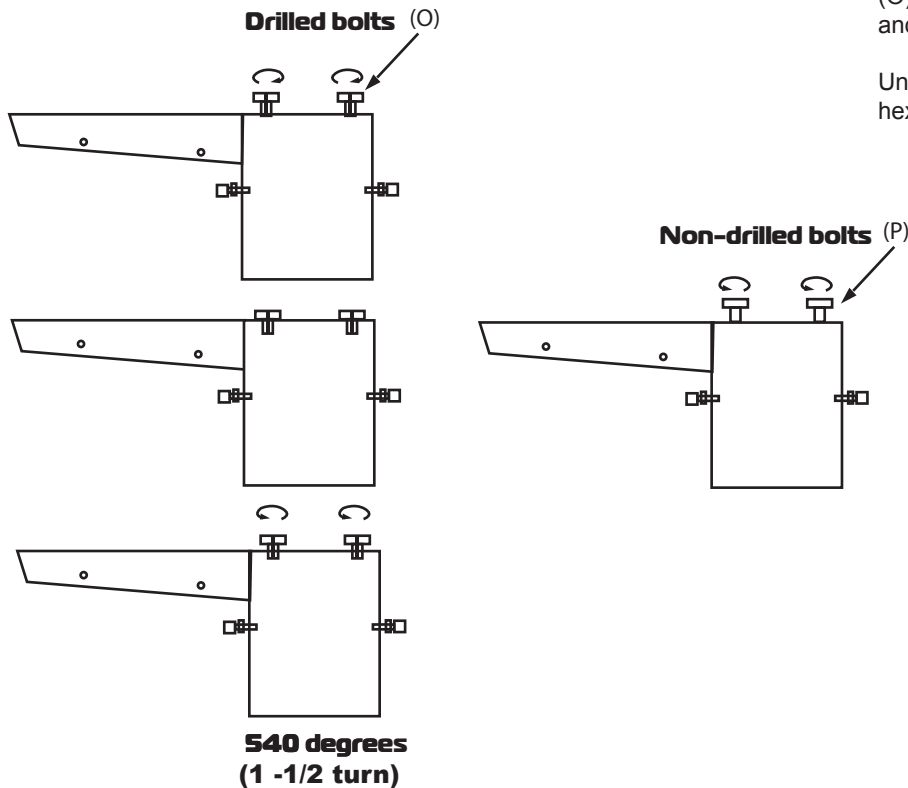
Remove the black glue (M) on the bolts that are on top of the motor-hub.

7



Hold the motor base (under the motor-hub) and remove the 2 blocking nuts (N) that are fixed to the 2 motor rods. Remove the motor.

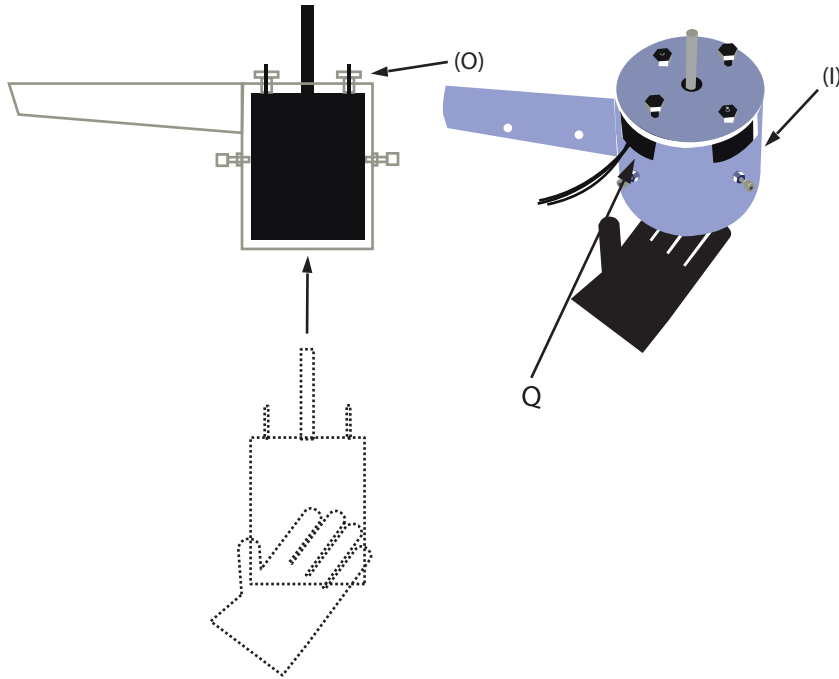
8



Tighten the 2 drilled hexagonal head bolts (O) to the maximum and unscrew them one and a half turn.

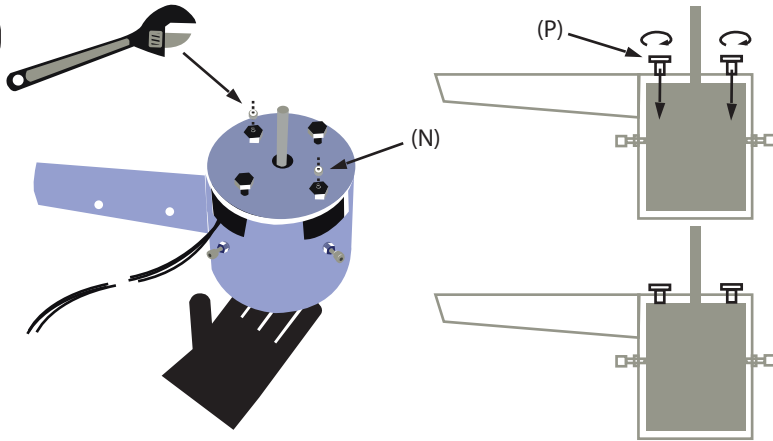
Unscrew to the maximum the 2 non-drilled hexagonal head bolts (P).

9



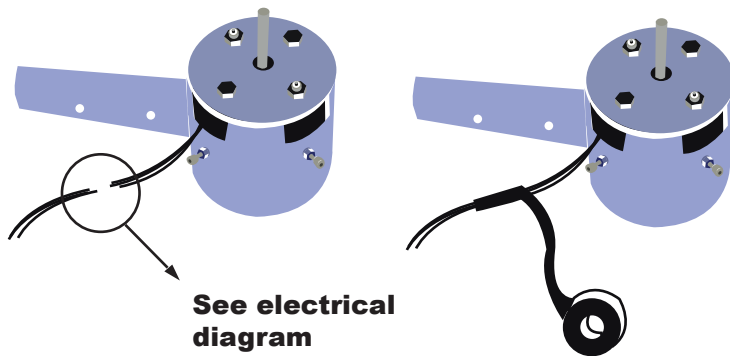
Install the new motor placing the wires on the opening (Q) situated on the side of the motor-hub (I). Place the 2 motor rods inside the 2 drilled bolts (O) (like the old motor).

10



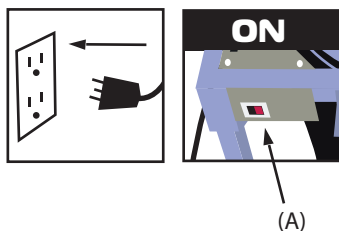
Put back on and tighten the 2 blocking nuts (N) on top of the motor-hub. Screw the 2 non-drilled hexagonal head bolts (P) until they touch the motor-hub (see beside).

11



Make the electrical wiring connections like the old motor (see "Trimpro Electrical" diagram). Protect the connections with electrical tape (not included).

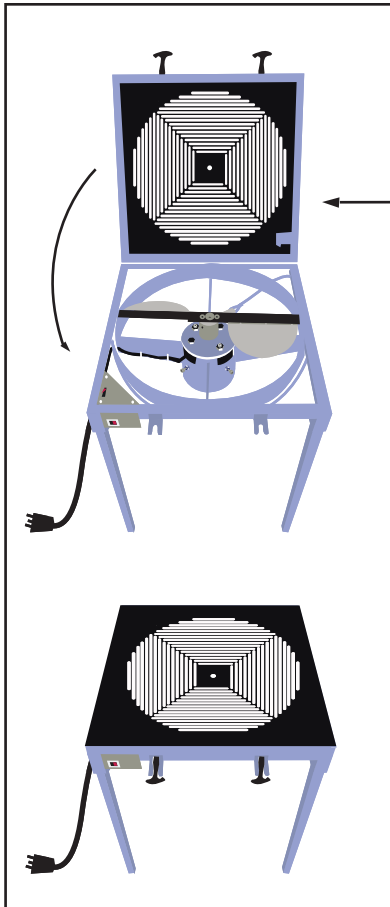
12



Plug the machine to the electrical outlet and switch ON the machine with the On-Off switch (A).

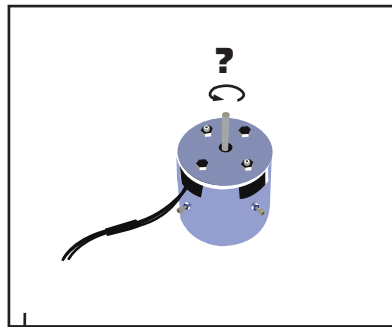
13 Check if electricity goes to the motor

13.1: Close the lid.



Close the lid of the machine (R) using the 2 rubber fasteners (S) and check if the electricity arrives to the motor (if the motor shaft is turning). If everything works correctly, turn OFF the machine with the On-Off switch (A) and unplug the machine from the electrical outlet. Place the wires in the black protecting tube (K) and fix this tube to the machine with the plastic fastening (Tyrap) supplied with the motor.

13.2: Is the motor turning?

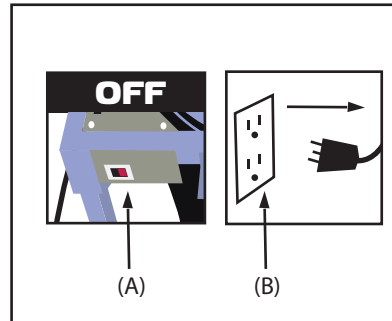


YES

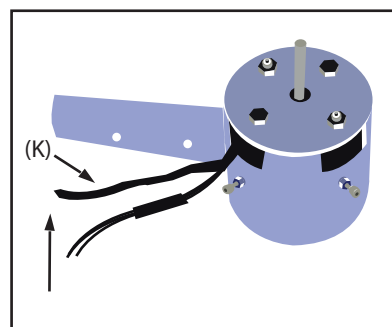
NO

(See next page)

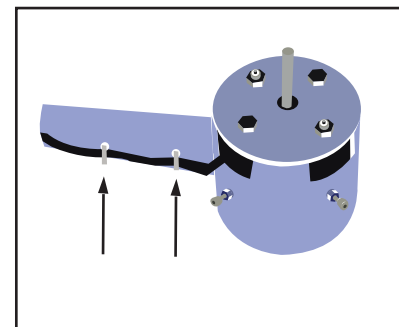
13.3: Off + Unplug



13.4: Replace wiring.



13.5: Fix the protecting tube.

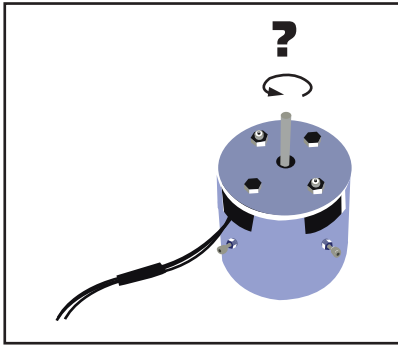


14 If the motor is not turning while the machine is On.

14.1: Close the lid (see 13.1 previous page)

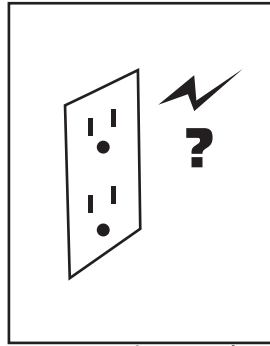
If the machine does not work properly even if it is turned ON, check the electricity wall plug. If this is not the problem either, open the connection box (T) with the 4 screws (U) on top and side of the connection box to check if the wires and connectors are all correctly connected. (To be able, it is necessary removing the ring that holds the bag (V) from the machine). Once the connections are verified, put back the connecting box together and test the machine again. If everything is back to normal, place the wires back in the black protecting tube (K) and fix this tube to the machine with the plastic fastening (Tyrap) supplied with the motor. Reinstall on the machine the ring holding the bag (V).

14.2: Is the motor turning?



NO

14.3: Is the electricity working?

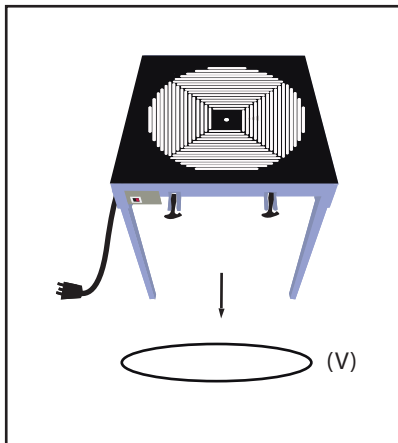


YES

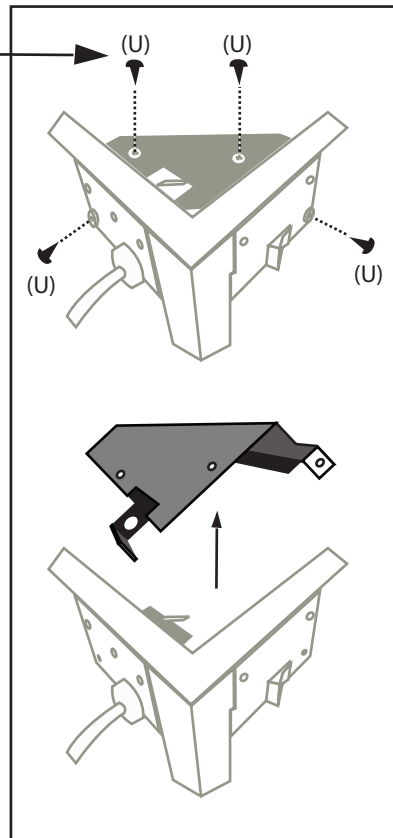
NO

Arrange the electrical system.

14.4: Remove the ring (V).



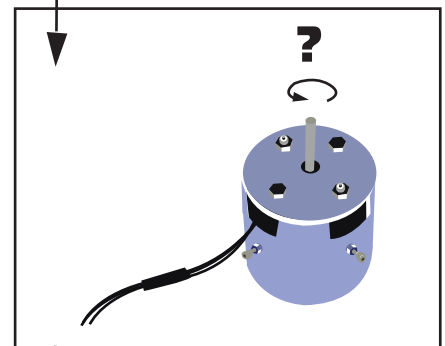
14.5: Open connection box. Is the wiring well connected?



NO

14.6: Fix the connections.

14.7: Is the motor turning?



NO

YES

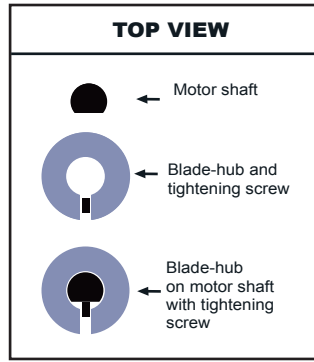
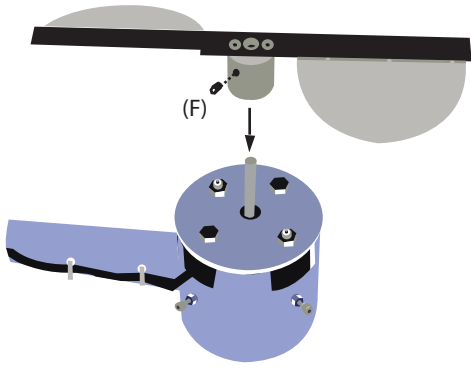
See steps 13.3, 13.4, 13.5 from previous page.

YES

Contact TRIMPRO:

info@trimpro.ca
T. 450 349 0811

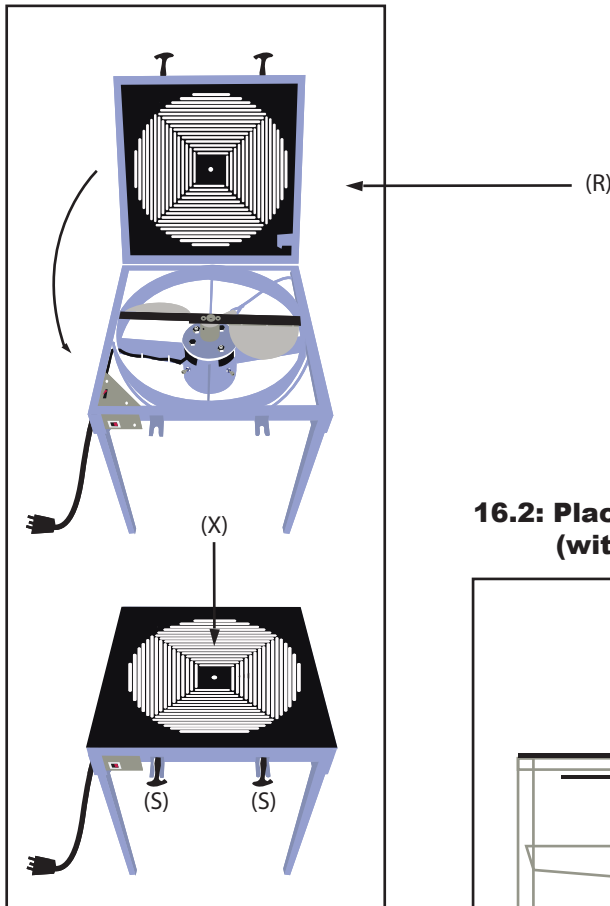
15



Reinstall the blade and blade-hub on the machine in one piece without tightening the tightening screw (F). This tightening screw must be placed to exert a pression on the flat side of the motor shaft. (See diagram "Top view" besides).

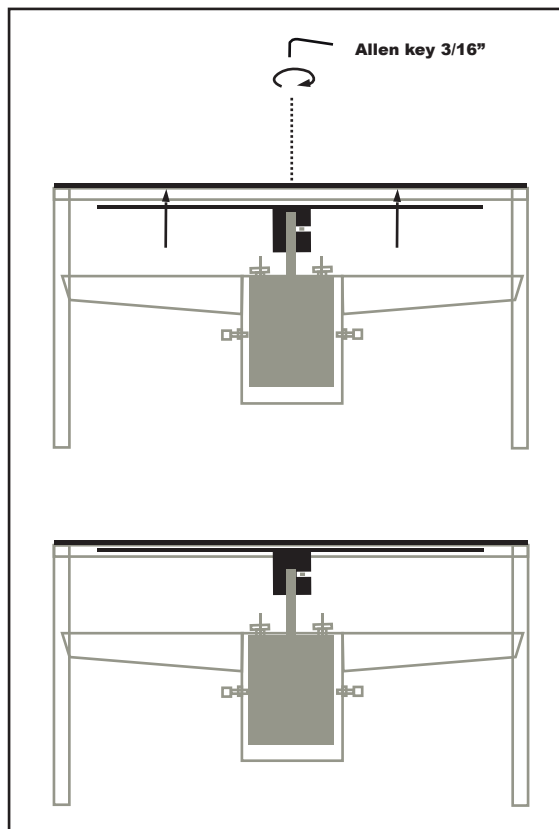
16

16.1: Close the lid.

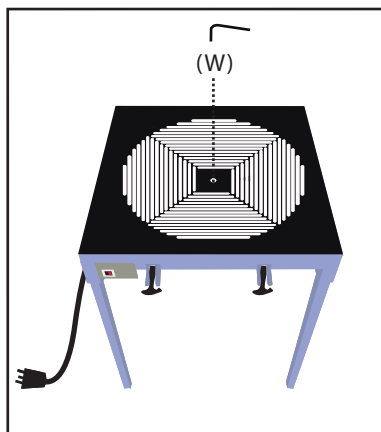


Close the machine's lid (R) using the 2 rubber fasteners (S) (check if the frame that holds the grate is closed evenly over all its surface) and place the blade to its higher position (making sure it is not touching the grate) using the height adjustment screw on the center of the blade (W). A hole on the center of the grate (X) gives access to this adjustment screw even of the grate is closed. To raise the blade, use the 3/16" Allen key supplied with the machine and turn clockwise.

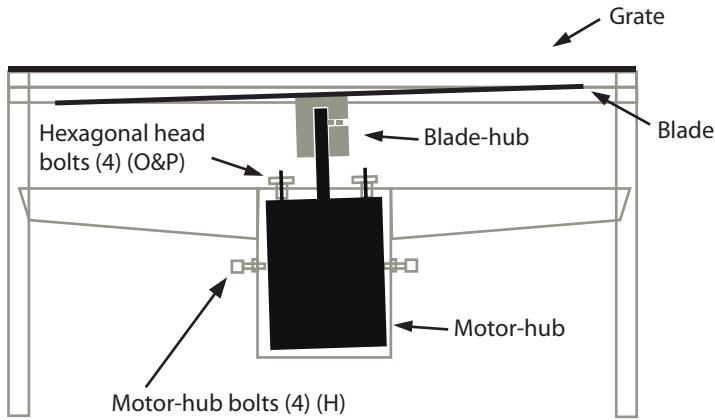
16.2: Place the blade at its highest position (without touching the grate).



Access to adjustment screw.



17 Level out the distance



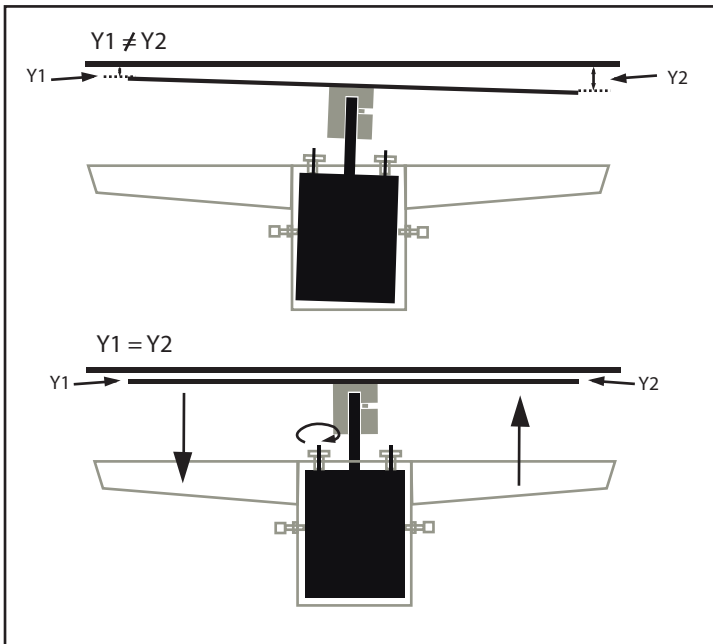
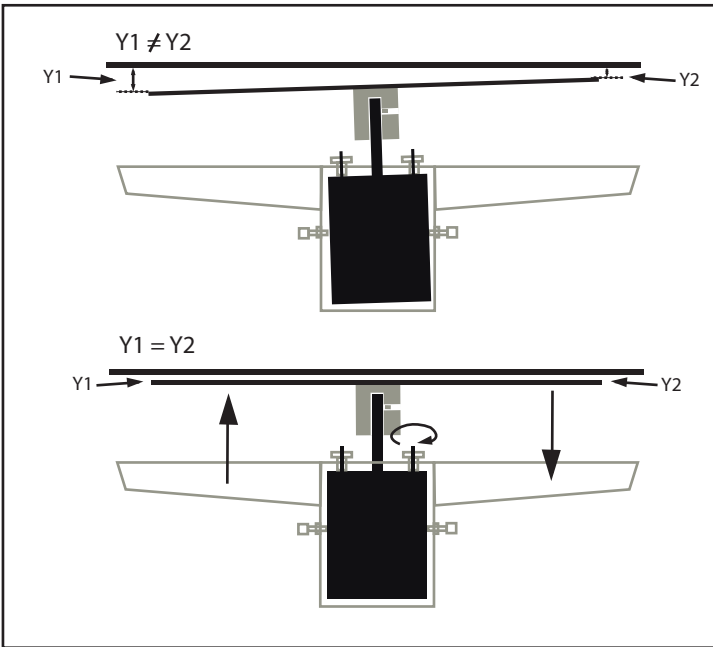
Check if the blade is at equal distance to the grate from each of its extremities (Y1 & Y2).

If YES, tighten the four bolts (H) on the side of the motor-hub until they touch the motor. These bolts should not, however, exert any pressure on the motor. Tighten the 4 nuts until they touch the motor-hub.

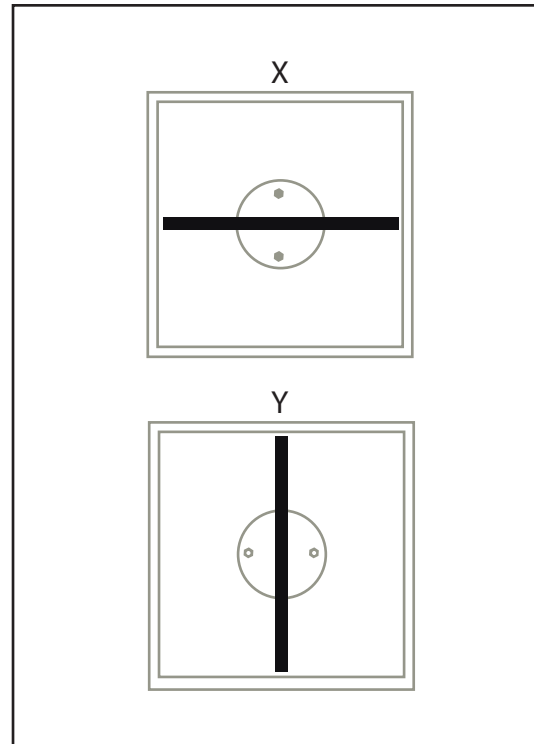
If NOT, use the four hexagonal head bolts (O & P) on the top of the motor-hub to level out the distance between the blade and the grate (Y1 & Y2). To raise one side of the blade, turn clockwise the bolt opposite to the side of the blade to be raised (see diagram opposite).

TO RAISE ONE SIDE OF THE BLADE, TURN CLOCKWISE THE BOLT ON THE OPPOSITE SIDE OF THE SIDE TO BE RAISED.

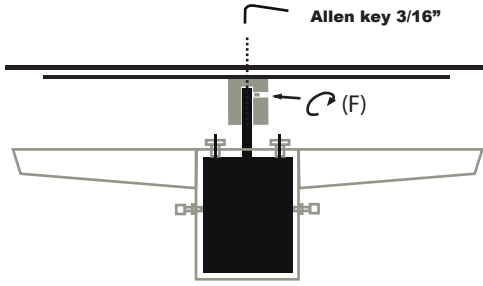
This levelling has to be done with the blade in two positions: X and Y (see diagram "Levelling in two positions" below) until obtaining a uniform distance between blade and grate.



Levelling in two positions.



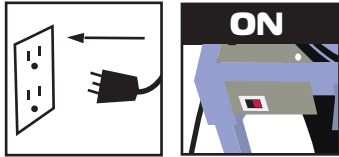
18



Once the blade is levelled out in relation to the grate, adjust the definitive height of the blade with the height adjustment screw (W). For security reason, a distance of at least 1/8 of an inch (3mm) between the grate and the blade is recommended. Tighten the tightening screw (F).

19

19.1: ON + plug.



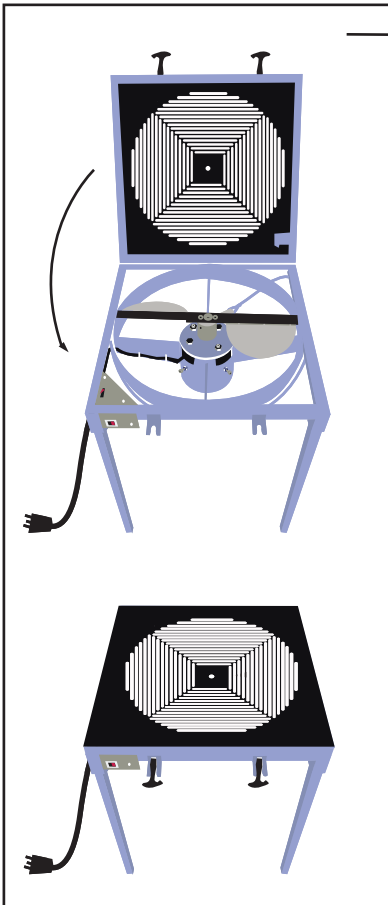
Plug the machine to the power outlet, switch ON the machine and make sure the blade does not rub against the grate or the flaps (Z) against the brake's cable (zz) when the machine is running. If everything is OK, reinstall the blocking screw (E).

If the blade rubs against the grate or if it is too far from the grate, loosen the tightening screw (F), adjust the height and tighten the screw. Test the machine again.

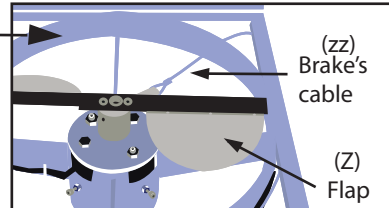
If the flaps rub to the brake's cable, change slightly the angle of the flaps, bending them upward manually (see diagram "Side view" below).

* Caution, the flaps are the ones creating the suction of the machine. If they are too raised, there will be no more suction.

19.2: Close the lid.

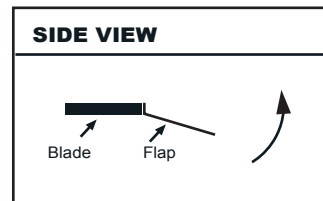


19.3: Are the flaps rubbing against the brake's cable?



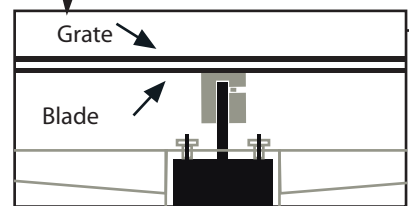
YES

Change manually the angle of the flaps if necessary.



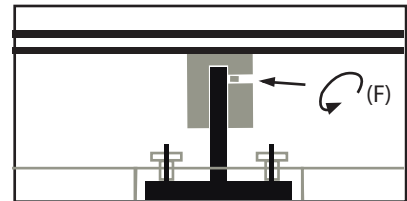
NO

19.4: Is the blade rubbing against the grate?



YES

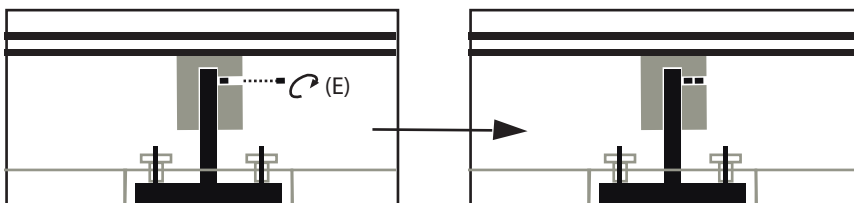
19.5: Loosen, adjust and tighten.



NO

See step #20.

20



Once the optimal height is achieved, reinstall the blocking screw (E) to fix the blade (C) and the blade-hub (D) (in one piece) over the motor shaft. Test again. If everything is OK, you can use the machine.

If not, remove the blocking screw (E), unscrew the tightening screw (F) and go to step 16.