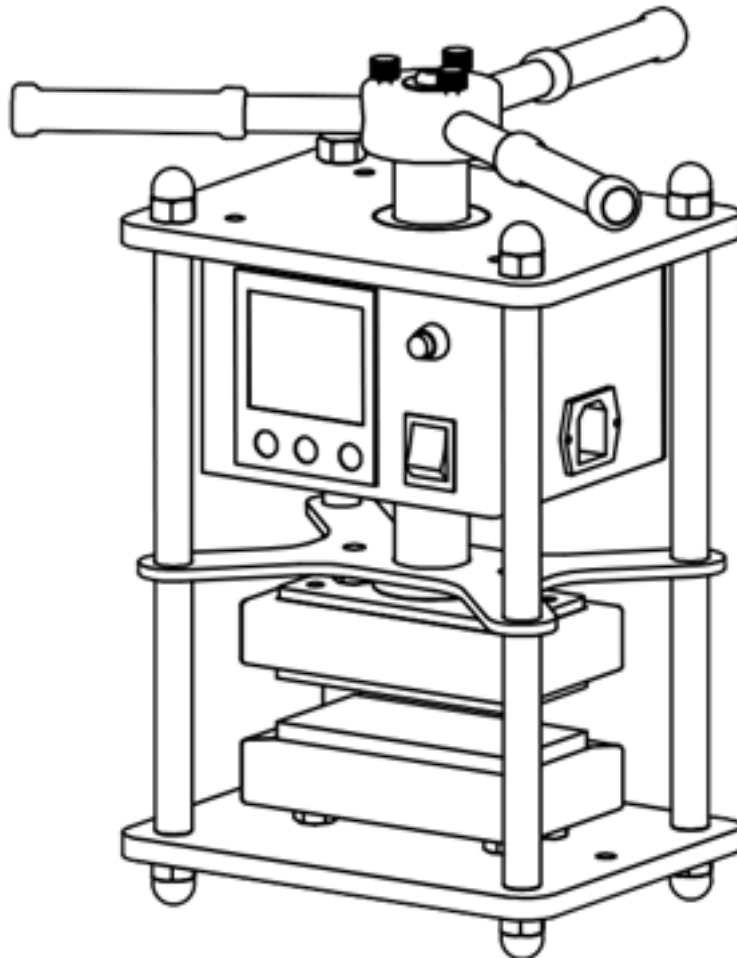


# The Twister Rosin Press

**User Instructions**  
**Model: BVVTWIST**



1251 Frontenac Rd. Suite 150  
Naperville, IL 60563  
(800) 562 - 7471  
(311) 281 - 0154  
support@bestvaluevacs.com  
www.bestvaluevacs.com

## Introduction

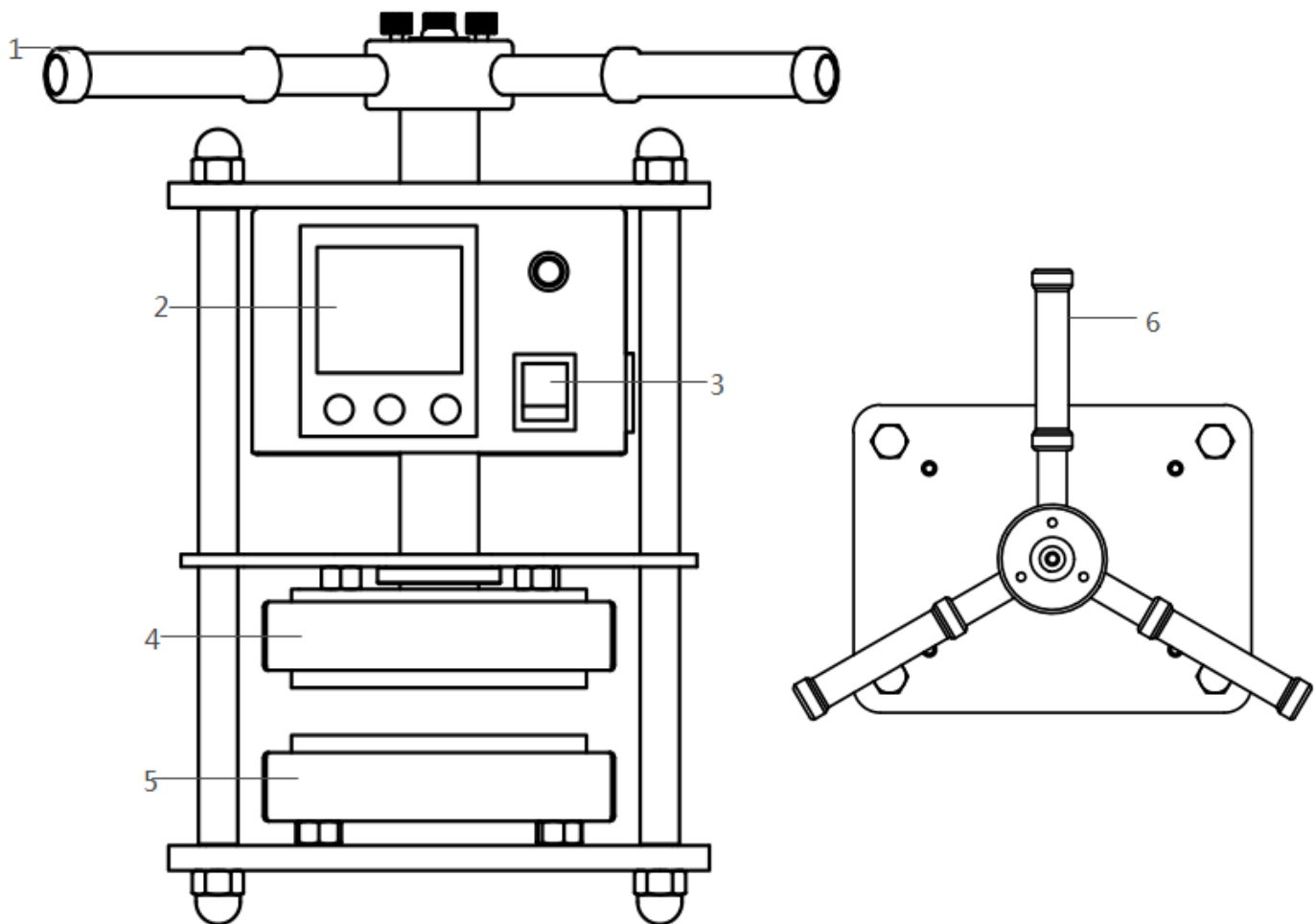
The Twister Press is a hand-crank operated, dual heating Rosin Press. Featuring two aluminum heating plates, electronic timer, and mounting bolts, The Twister is an ideal choice for home Rosin enthusiasts. Please read this user manual carefully and keep it for future reference. If you need any assistance, please contact us at [support@bestvaluevac.com](mailto:support@bestvaluevac.com).

## Safety Information

Carefully read all warnings and instructions, and inspect unit for damage prior to use. Do not use if the unit appears damaged, bent, warped, cracked, or otherwise unsafe for operation.

Warning! Shock hazard. Do not open or modify electrical equipment. No user serviceable parts.

Warning! Crush/pinch hazard. Keep hands clear of pressing plates. Caution: plates may be hot!



**Figure 1: Easy Swing Rosin Press v3**

**1:** Handle

**2:** LCD Touchscreen Controller

**3:** Power Switch

**4:** Upper Heat Plate

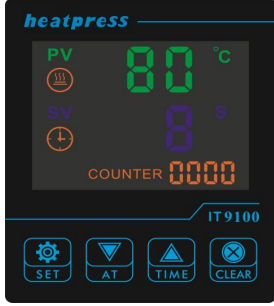


**5:** Lower Heat Plate

**6:** Hand Grip

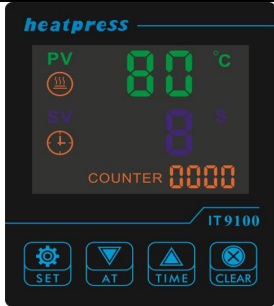


## Getting Started

Unbox the machine and place on a sturdy surface. After inspecting the unit and removing the foam shipping pad between the plates, connect the three crank bars by inserting them into the head and tightening down the set screw. Next, connect the supplied power cable. When the unit is switched on, the screens will take a few seconds to boot, then it will enter Display Mode and begin to heat.

Set Temperature:

		
<p>Press the power switch to turn on the machine, then press the "SET" button</p>	<p>Then the digital controller will show the word "SH"</p>	<p>Press arrow buttons "▲" or "▼" to set desired temperature (°F)</p>

Set Timer:

		
<p>Press the power switch to turn on the machine, then press the "SET" button for 2 seconds</p>	<p>Then the digital controller will show "St"</p>	<p>Press arrows button "▲" or "▼" to set desired time (in <b>Seconds</b>) then press the "SET" button for 2 seconds</p>

**Figure 2: Display Mode**

**PV:** This displays the current temperature value

**SV:** This displays the timer value

When the unit is heating, a Heating Element Indicator will illuminate to the left of the temperature display. As the plates heat to your set-point, this Indicator will occasionally blink on and off to maintain a stable temperature. To apply pressure, rotate the handles clockwise.

## Operation

1. Make sure the power plug is well connected to the wall socket, then press the power switch to turn on.
2. Set the temperature and the time you want
3. The buzzer will sound when the temperature reaches the setting temperature, place the object on press bed, and rotate the handle clockwise to apply the pressure required.
4. Press down the timer to start counting down.
5. The buzzer will sound again when the scheduled time is up, press the timer button to stop the alarm then rotate the handle counterclockwise and remove material.

## Adjusting Pressure

All twist presses come standard with 2 spare bolts and mounting holes. These can be used to optionally bolt the unit to a workbench for generating maximum pressure.

To adjust the amount of pressure applied at the plates, turn the handle clockwise to increase pressure, and counterclockwise to reduce pressure.



Attention- Surpassing the rated pressure of 2500lbs will cause damage to the crank bars that is not covered under the warranty for this product.

## Maintenance

1. Different item will require different temperature and time setting because the materials or thickness is different.
2. This machine is not suitable for children to use or for food processing.
3. Turn off the machine and unplug the power cord when the machine is not in use.
4. The heat plates will automatically cool down to the room temperature if the heat press stays non-use for more than 30 minutes.
5. The cooling fan will automatically start when the temperature of heat plate reaches 80 °C (176 °F). It helps to reduce the temperature of electrical parts and prolong the service life of them.
6. For prolonged life of heat press, the maximum setting temperature is 210 °C (410 °F)

## Specifications

Brand	BVV
Model	BVVTWIST
Heat Plate Size	3"X5"
Temperature Range	0-482 °F
Timer Range	0-999 Seconds
Pressure Range	0-2500lbs
Voltage	110V
Power	600W
Product Size	26x22x39CM (10.23"x8.66"x 15.35")
Product Weight	18KG/39.68LBS

## Troubleshooting

To improve performance results, try a small sample first. This press has been designed to maximize yields on samples between 3 and 5 grams. Ideal settings can vary widely depending on the quality and fineness of source material. We highly recommend the use of a mesh filter bag while pressing with this unit. As a general rule, longer press times require less heat, while higher temperatures will allow for a shorter press duration. Typical temperatures range from 180F – 220F, while typical press durations range 30s – 5m.

### Nothing happens when the machine is turned on.

1. Check the plug whether it connects well or whether it is broken.
2. Check the fuse whether it has been burnt out.
3. Check the power switch or digital controller whether it is broken.

### Indicating light is on but the display screen is black.

Check the #5 cable inside the railway transformer. If the connection is loose, it may need to be adjusted. The transformer may be faulty if the cable is well connected, needs replacement.

### The display screen is working well but the temperature is not heating up.

1. Check if the indicating light of the solid-state relay is on, if not, the relay or PID controller needs replacement.
2. The heat plates aren't heating up with a working solid-state relay, heat plates may need replacement.

### The temperature is overshooting, Ex: Set temperature is 180°C (356°F), but the actual temperature is above 200°C (392°F)

1. It means the solid-state relay is stuck on, needs replacement.
2. PID controller may be faulty and continuously sends signal to relay, PID needs replacement.

### I checked the plate temperature with my own probe and the reading is off

Because the plates are polished, an infrared laser probe will provide an inaccurate reading of the plate temperature. You may be able to fix this by adjusting your probe's emissivity setting. If you are using a conventional probe and the reading is off, you may adjust the temperature calibration of the plates.