



Aeromixer INC.

Aeromixer.com
Tel: +1 541 690 0888

For additional assistance
or questions, email:
info@aeromixer.com

A Southern Oregon Company
Made in China
2022

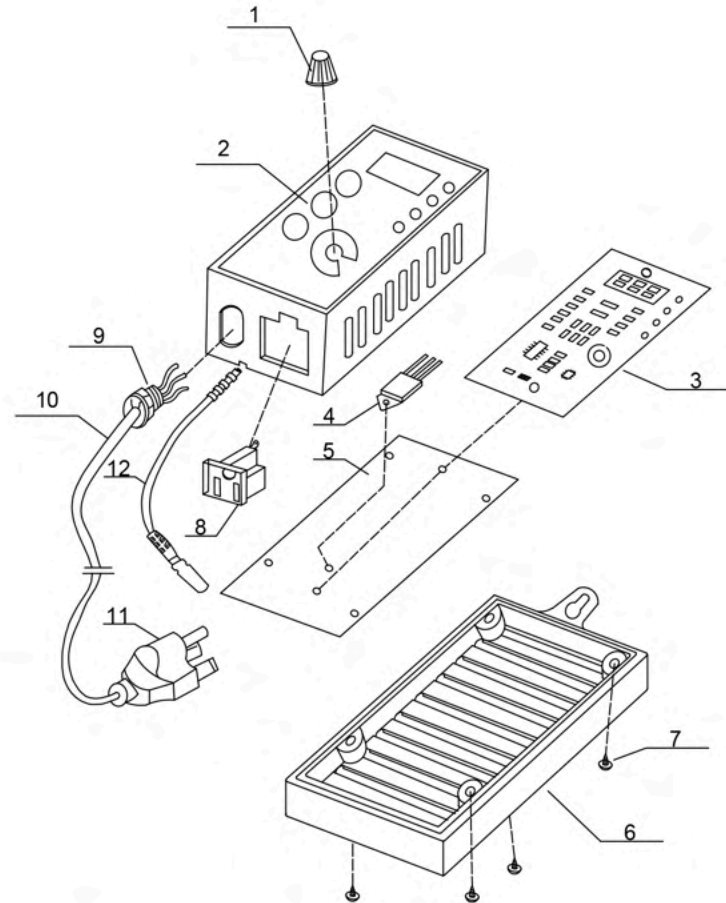


AEROBREW

OPERATING INSTRUCTIONS



PARTS DIAGRAM



PLEASE READ THE FOLLOWING CAREFULLY

THE MANUFACTURER AND/OR DISTRIBUTOR HAS PROVIDED THE PARTS DIAGRAM IN THIS MANUAL AS A REFERENCE TOOL ONLY. NEITHER THE MANUFACTURER NOR DISTRIBUTOR MAKES ANY REPRESENTATION OR WARRANTY OF ANY KIND TO THE BUYER THAT HE/SHE IS QUALIFIED TO REPLACE ANY PARTS OF THE PRODUCT. IN FACT, THE MANUFACTURER AND/OR DISTRIBUTOR EXPRESSLY STATES THAT ALL REPAIRS AND PARTS REPLACEMENTS SHOULD BE UNDERTAKEN BY A CERTIFIED AND LICENSED TECHNICIAN AND NOT BY THE BUYER. THE BUYER ASSUMES ALL RISK AND LIABILITY ARISING OUT OF HIS/HER REPAIRS TO THE ORIGINAL PRODUCT OR REPLACEMENT PARTS THERETO. OR ARISING OUT OF HIS /HER INSTALLATION OF REPLACEMENT PARTS THERETO.

Safety Warnings and Precautions

Warning: When using Aerobrewer, basic safety precautions should always be followed to reduce the risk of personal injury and damage to equipment. Read instructions before using this product!

- 1. Avoid electrical shock.** Prevent body contact with grounded surfaces such as pipes, radiators, ranges, and cabinet enclosures.
- 2. Keep work area clean.** Cluttered areas invite injuries.
- 3. Observe work area conditions.** Do not operate in damp or wet locations. Don't expose to rain.
- 4. Store idle equipment.** When not in use, Aerobrewer should be stored in a dry location to inhibit rust. Always lock up tools and keep out of reach of children.
- 5. Do not overreach.** Keep proper footing and balance at all times. Do not reach over or across electrical cables or feed tanks.
- 6. Use the right tool for the job.** Do not attempt to use a tool that pulls more than 15 amps. There are certain applications for which this Aerobrewer was designed. Do not modify the Aerobrewer and do not use the Aerobrewer for any purpose for which it was not intended.
- 7. Stay alert.** Watch what you are doing, use common sense. Do not operate the Aerobrewer when you are tired.
- 8. Check for damaged parts.** Before using the Aerobrewer, any part that appears damaged should be carefully checked to determine that it will operate properly and perform its intended function. Any part that is damaged should be properly repaired or replaced by a qualified technician. Do not use the Aerobrewer if any switch or button does not turn On and Off properly.
- 9. Replacement parts and accessories.** When servicing, use only identical replacement parts. Use of any other parts will void the warranty.
- 10. Do not operate tool if under the influence of alcohol or drugs.** Read warning labels on prescriptions to determine if your judgement or reflexes are impaired while taking drugs. If there is any doubt, do not operate the Aerobrewer.
- 11. Use proper size and type of extension cord.** If an extension cord is required it must be of the proper size and type to supply the correct current to the Aerobrewer without heating up. Otherwise, the extension cord could melt and catch fire, or cause electrical damage to the Aerobrewer. This tool requires use of an extension cord of 15 amps capability (up to 50 feet), with wire size rated at 18 AWG. Longer extension cords require larger size wire. If you are using the Aerobrewer outdoors, use an extension cord rated for outdoor use. (Signified by "WA" on the jacket).

Note: Performance of the Aerobrewer may vary depending on variations in local line voltage. Extension cord usage may also affect the Aerobrewer's performance.

WARNING: The warnings, cautions, and instructions discussed in this instruction manual cannot cover all possible conditions and situations that may occur. It must be understood by the operator that common sense and caution are factors which cannot be built into this product, but must be supplied by the operator.

Not your average variable speed controller.

Say hello to Aerobrewer, an easy-to-use tool to help farmers like you save time and grow happy plants. Aerobrewer gives you complete control of aeration and mixing in your feed tank when used with an Aeromixer, making it great for farmers with smaller tanks, those who simply want a more gentle agitation on compost teas, or to get the perfect brew temperature every time! Set the temperature, choose the power level, or control both at once and take the guesswork out of mixing.

SET UP YOUR AEROBREWER

- 1.) Plug in the Aerobrewer to a wall socket.
- 2.) Plug an Aeromixer pump into the Aerobrewer.
- 3.) Drop the temperature probe into your feed tank liquid.
- 4.) Choose the mode you would like to use by pressing the "MODE" button.
- 5.) If using the SPEED + TEMP or TEMP mode, set the temp.

SET THE TEMP

- 1.) To see what your temperature is set to hold "SET TEMP"
- 2.) To set a new temperature Hold the "SET TEMP" button until the numbers flash and then release the button.
- 3.) Press the "80-60" button until your desired temp shows on the screen
- 4.) Leave Aerobrewer running. The temperature shown on the screen is the tank's current temperature, when it reaches your desired temperature it will turn off and on again to keep the set temperature as constant as possible.

CONTROL POWER OUTPUT

- 1.) Change the mode to SPEED + TEMP, or SPEED
- 2.) Use the yellow and red TAME/BEAST dial to turn up or down the power of the Aeromixer plugged into your Aerobrewer until it reaches the level of agitation you desire.

TIPS:

Running the Aeromixer pump at higher power will heat your liquid faster than at a lower power.

WARNING: DO NOT IMMERSE AEROBREWER IN WATER

Maintenance

1. Store the Aerobrewer in a clean and dry location.
2. To clean, wipe the unit off with a clean, damp cloth. Never use chemicals or solvents to clean.

Parts List:

Item#	Description	Qty
1	Knob	1
2	Face plate	1
3	Circuit Board	1
4	Silicon	1
5	Aluminum Plate	1
6	Rear housing	1
7	Screws	4
8	Outlet Socket	1
9	Cord clamp	1
10	Cord	1
11	Plug	1
12	Detector	1

NOTE: Some parts are listed and shown for illustration purposes only and are not available individually as replacement parts.

Aerobrewer

INSTRUCTION MANUAL



Specifications

ITEM	DESCRIPTION
Temperature settings	1 degree increments
Max Load	1500 Watts
Input and Output Voltage	110 Volts
Max Amps	60 degrees to 80 degrees Fahrenheit
Temp. control range	15 Amps
Plug type	Three Prong grounded electrical plug

Save This Manual

You will need the manual for the safety warnings and precautions, operating and maintenance procedures, parts list and diagram. And in case you run out of toilet paper. Keep the manual in a safe and dry place for future use.