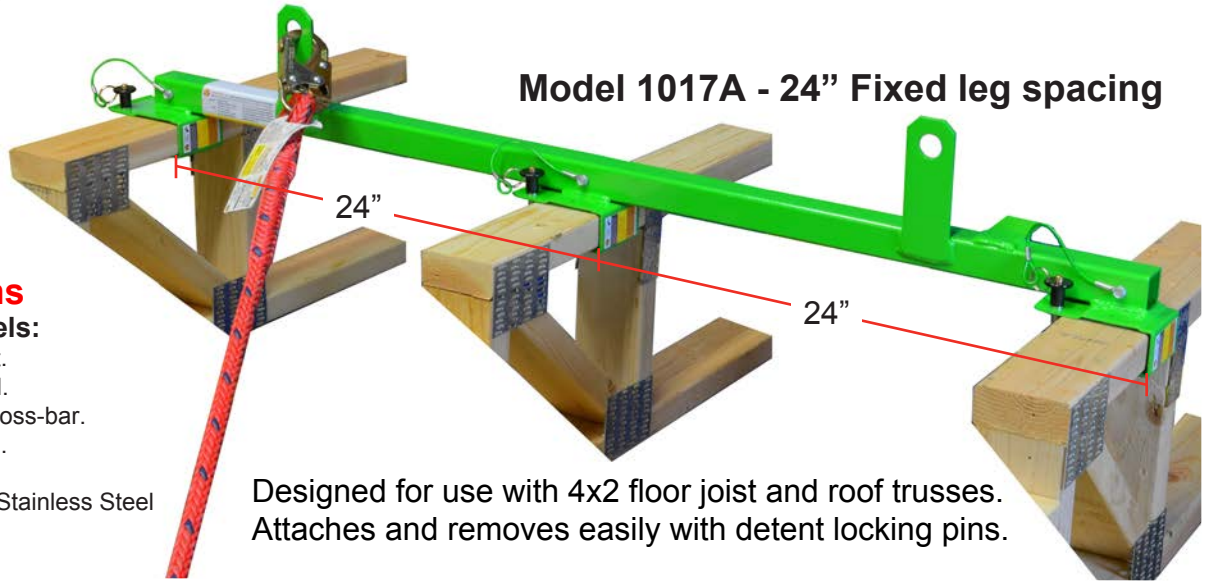


SAS-4x2 Safety Bar

Fall Protection Anchorage Device for Framers



Super Anchor Safety Bars are designed to withstand the tough environmental conditions common in the framing industry and will provide many years of service life.



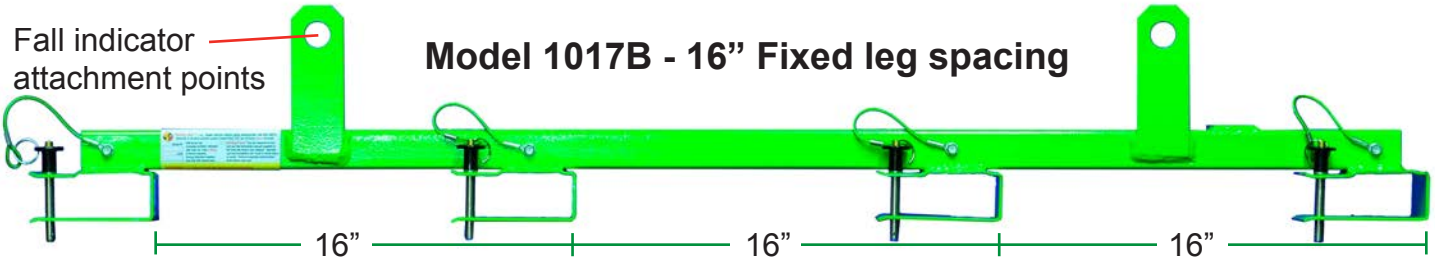
Model 1017A - 24" Fixed leg spacing

Mfg. Specifications

1017A and 1017B Models:

- 2 person capacity Fall Arrest.
- Safety Green powder coated.
- 1.5 x 1.5 x 1/8" A-36 Steel Cross-bar.
- 2" x 3/16" Attachment Stems.
- 3/16" Bump Bar.
- 3/8" diam., 18,000lb strength Stainless Steel detent pins.
- Coated cable pin tethers.

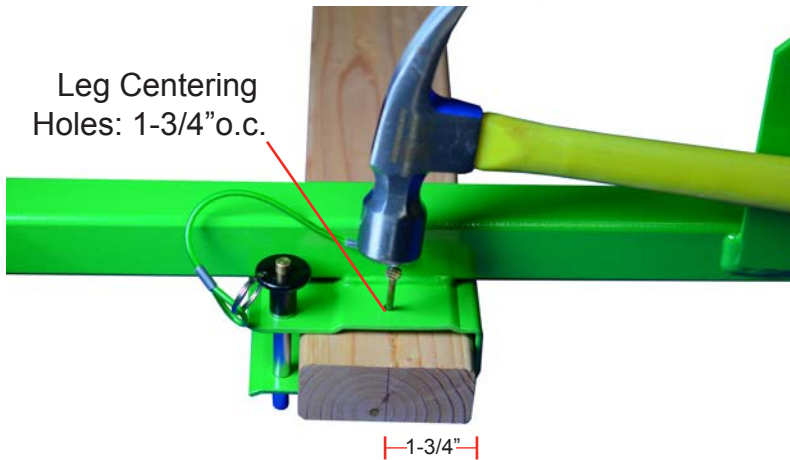
Designed for use with 4x2 floor joist and roof trusses. Attaches and removes easily with detent locking pins.



Model 1017B - 16" Fixed leg spacing

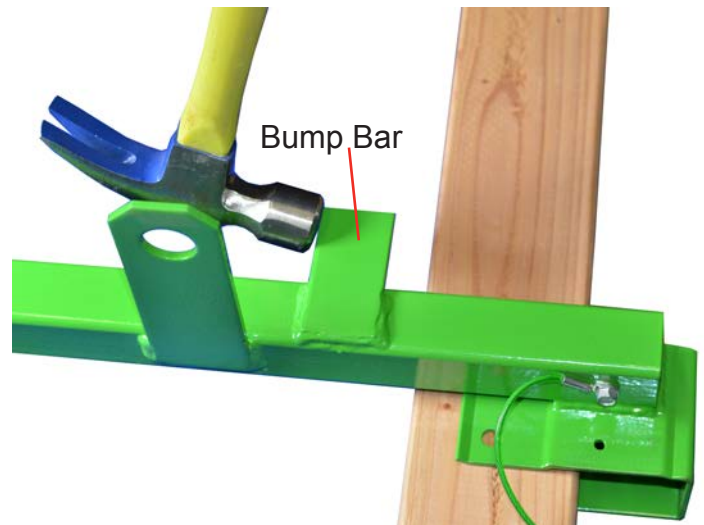
Fall indicator attachment points

Leg Centering Holes: 1-3/4" o.c.



Feature List

- Fall Arrest use 2 person capacity.
- Heavy duty powder coated steel.
- Replaceable detent locking pins.
- Replaceable tethers.
- Fall indicator attachment points.
- Perfect leg spacing.
- Top chord centering holes.



3 models to choose from and custom designs at your request:

Model	Leg spacing	Truss spacing	wt.
1017A	24" Fixed	12/24"	14lb
1017B	16" Fixed	16"	15lb
1017C	12-16-24" Adjustable	12-16-24"	15lb