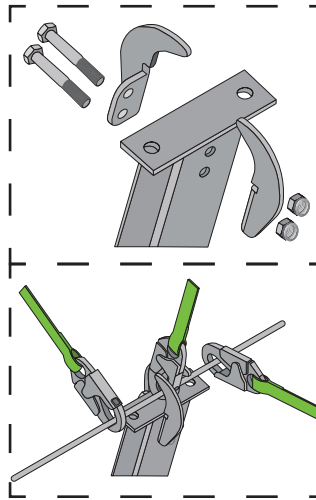


SAFELINK STANCHION

TECHNICAL DATA SHEET

019-8039

Upright Intermediate
Pass Through Bracket



Features and Benefits

The SafeWaze 019-8039 Upright Intermediate Pass Through Bracket is available for Horizontal Lifeline Installations that require the use of an intermediate post.

Part #'s included in Assembly

019-8039 (Upright Intermediate Pass Through Bracket)

Materials

Zinc Plated Steel

Weight

1.8 lbs (.82 kg)

Weight Capacity

310 lbs (140.61 kg)

Applicable Standards

Meets OSHA 1926.502 - OSHA 1910.140

