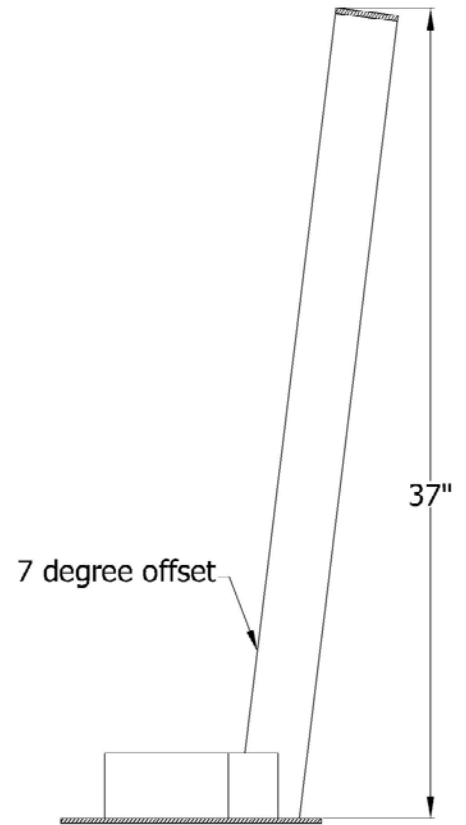
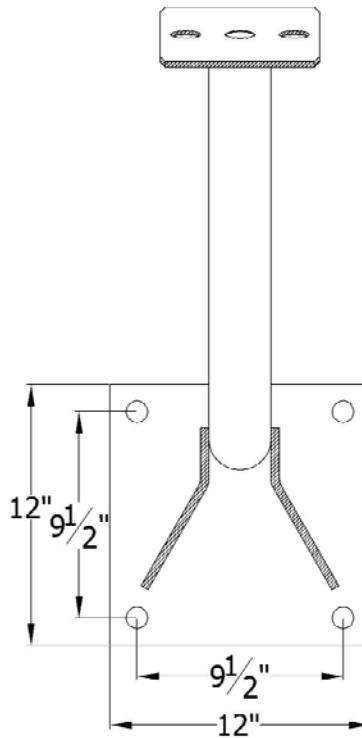




**Bolt On Portable Lifeline Stanchion**  
Part# 00041-10

**SPECIFICATIONS**  
PAGE 1 OF 1



**DESCRIPTION**

The Safe Approach portable lifeline stanchion takes the worry out of fall protection by providing an easy to install tie-off for multiple workers that must work at height before flooring or other fall protection is available. It can be bolted to concrete or steel structure. Minimum 1/2" x 12" flange when bolting to steel. The stanchion is designed to be used with any Safe Approach horizontal lifeline system or it may be used as a direct tie-off point for up to 2 workers utilizing a self retracting lifeline.

**GENERAL SPECIFICATIONS**

Item	Description	Finish
Base	A-36 Steel	Powder Coat
Tube	2-1/2" Sch40 Steel	Powder Coat
Concrete Anchoring—3/4" diameter anchors, minimum 9,000lb per anchor ultimate tension.		
Steel Anchoring—3/4" diameter fasteners, Grade 5 or better.		
Capacity—Using Safe Approach HLL system: maximum span 60', 2 workers, max weight 310 lbs/ea including tools and equipment		
Using SRL: maximum 2 workers, max weight 310lbs/ea SRL must limit max arrest force to 1350lbs or less.		
Technical References: Meets OSHA 1926 Subpart M		