

FCP

**FrenchCreek
Production**

Made in the U.S.A.

Tech-Spec Sheet

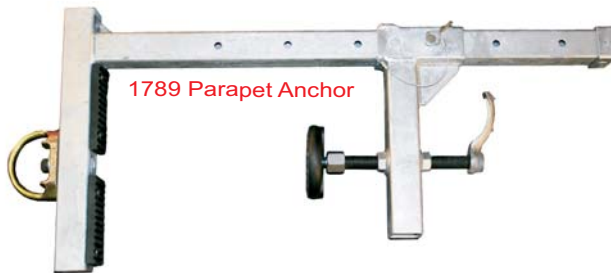
Product No. 1789

Parapet Anchor

Rev. no.:

Date:

Page:



Product Description:

The 1789 Parapet Anchor is designed to provide a single worker with a portable, temporary anchorage on parapet walls up to 20" thick. Applications include window washing, construction, emergency/rescue situations, & more.

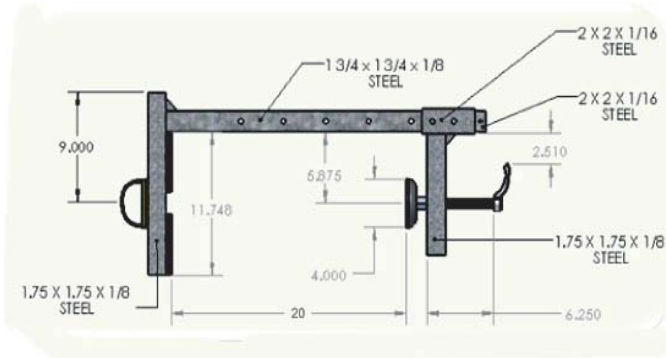
The Parapet Anchor is a clamp design anchor that utilizes an adjustable leg by moving the leg to the desired position and locking it in with a pin. An adjustable rubber foot (for fine adjustment) located on the adjustable leg assists in securing the locked position. A D-ring provides the actual worker attachment point. Rubber pads protect surfaces from marring and damage.

Performance Specifications:

Adjustment range from 1" to 20" wide
Approved for one user ONLY
Ultimate Tensile Strength: 5000 lbs.
Meets or Exceeds: OSHA Subpart M,
ANSI A10.14, ANSI Z359.1
Working Capacity: 310 lbs. w/ tools and equipment

Material Specifications:

- No tools required for installation
- Manufactured of Galvanized Steel
- Weight 15 lbs.



FCP

**FrenchCreek
Production**

Made in the U.S.A.

Because your life is on the line!

626 Thirteenth Street • Franklin, PA 16323 • Toll Free: 877.228.9327 • 814.437.1808

fax: 814.437.2544 • fcp@velocity.net • www.frenchcreekproduction.com

Proudly Made in the U.S.A.