



FALLTECH®

POST ANCHOR SYSTEM

FALLTECH
800-710-6118
Material: Steel
Meets: ANSI Z359.18-2017 Type D for Steel and Steel
Meets: OSHA 1926.502 for Wood, Steel, and Concrete
Minimum Service Temperature: +10°F
Minimum Breaking Strength (MBS): 5,000 lb

PERSONAL FALL ARREST POST ANCHOR SYSTEM

A personal fall arrest system requires a tie off point. Working on steel, concrete, wood, or metal decking presents challenges in anchoring your personal fall arrest system. The FallTech® line of Post Anchors provide a modular, multi-purpose system of versatile solutions designed for permanent installation, easily adapting to the most challenging work environments to meet site-specific requirements. The FallTech® Post Anchor system can be used for fall arrest, restraint, and horizontal lifeline applications.

18" Fixed Connection Post Anchor for Concrete and Steel

- Fully galvanized structural steel post and base plate for durable performance.
- 12"x 12" x 3/8" thick galvanized structural steel baseplate allows for installation onto I-beams or other structures.
- 12" and 18" heights comfortably elevate user's connection point above the working surface.
- For permanent installation onto concrete or steel structures.
- For use in personal fall arrest, restraint, and some horizontal lifeline applications.
- User-supplied fasteners required (see user's instruction manual)



78218CSWE
18" Fixed connection post anchor for concrete and steel

Materials	
Steel Plate	Galvanized Steel
Post	

Performance Specifications	
Static Strength	5,000 lbs. Minimum
ANSI User Capacity	One User up to 310 lbs. Max
OSHA User Capacity	Allowable up to 425 lbs.

Relevant Standards	
ANSI	Z359.18-2017
OSHA	1926.502

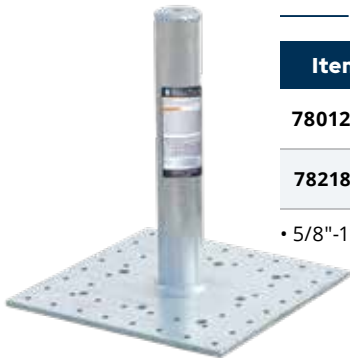


Fixed welded-eye post anchors for concrete and steel			
Item No.	Post Height	Base Plate	Surface
78012CSWE	12"	12" x 12" x 3/8"	Concrete, Steel
78218CSWE	18"	12" x 12" x 3/8"	Concrete, Steel
78012WCSWE	12"	16" x 16" x 3/8"	Wood, Concrete, Steel
78218WCSWE	18"	16" x 16" x 3/8"	Wood, Concrete, Steel

PERSONAL FALL ARREST POST ANCHOR SYSTEM

FallTech® Post Anchors offer a complete system of modular, versatile solutions for permanent installation onto wood, concrete, and steel. Post anchors are available in post heights of 12" and 18", allowing end users to easily adapt to various applications. The threaded post anchor connector allows for connection of the swivel D-ring or SRL cradle providing improved range and freedom of movement compared to the more traditional fixed connection post.

Threaded Post Anchor Connector for Wood, Concrete, and Steel



Item No.	Post Height	Base Plate
78012WCSTH	12"	16" x 16" x 3/8"
78218WCSTH	18"	16" x 16" x 3/8"

• 5/8"-11 threaded hole

Threaded Post Anchor Connector for Concrete and Steel



Item No.	Post Height	Base Plate
78012CSTH	12"	12" x 12" x 3/8"
78218CSTH	18"	12" x 12" x 3/8"

• 5/8"-11 threaded hole

Post Anchor Connector with Swivel SRL Cradle for Wood, Concrete, and Steel



Item No.	Post Height	Base Plate
78012WCSSC	12"	16" x 16" x 3/8"
78218WCSSC	18"	16" x 16" x 3/8"

Post Anchor Connector with Swivel SRL Cradle for Concrete and Steel



Item No.	Post Height	Base Plate
78012CSSC	12"	12" x 12" x 3/8"
78218CSSC	18"	12" x 12" x 3/8"

Post Anchor Connector with Swivel D-ring for Wood, Concrete, and Steel



Item No.	Post Height	Base Plate
78012WCSSD	12"	16" x 16" x 3/8"
78218WCSSD	18"	16" x 16" x 3/8"

Post Anchor Connector with Swivel D-ring for Concrete and Steel



Item No.	Post Height	Base Plate
78012CSSD	12"	12" x 12" x 3/8"
78218CSSD	18"	12" x 12" x 3/8"

INDIVIDUAL POST ANCHOR COMPONENTS



Weld-on Threaded Hole Post

Item No.	Post Height
78012PTH	12"
78218PTH	18"

• 5/8"-11 threaded hole



Weld-on Welded-eye Post

Item No.	Post Height
78012PWE	12"
78218PWE	18"



SRL Cradle

Item No.	Dim.
7840SC	N/A



Swivel D-Ring

Item No.
7840SD



Base Plate for Concrete and Steel

Item No.	Dim.
78312P	12" x 12" x 3/8"



Base Plate for Wood, Concrete and Steel

Item No.	Dim.
78316P	16" x 16" x 3/8"

Materials			Performance Specifications		Relevant Standards							
78012CSSD	Post Anchors	Galvanized Steel	78012CSSD	5,000 lbs. Minimum	78012CSSD	ANSI: Z359.18-2017						
78012CSSC			78012CSSC		78012CSSC							
78012CSWE			78012CSWE		78012CSWE							
78012CSTH			78012CSTH		78012CSTH							
78012WCSSD			78012WCSSD		78012WCSSD							
78012WCSSC			78012WCSSC		78012WCSSC							
78012WCSWE			78012WCSWE		78012WCSWE							
78012WCSTH			78012WCSTH		78012WCSTH							
78218CSSD			78218CSSD		78218CSSD							
78218CSSC			78218CSSC		78218CSSC							
78218CSWE			78218CSWE		78218CSWE							
78218CSTH			78218CSTH		78218CSTH							
78218WCSSD			78218WCSSD		78218WCSSD							
78218WCSSC			78218WCSSC		78218WCSSC							
78218WCSWE			78218WCSWE		78218WCSWE							
78218WCSTH			78218WCSTH		78218WCSTH							
78012PTH			Threaded Hole Post Only		Plated Alloy Steel		78012PTH	ANSI: One User up to 310 lbs. Max	78012PTH	OSHA: 1926.502		
78218PTH							78218PTH		78218PTH			
78012PWE	Welded-Eye Post Only	78012PWE	OSHA: Allowable up to 425 lbs. Max	78012PWE		OSHA: 1926.502						
78218PWE		78218PWE		78218PWE								
78312P	Base Plates	78312P		OSHA: Allowable up to 425 lbs. Max			78312P		OSHA: 1926.502			
78316P		78316P					78316P					
7840SD	Swivel D-ring for Post Anchor	7840SD					OSHA: Allowable up to 425 lbs. Max				7840SD	OSHA: 1926.502
7840SC	SRL Cradle for Post Anchor	7840SC									7840SC	