

SPEC SHEET

Sliding Beam Anchor-Horizontal



STAH

Features

Ideal for overhead fixed-position anchor points

Nylon bushings provide smooth movement

No tools are necessary for fast installation

Fits beam flanges from 1/2" to 2" in thickness

Tensile Strength 5,000 lbs

Max. Capacity 425 lbs

Material Specifications

Hex Bar Aluminum Alloy

Jaws Aluminum Alloy

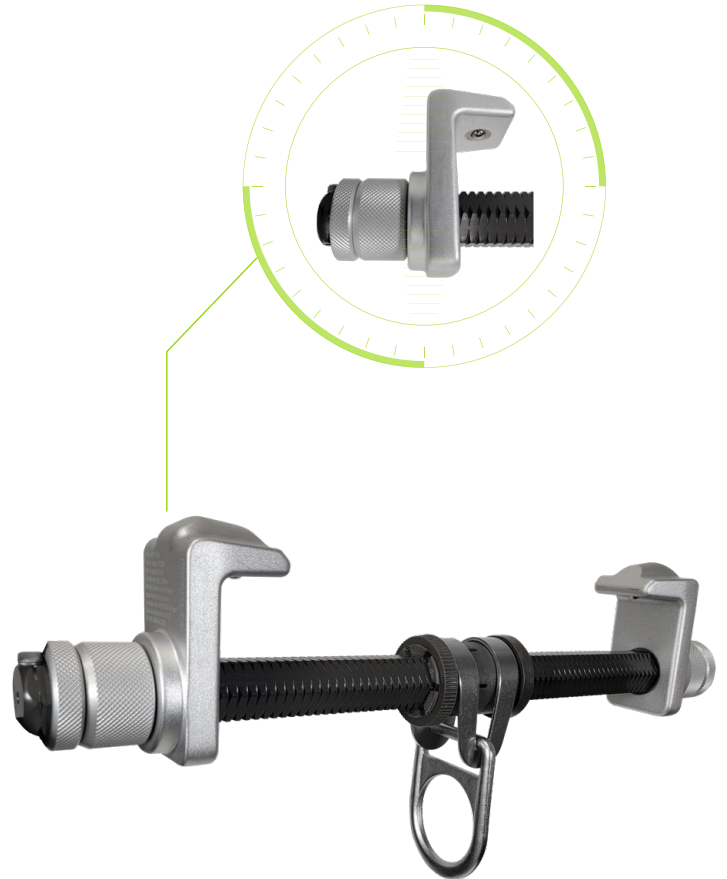
D-ring assembly Alloy Steel

Relevant Standards

ANSI Z359.18

OSHA 1926

1910



ST12AH



Beam flange width ranging: 3.5" - 12"

WEIGHT: 4.81 lbs

ST18AH



Beam flange width ranging: 3.5" - 18"

WEIGHT: 5.64 LBS