

ROWT18 Roof Wood Truss Anchor

Design Specifications

The Wood Truss Anchor can be installed in a variety of structural wooden beams at a multitude of angles.

Material Specifications

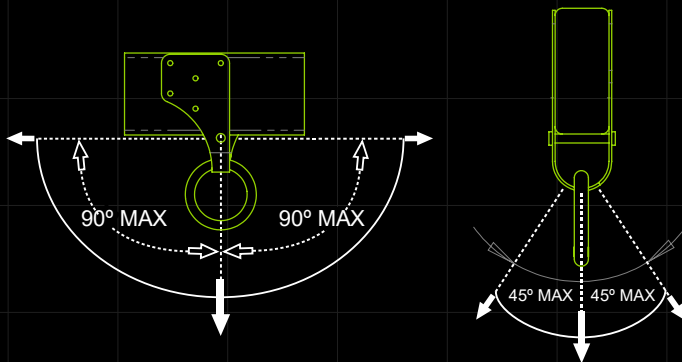
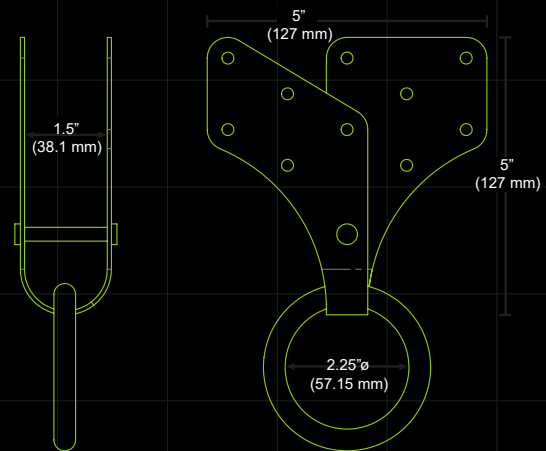
Anchor Materials	Zinc Plated Steel
	Stainless Steel
Weight	0.7 lbs

Performance Specifications

Minimum Breaking Strength	1,800-lbf / 8kN
Max User Weight	310-lbs / 140kg
Max. Arrest Force	900-lbf / 4kN

Relevant Standards

OSHA	CFR 1926.502
	CFR 1910.140



WARNINGS:

- Do not skip user instructions supplied with this product.
- Alteration or misuse of this product or failure to follow instructions may lead to serious injury or even death.