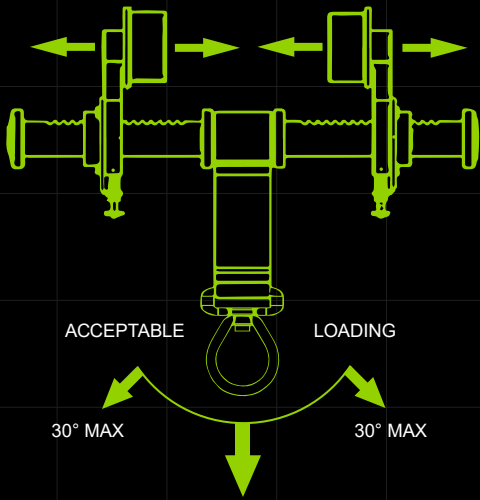




SPEC SHEET



ST10HT Aluminum I-Beam Trolley Anchor for 3" - 10"

Design Specifications

A removable and reusable sliding I-beam anchor, easy to place and remove

This anchor is designed to easily roll along the beam while trailing the worker

Adjustable from 3" - 10"

Flange Size: 1/4" - 7/8"

Material Specifications

Hardware	Stainless Steel
Swivel	Zinc Plated Steel
Rollers	Aluminum
Cross Bar	
Webbing	Polyester

Performance Specifications

Tensile Strength	5,000-lbf / 22kN
Max User Weight	310-lbs / 140kg
Working Load	1,000-lbs / 454kg

Relevant Standards

ANSI	Z359.1-2007
	Z359.7-2011
OSHA	CFR 1926.502
	CFR 1910.140

WARNINGS:

- Do not skip user instructions supplied with this product.
- Alteration or misuse of this product or failure to follow instructions may lead to serious injury or even death.

