

FINAL ASSEMBLY

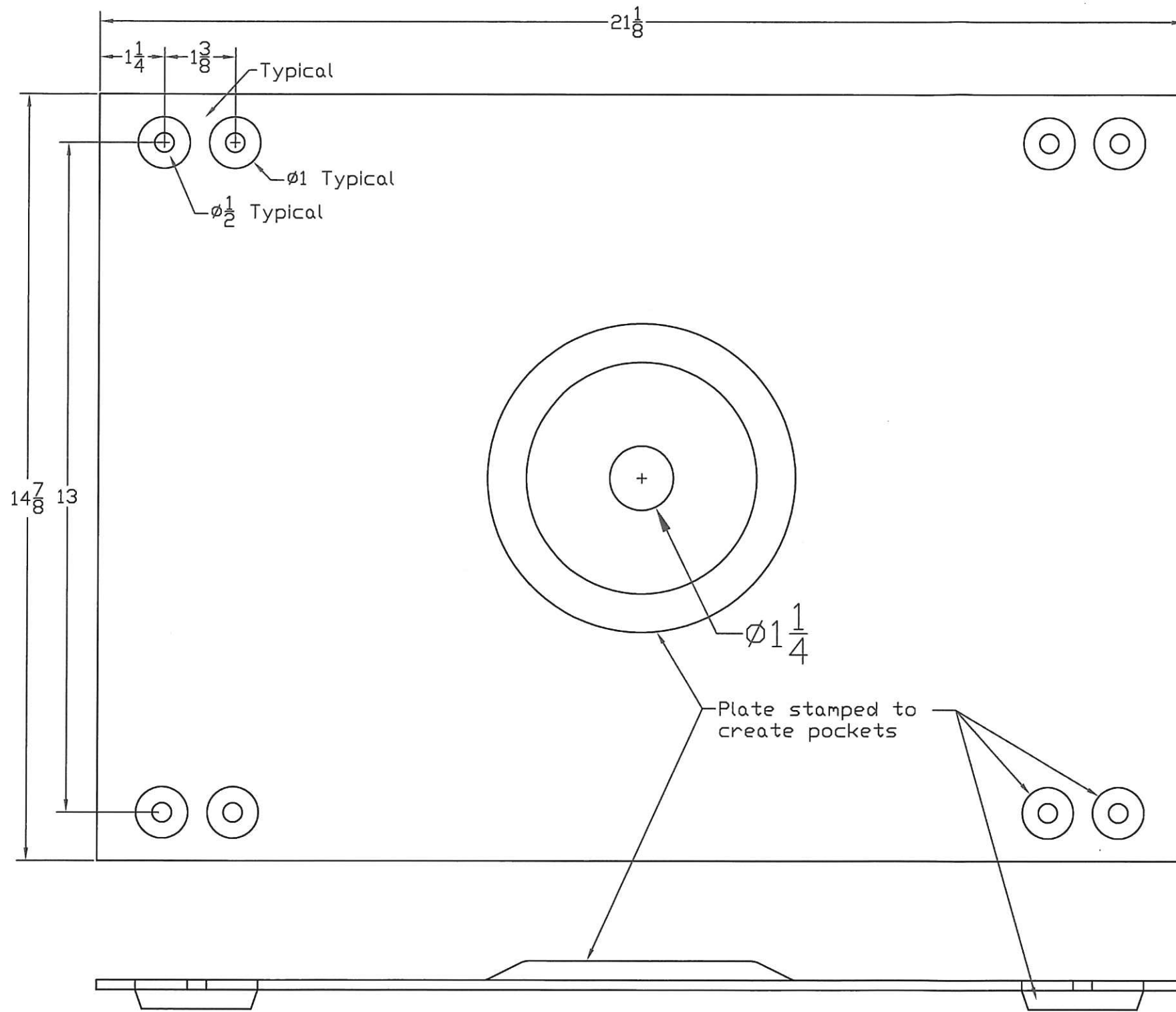
Safe
Approach
Inc.
Innovators
In Safety

2005 Mechanic Falls Rd
Poland, ME 04274
(207) 345-9900

DWN.BY: Dave K
CHECK:
ENG:
DATE: 4/28/2020

PRODUCT: TIP OVER ROOF ANCHOR
PART#: P-00550

DRAWING NAME:
DRAWING NBR:
SCALE AS NOTED
REV. 1 SHEET 1 OF 7



BASE PLATE: 3/16" HR Plate - 1 PC

BASE PLATE COMPONENTS

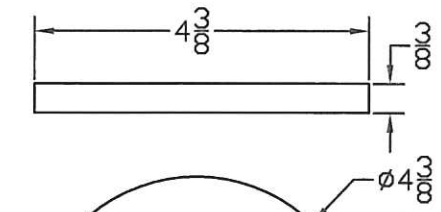

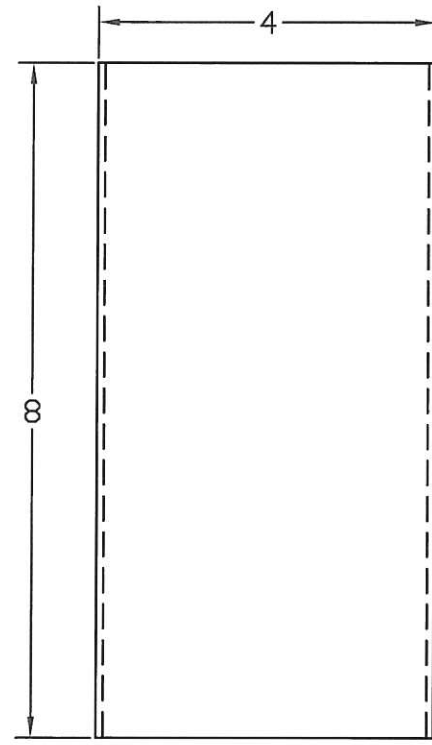


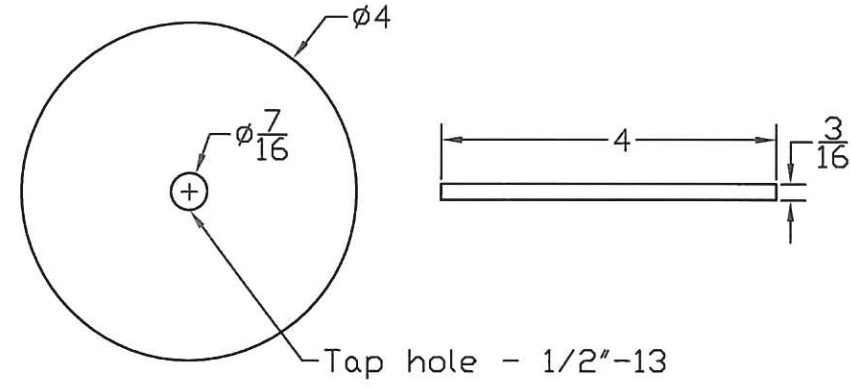
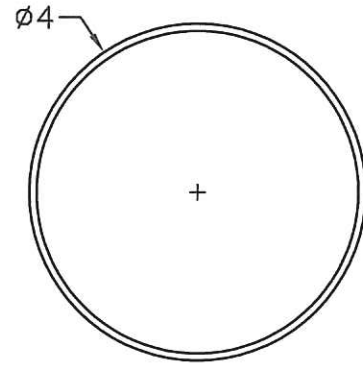
PLATE DISK: 3/8" HR Flat - 1 PC

punch 9/16
tap 5/8-11

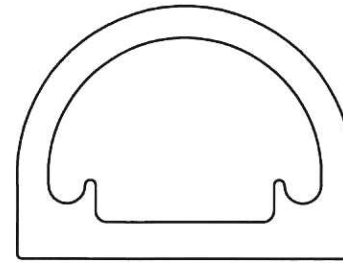
DRAWING NAME:		DRAWING NBR:		SCALE AS NOTED	
PRODUCT: TIP OVER ROOF ANCHOR		PART #: P-00550		REV. 1 SHEET 2 OF 7	
DWN.BY:	Dave K	DATE:	4/28/2020		
CHECK:		ENG:			
 200 Mechanic Falls Rd. Poland, ME 04274 (207) 345-9900					



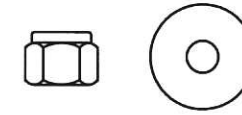
POST: 4"OD x 14ga A513 Steel Tubing - 1 PC



POST CAP: 3/16" HR Flat - 1 PC



D-Ring: Niagara N904 - 1 PC



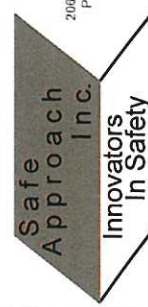
1/2" -13 SS Nylock Nut
 1/2" SS Flat Washer w/ Rubber Gasket
 Fastenal Part # 173339

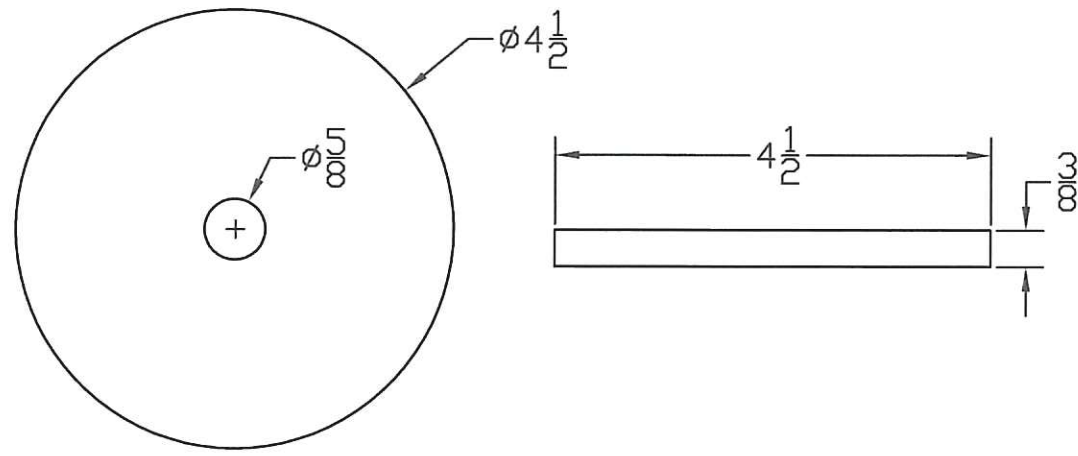
CAN COMPONENTS

DRAWING NAME:	
DRAWING NBR:	
SCALE:	AS NOTED
REV. 1	SHEET 3 OF 7

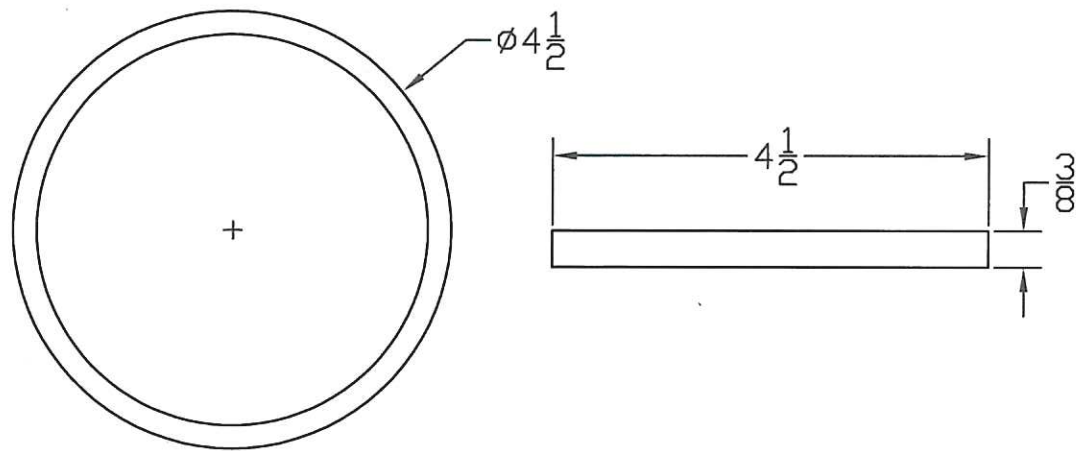
PRODUCT:	TIP OVER ROOF ANCHOR
PART #:	P-00550

DWN.BY:	Dave K
CHECK:	
ENG:	
DATE:	4/28/2020

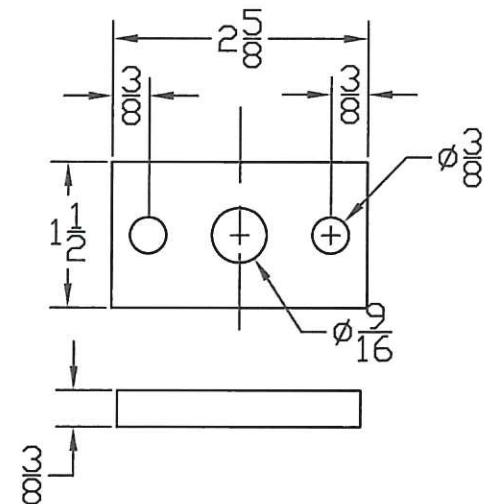

 Safe Approach Inc.
 Innovators In Safety
 205 Mechanic Falls Rd.
 Poland, ME 04274
 (207) 345-9000



BOTTOM PLATE: 3/8" 304SS Flat - 1 PC

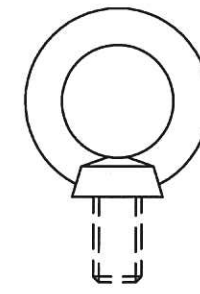


BOTTOM RING: 4" SCH40 304SS Pipe - 1 PC

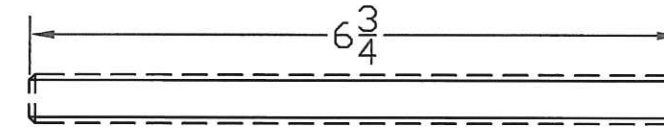


LOAD PLATE: 3/8" x 1-1/4" 304 SS Flat - 1 PC

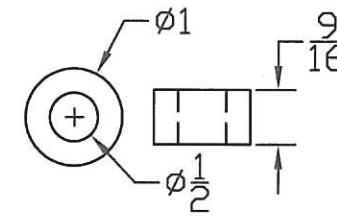
INNER COMPONENTS



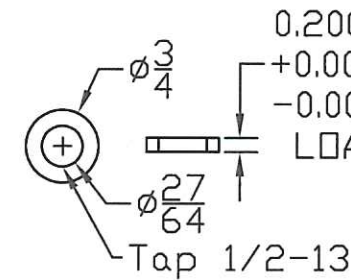
EYE BOLT: Suncor S0316-0016 - 1 PC
5/8"-11 Thread



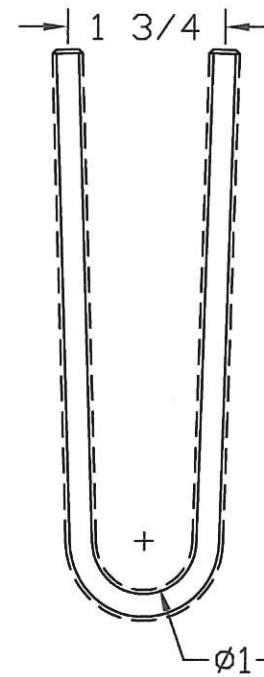
MAIN SHAFT: 1/2-13 304SS Rod - 1 PC






DAMPER: UHMW - 1 PC

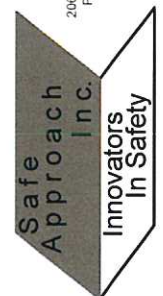


LOAD RING: 6061-T6 Alum - 1 PC

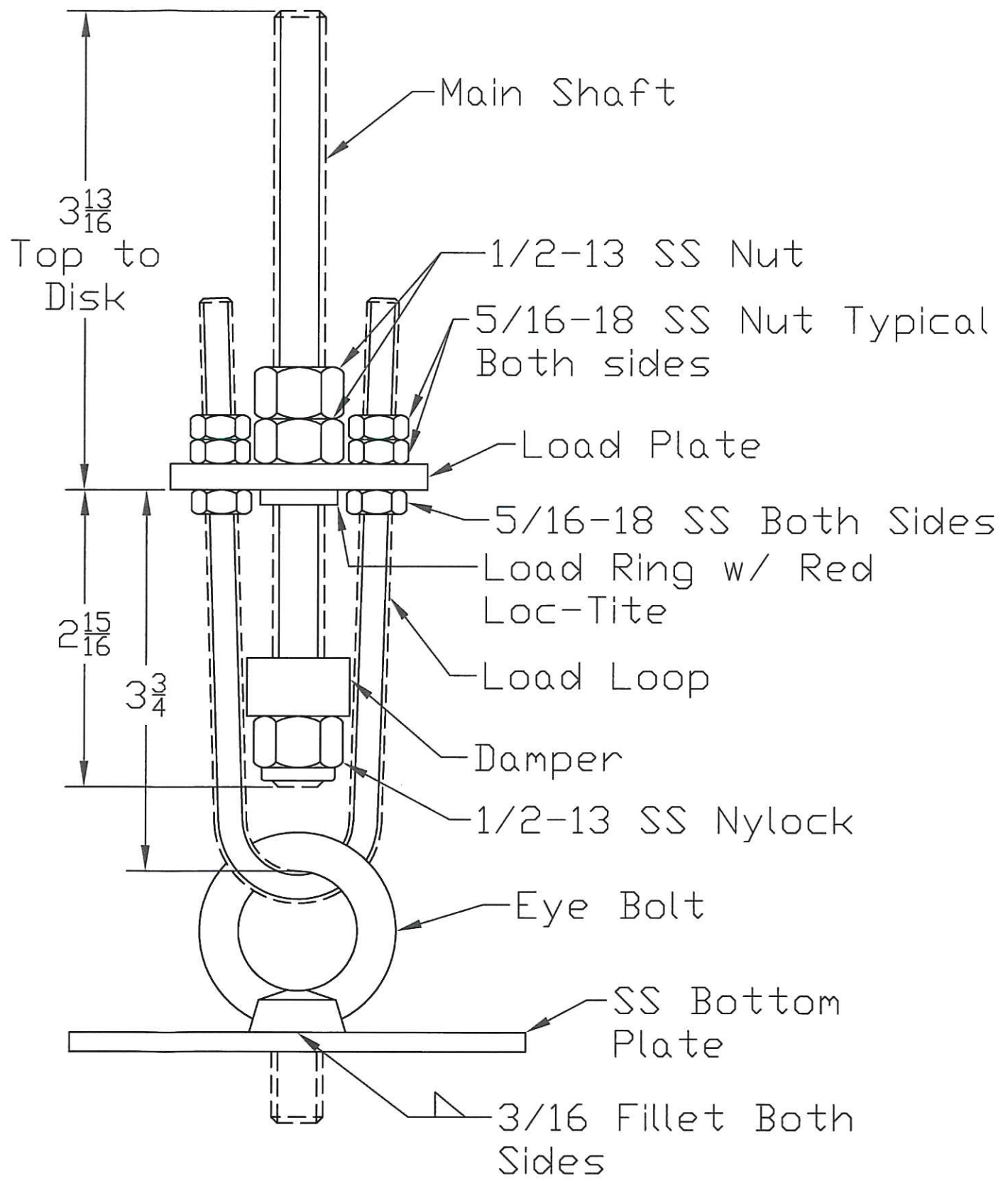


LOAD LOOP: 5/16-18 304SS Rod - 1 PC

-  1/2-13 SS Nut - 2 PCS
-  1/2-13 Zinc Nylock Nut - 1 PC
-  5/16-18 SS Nut - 6 PCS

DRAWING NAME:		DRAWING NBR: SI.1		SCALE: AS NOTED		REV. 1 SHEET 4 OF 7	
PRODUCT: TIP OVER ROOF ANCHOR				PART #: P-00550			
DWN.BY:	CHECK:	ENG:	DATE:	Dave K			4/28/2020
 205 Mechanic Falls Rd. Poland, ME 04274 (207) 345-9900							

INNER ASSEMBLY



	200 Mechaic Falls Rd Poland, ME 04274 (207) 345-9900		DWN:BY:	Dave K	PRODUCT: TIP OVER ROOF ANCHOR PART#: P-00550	DRAWING NAME:	
	CHECK: ENG: DATE:		4/26/2020			DRAWING NBR: S1.1 SCALE AS NOTED	REV. 1 SHEET 5 OF 7

CAN ASSEMBLY

After can is assembled, tack
 $\frac{1}{2}$ " rod to can in 2 places.

Grind smooth
all around

Tack Weld

Tack Weld

SS Nylock Nut w/ Washer

D-Ring

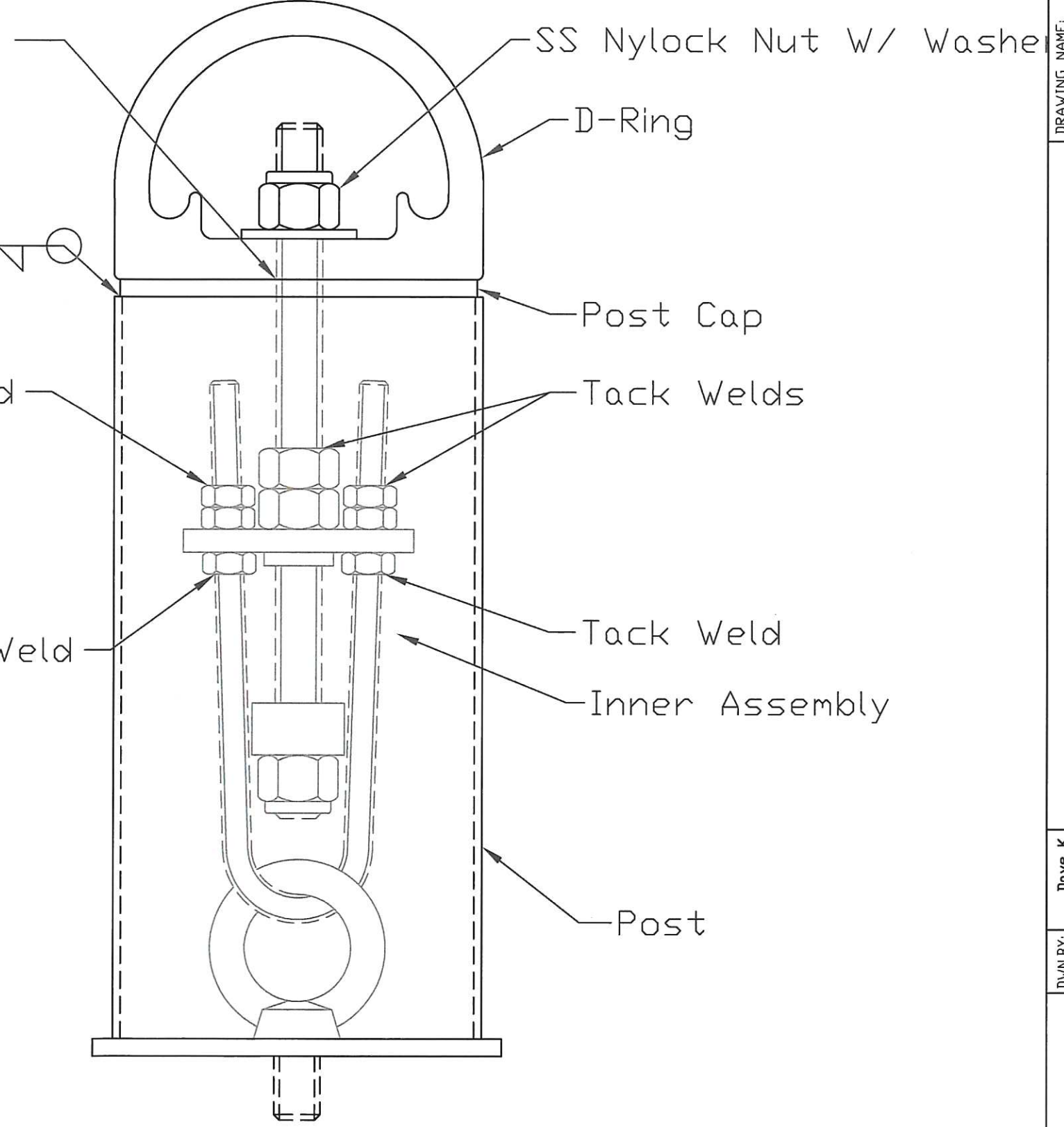
Post Cap

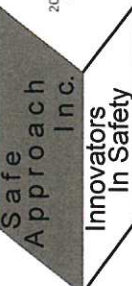
Tack Welds

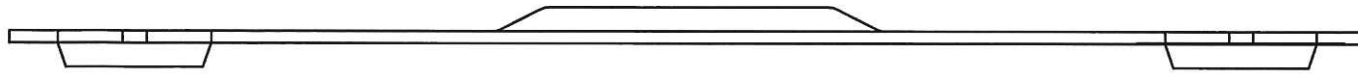
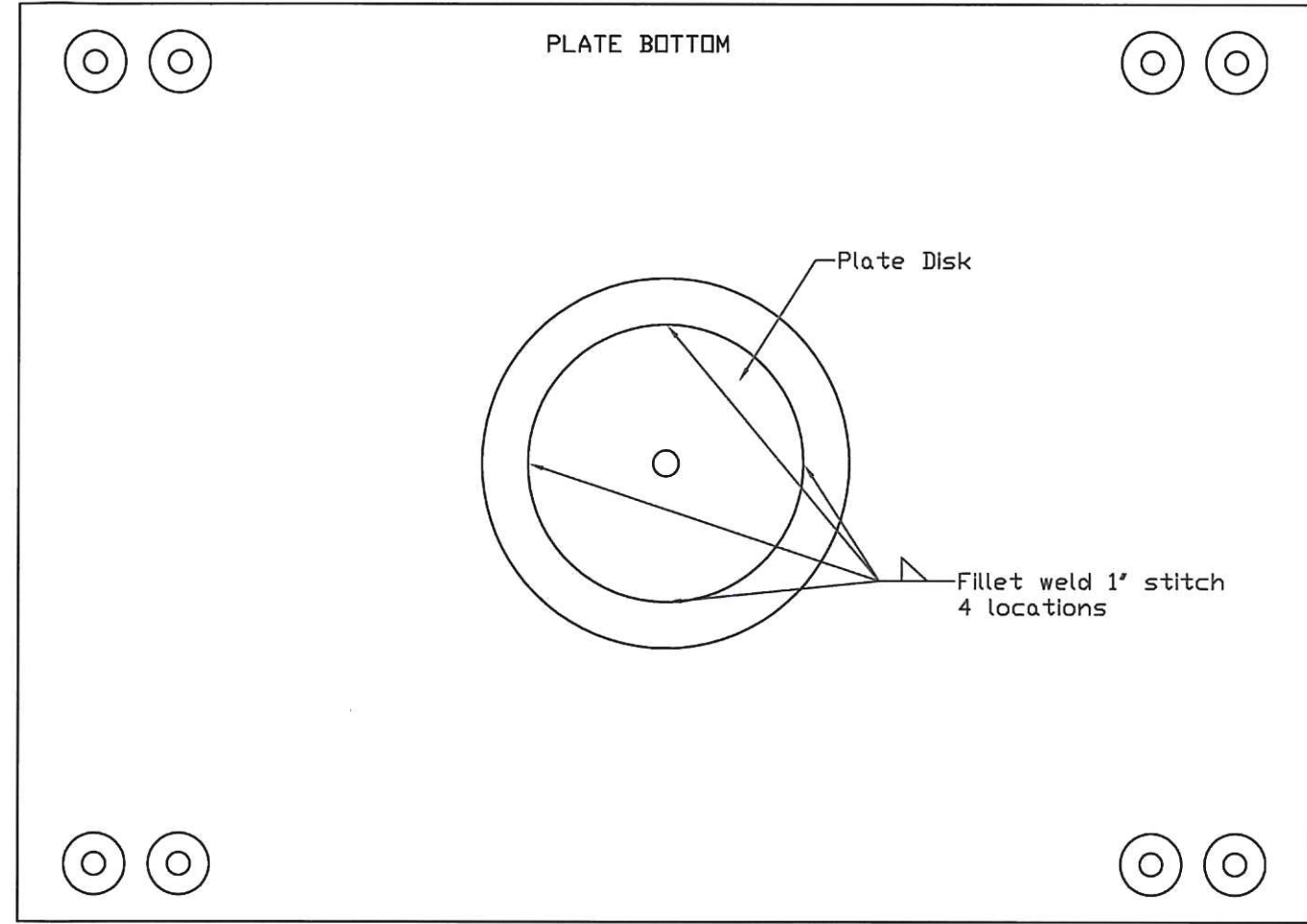
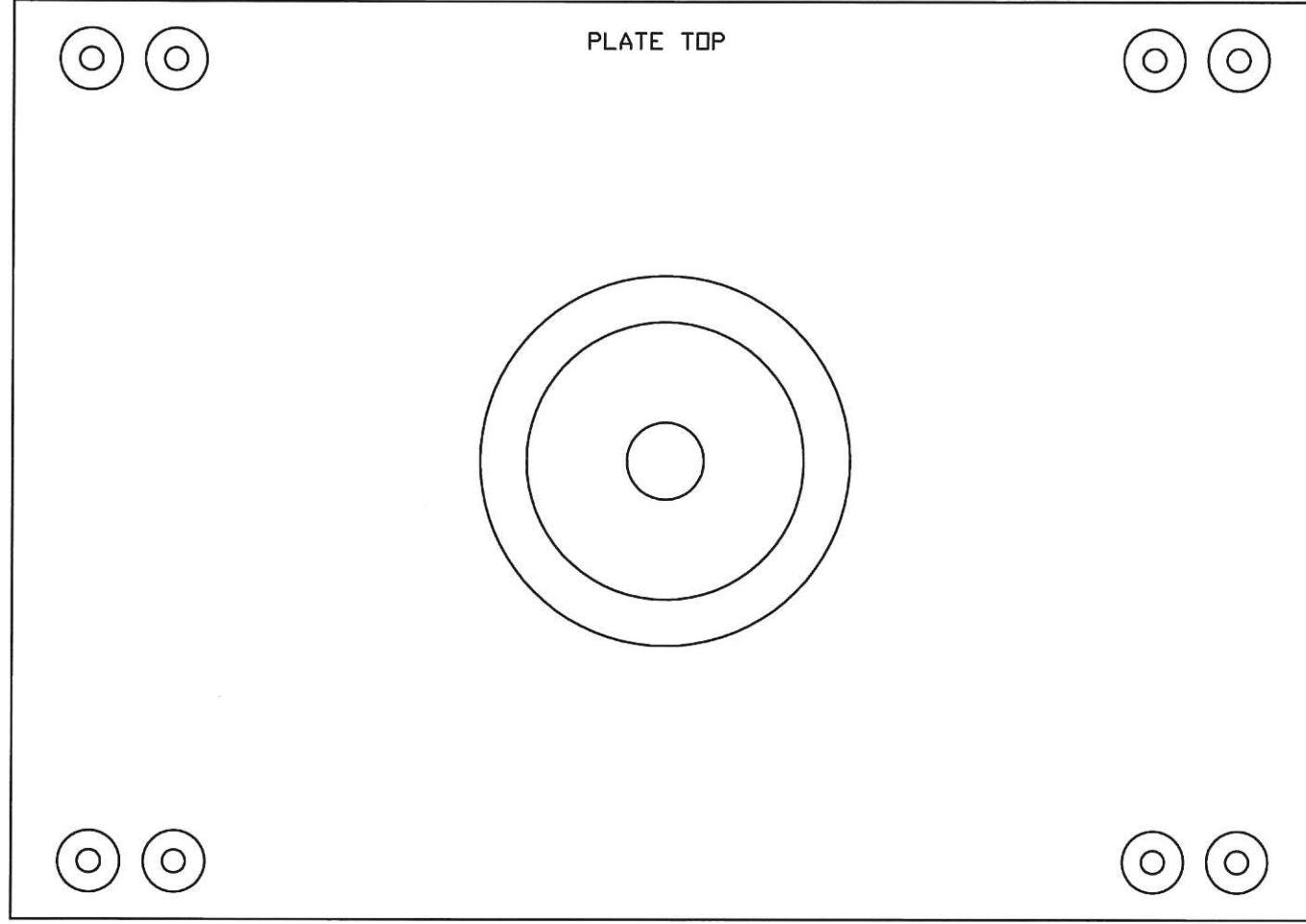
Tack Weld

Inner Assembly


Post



DRAWING NAME:		DRAWING NBR: S1.1		SCALE AS NOTED		REV. 1 SHEET 6 OF 7	
PRODUCT: TIP OVER ROOF ANCHOR				PART#: P-00550			
DWN.BY:	DAVE K	CHECK:		ENG:		DATE:	4/28/2020
 Safe Approach Inc. Innovators In Safety 200 Mechanic Falls Rd. Poland, ME 04274 (207) 345-0900							



BASE PLATE ASSEMBLY

 Safe Approach Inc. Innovators In Safety	200 Mechanic Falls Rd Poland, ME 04274 (207) 345-0900	DWN.BY: Dave K CHECK: ENG: DATE: 4/28/2020	PRODUCT: TIP OVER ROOF ANCHOR PART#: P-00550	DRAWING NAME: DRAWING NBR: S1.1 SCALE AS NOTED REV. 1 SHEET 7 OF 7
---	---	---	---	---