



SAFEWAZE

FS876 Removable Concrete Hole Anchor

WARNING!

These instructions must be read and understood by all persons using this device. Improper use could result in serious injury or death. This product must be used in strict compliance with local, state and federal OSHA regulations. All users should have training and instruction at routine intervals. This device is to be used only with ANSI & OSHA compliant fall arrest systems. This device must be installed per provided instructions and must be inspected before and after each use. If this device is subjected to a fall or other damaging incident it must be removed from service and destroyed per instructions.

Requirements & Specifications:

- Follow all manufacturer's instructions.
- For FALL PROTECTION ONLY.
- For use in concrete substrate only.
- DO NOT use in wet/uncured concrete.
- Concrete must have 3000 psi minimum compressive strength.
- Always inspect prior to use.
- For use by qualified fall protection personnel only.
- Use only compatible connectors, snap-hooks or carabiners with this unit.
- This unit is not to be used for any other anchoring situation.
- Anchor rated @ 5,000 lbs. for single user up to 310 lbs.
- DO NOT use in steel, wood or any substrate other than concrete.
- For use in horizontal, vertical, or overhead applications.

Inspection:

- Make sure unit is straight and operates smoothly.
- Make sure the Tag is affixed to unit.
- Make sure the Retractor Handle is not bent or damaged.
- Make sure Retractor Cables are not kinked, frayed or damaged.
- Make sure metal components are not damaged.
- Make sure Chocks and Wedge operate smoothly, and no metal burrs occur.
- When reusing a previously drilled hole, always inspect the hole carefully.

Storage & Cleaning:

- Blow off unit after each use with compressed air.
- Store in clean dry environment.
- Store in secure locked area.
- Store and put away at the end of each day's work.

- Do not pile any objects on top of unit during storage.
- Keep unit free of grease, oils and dirt.
- Never lend unit to other workers.

Disposal:

- Dispose of unit after any fall has occurred.
- Dispose of unit if any cable becomes kinked or frayed.
- Dispose of unit if Retractor Handle, Stop Ferrule or Wedge is bent or damaged.
- Dispose of unit if retractor action is rough or sticky.
- Proper disposal requires that both Chocks are cut off from the Retractor Cables and all parts thrown away.

Hole Drilling & Placement Requirements:

- Anchor holes must be drilled using only industrial grade 3/4" rotary hammer drill bits and a rotary hammer drill.
- NEVER USE A BENT DRILL BIT.
- Hole must be drilled (bored) straight and parallel and free of any peaks or valleys on the inner wall.
- Hole must be a minimum depth of 3" into the substrate.
- Hole must be cleaned with compressed air to remove any drilling debris.
- When reusing a previous hole, inspect carefully for debris and uniform surface. If necessary drill another proper hole.
- If concrete is 12" thick x 12" wide (or more) the hole must be at least 6" from any edge or corner.
- If concrete is 10" thick x 16" wide (or more) the hole must be at least 8" from any edge or corner.
- If concrete is 8" thick x 20" wide (or more) the hole must be at least 10" from any edge or corner.
- If concrete is 5" thick (or more) the hole must be at least 12" from any edge or corner.

Make sure this tag is affixed to the unit:

CONCRETE HOLE ANCHOR
Model # FS876 MFGD: 0216 SERIAL #004434
 Use only with 3/4 inch pre-drilled hole: see user instructions.

REMOVAL: Push Easy Button™ with both thumbs to unlock chocks.



"Click"



SAFEWAZE

Concord, NC
 (800) 230-0319

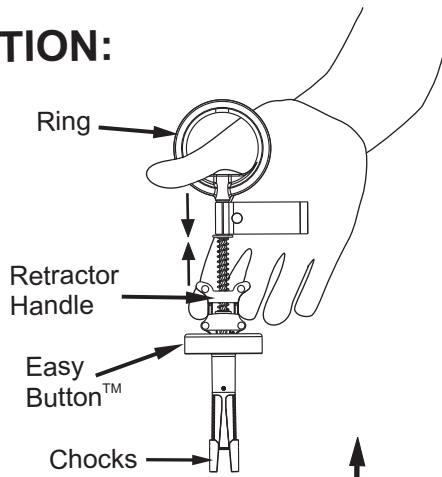
MEETS ANSI Z359.1-2007 & OSHA 1926-502
 U.S. PATENT 7258316

WARNING: Users MUST read and understand all instructions. Failure to do so could result in serious injury or death. DO NOT use in wet or uncured concrete. Use in normal weight concrete with a compression strength of at least 3000 PSI. Remove from service if involved in a fall. Fall protection use only. Mat'ls of construction: stainless steel, zinc-plated steel, zinc plated copper, polymer. DO NOT remove this label.

INSTALLATION:

Step 1:

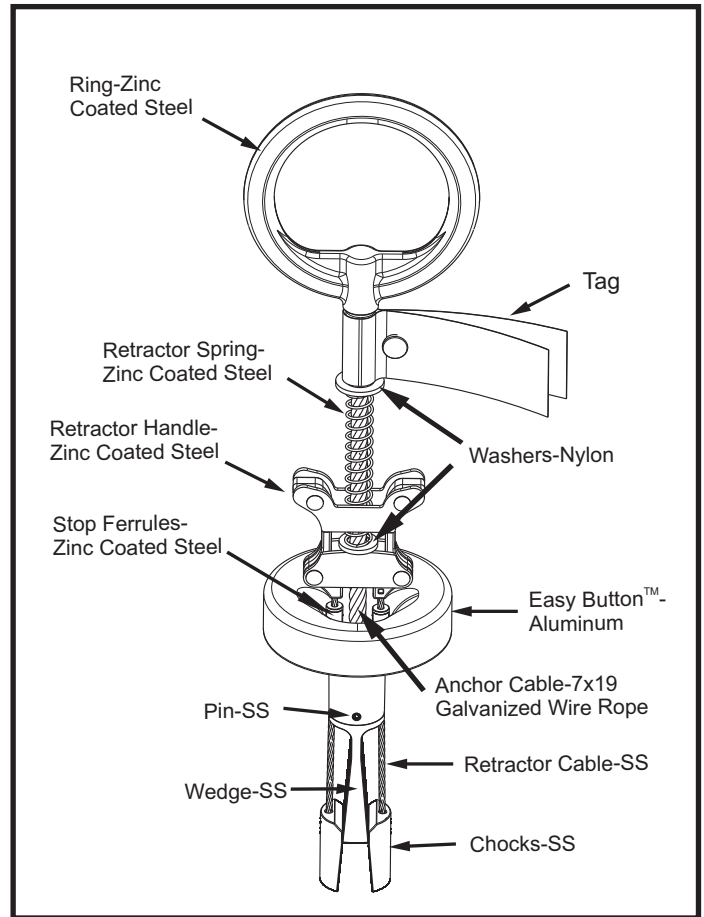
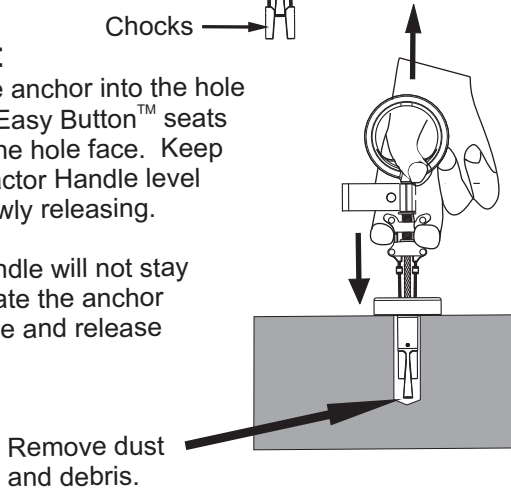
Place thumb through the Ring and pull up on the Retractor Handle to retract the Chocks.



Step 2:

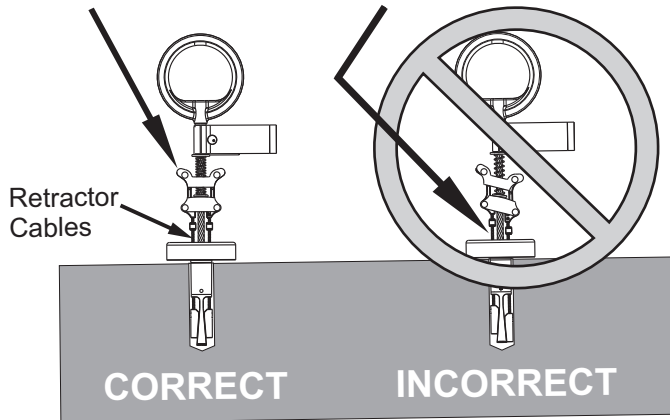
Insert the anchor into the hole until the Easy Button™ seats against the hole face. Keep the Retractor Handle level while slowly releasing.

If the Handle will not stay level, rotate the anchor in the hole and release again.



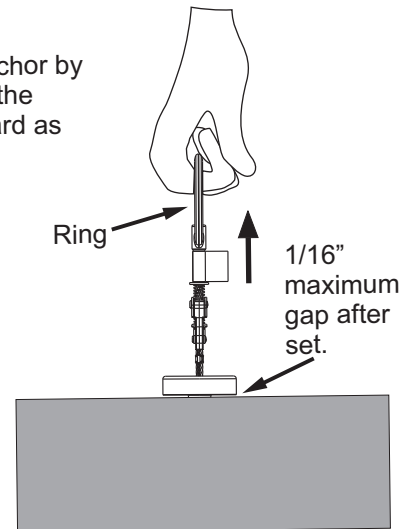
CAUTION: Be sure the Retractor Handle is level to prevent kinked Retractor Cables.

INCORRECT: Using like this will cause kinked Retractor Cables and ruin the Hole Anchor!



Step 3:

Set the anchor by pulling on the Ring as hard as desired.



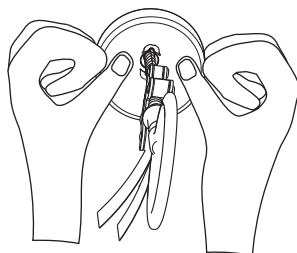
REMOVAL:

Step 1:

To release, push the Easy Button™ with both thumbs or palms to unlock the Chocks.

If the anchor does not release, tap the Easy Button™ with any handy object.

“Click”



Step 2:

Then retract the Handle and remove the anchor from the hole.

