



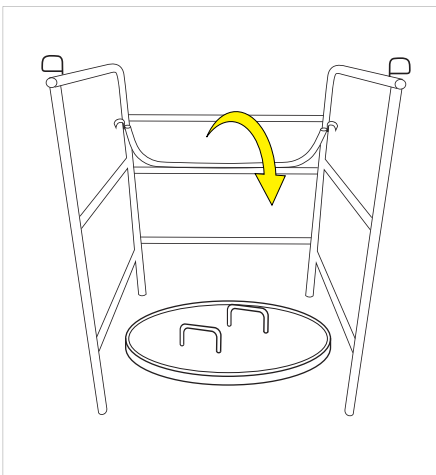
1. Position the guardrail over manhole lid while still covered.



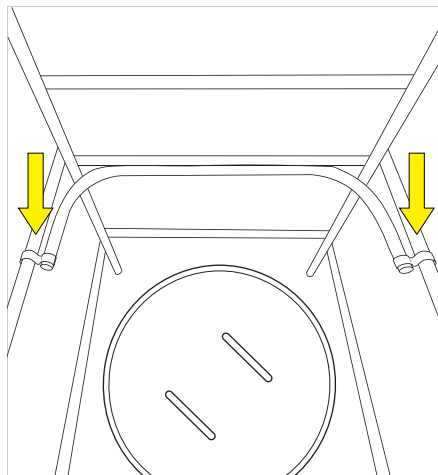
2. Open the manhole legs outwards.



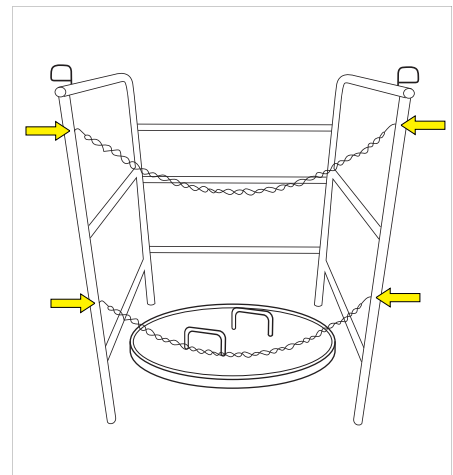
3. Position both arms so that they are parallel to each other.



4. Pull out the safety brace downwards.



5. Secure the safety brace onto both arms so that it locks in place and it's secure and stable.



6. Position the chains on both arms in order to fully secure all four sides.



User Instruction Manual

#### WARNING TO USER!

You are required to read and fully understand the user instruction manual **BEFORE** using this product. Improper use and installation can result in serious injury or death. User manuals occasionally may be updated so for the latest user manual please visit [www.frontlinefall.com/uim](http://www.frontlinefall.com/uim).