



# Q-82 and Q-85-AG Bed Rail Assembly Instructions

## Q-82 Instructions

### Step 1

Engage hook-on bed rails to pins in slots of headboard and footboard end posts. The 1.5" flat side of each bed rail should face the outside.

### Step 2

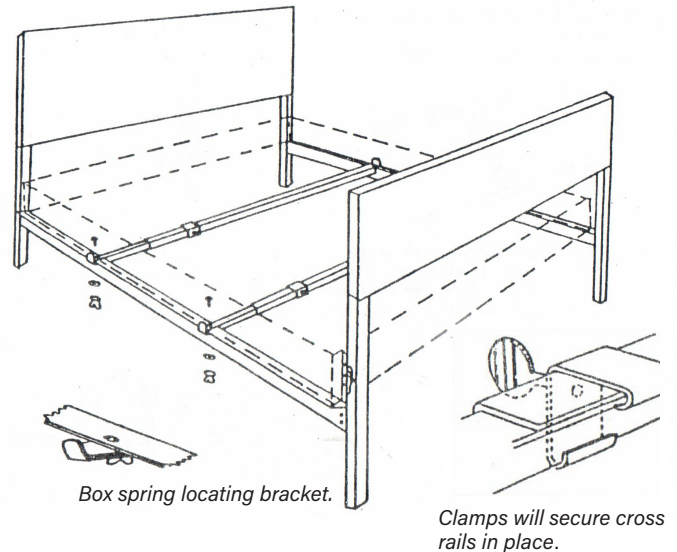
Swing out cross rails until they are at a right angle to the side rails and place clamp as illustrated (far right). Tighten thumbscrew to secure.

### Step 3

Attach the box spring locating bracket (right) to the underside of the bed rail using a bolt, washer, and wing nut. Two brackets go on each rail.

### Step 4

Center the box spring on the bed rails and tighten the wing nut to secure brackets in place.



## Q-85-AG Instructions

### Step 1

Thread each adjustable glide into each of the legs on the adjustable clamp/leg assemblies.

### Step 2

Swing out cross rails until they are at a right angle to the side rails.

### Step 3

Slip clamps on cross rails.

### Step 4

Overlap cross rails and adjust to width of box spring. Tighten thumbscrew to secure.

### Step 5

After assembly, adjust glides to touch the floor for full support.

