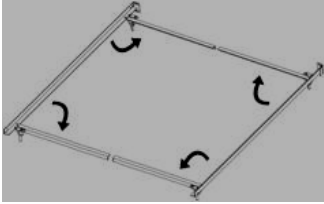


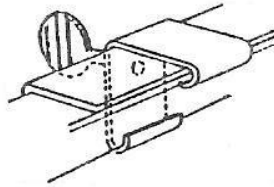
CS3976AG ASSEMBLY INSTRUCTIONS

FOR TWIN AND FULL SIZES

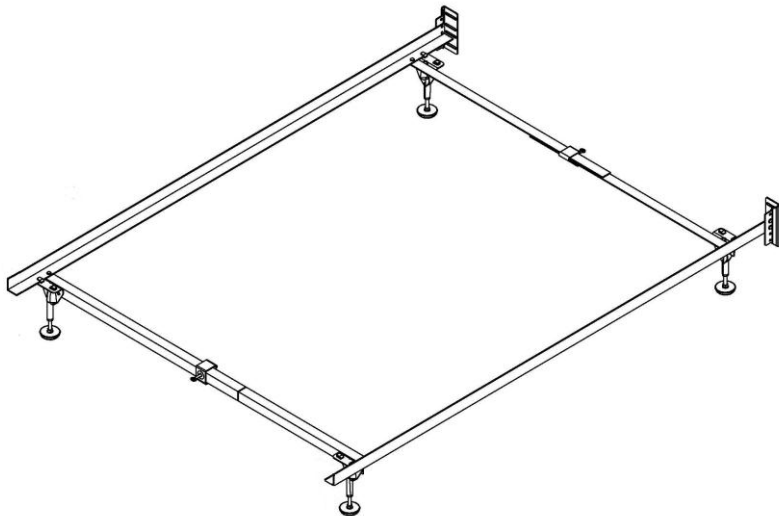
1. Swing out all 4 cross arms.



2. Slip clamps on cross rails.

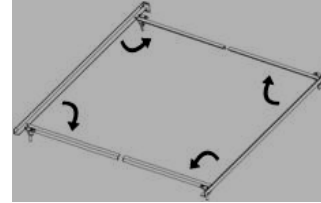


3. Overlap cross rails and adjust to width of box spring.
Place frame on side and place mattress in frame before adjusting.
4. Slide clamps on overlapped cross rails and tighten thumbscrews.
5. Insert threaded sockets into legs, and screw glides into sockets.

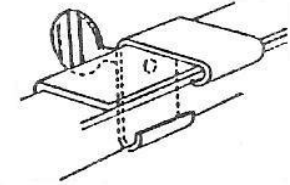


FOR QUEEN, KING, AND CAL KING SIZES

1. Swing out all 4 cross arms.



2. Slip clamps on cross rails.



3. Attach expander section "A" to middle of center support by inserting nuts and bolts tightening securely.
4. Slide clamps on bed cross rails toward legs. Place section "A" on top of bed cross rail and adjust for desired width of box spring.
5. Slide the four clamps over the cross rails and tighten thumbscrew.
6. Insert threaded sockets into legs, and thread glides into sockets desired height.

