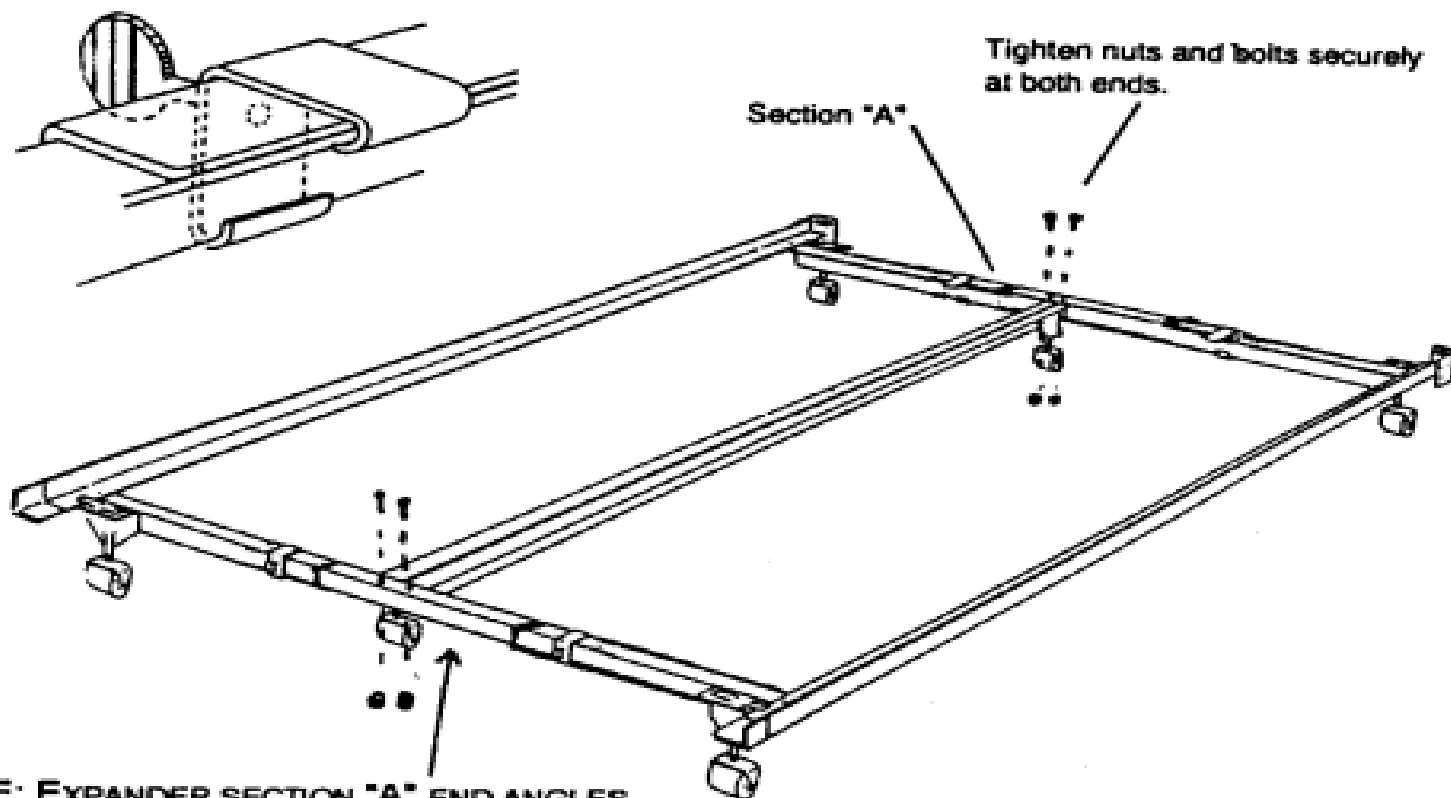


ASSEMBLY INSTRUCTIONS

for MANTUA Adjustable Bed Frames

with "T" Center Support

CS215 & CS270



NOTE: EXPANDER SECTION "A" END ANGLES MUST REST UNDER BED END RAILS IN ORDER TO INSURE PROPER LEVEL OF ALL ROLLERS.

1. ATTACH EXPANDER SECTION "A" TO MIDDLE OF "T" CENTER SUPPORT BY INSERTING NUTS AND BOLTS AND TIGHTENING SECURELY.
2. SLIDE CLAMPS ON BED CROSS RAILS TOWARD LEG. PLACE SECTION "A" UNDER BED CROSS RAILS AND ADJUST FOR DESIRED WIDTH OF BOX SPRING.
3. SLIDE FOUR CLAMPS OVER CROSS RAILS AND EXPANDER. SPACE CLAMPS AND TIGHTEN WITH THUMB SCREWS.
4. INSERT CASTERS OR GLIDES INTO 6 LEGS AND BED IS READY FOR BOX SPRING(S).



Makers of Adjustable Metal Bed Frames, Headboards and Bed Rails

MANTUA MANUFACTURING COMPANY

Corporate Headquarters/Main Plant
7900 Northfield Rd. • Walton Hills, OH 44146

1-800-333-8333