

Insta-Lock Bed Frame Assembly Instructions

Use with models: I-126Q, I-115PR, I-416QPG, I-414PR

Parts included:

All frames include:

- (2) Side Rails
- (2) End Caps
- (2) Screws
- (2) Thumb Nuts
- (1) Center Rail

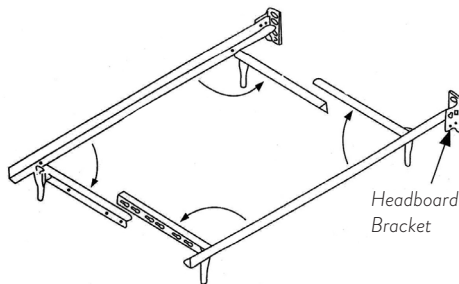
Foot parts for I-126Q & I-416QPG

- (5) Glides

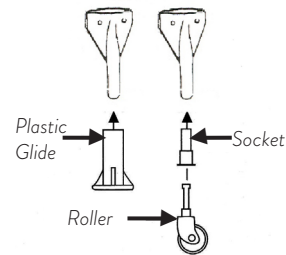
Foot parts for I-115PR & I-414PR

- (4) Plastic Sockets
- (4) Rollers
- (1) Glide

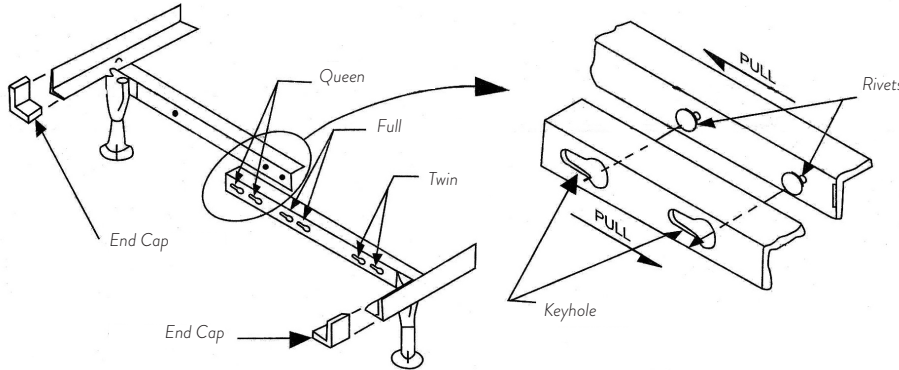
- 1** Set side rails out with the headboard brackets on the same end. Swing out cross rails from the side rails to a 90° angle.



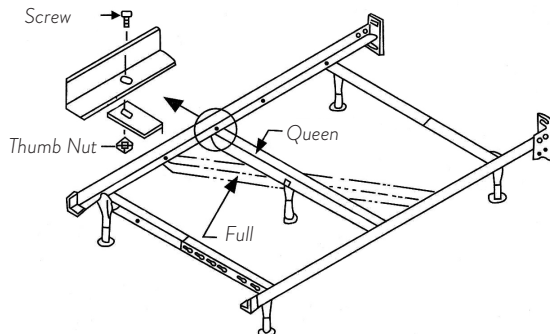
- 2** Install the glides **OR** the sockets & rollers on the legs, including the leg on the center rail.



- 3** Find the keyholes on the cross rails needed for the appropriate size bed. Insert rivets on the other cross rail into the selected keyholes. Slide arms away from each other to lock the position. Repeat on the other side of the bed.



- 4** If you are using this frame for a Full or Queen size bed, attach the center rail to the side rails. Line up the hole at the end of the center rail under the hole in the middle of the side rails. Secure with a screw and thumb nut.



- 5** Slip the end caps over the foot ends of the side rails (opposite the headboard brackets).



