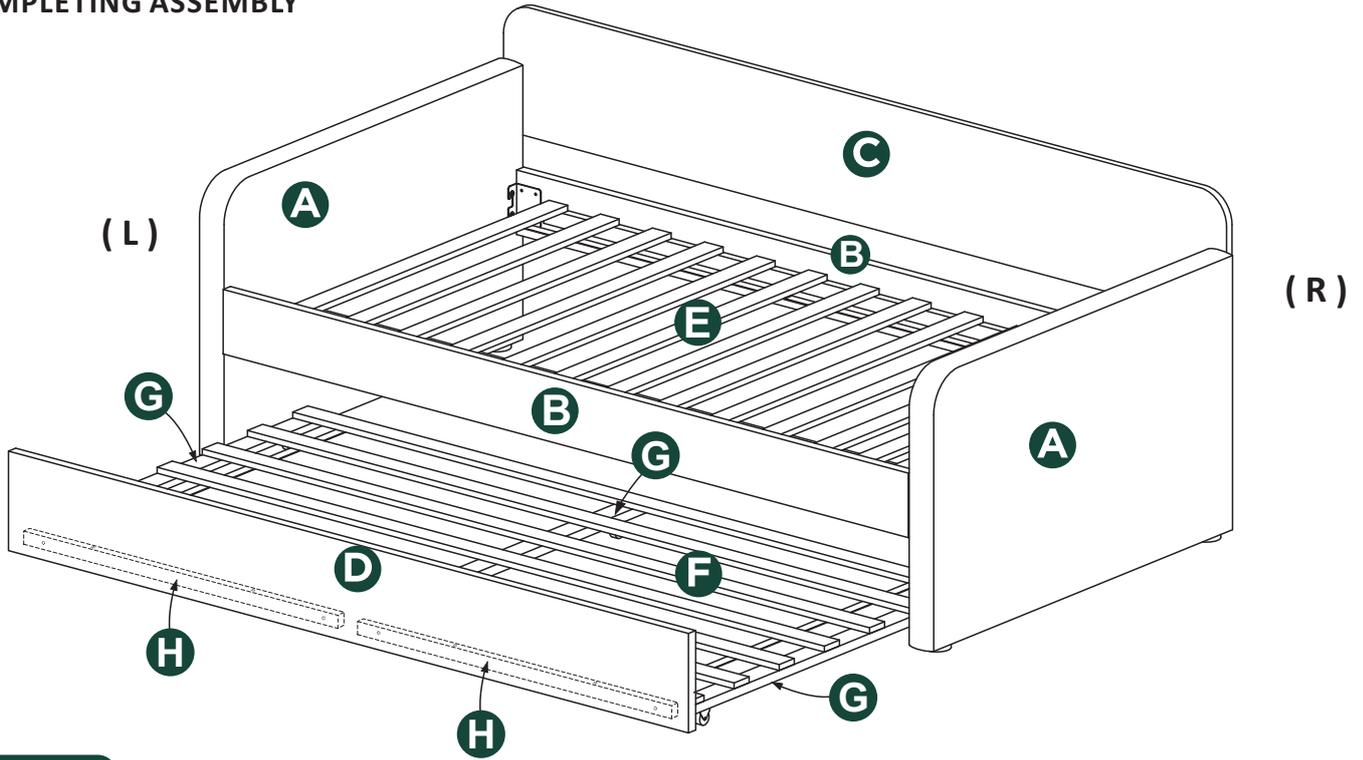


32012 DAYBED

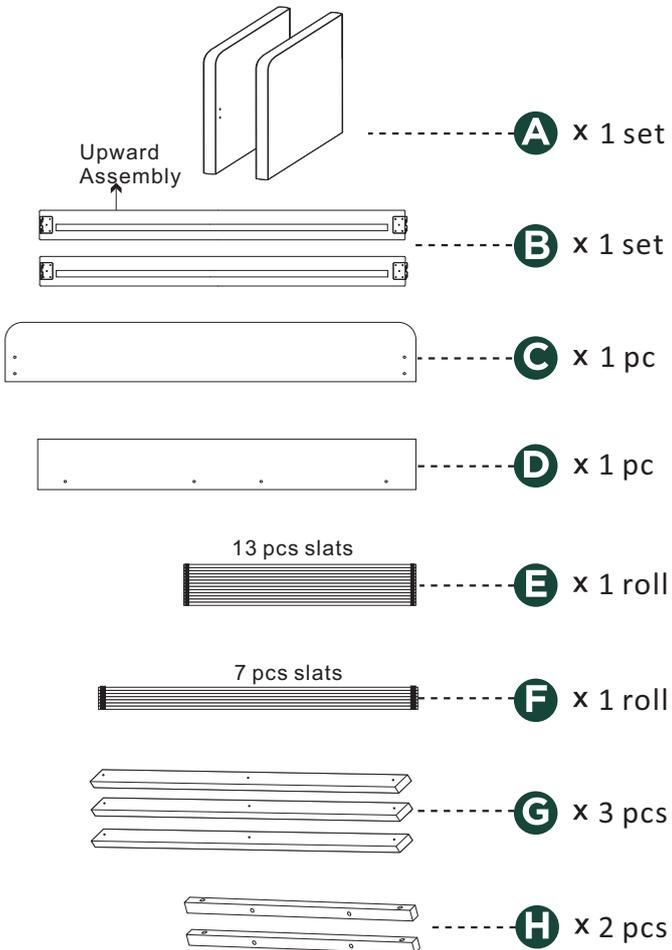
E1190063, E1190070, E1190084
E1190091, E1190105, E1190112

CAUTION:

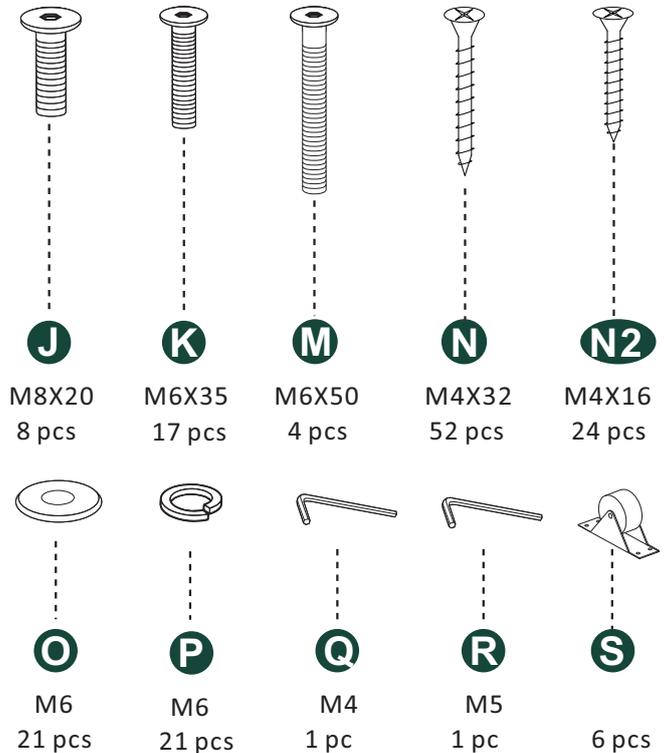
**DO NOT SLIDE BED; PICK BED UP TO
REPOSITION/LOCATE IT UPON
COMPLETING ASSEMBLY**



Components



Hardware



**PHILLIPS SCREWDRIVER
REQUIRED
(NOT INCLUDED)**

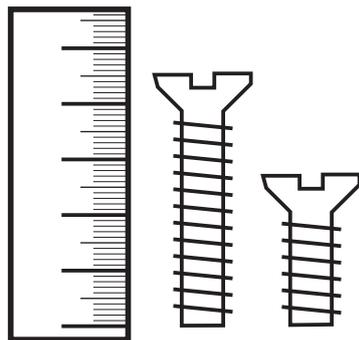
PLEASE CONTACT US FOR RETURNS AND OTHER QUESTIONS

CAUTION:

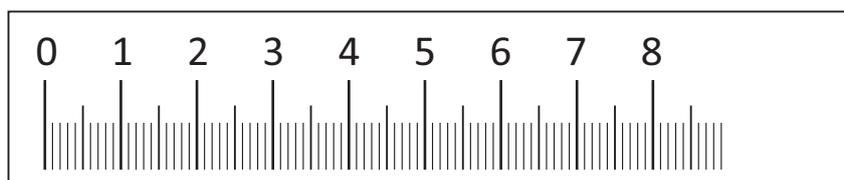
Do not attempt to slide the bed once it is fully assembled. To avoid structural damage while moving your assembled bed, any mattress and bedding should be removed from the bedframe. Then the bedframe should be lifted and carried (not slid) to your desired location.

When placing furniture on non-carpeted flooring, we recommend the use of floor protection such as an area rug or furniture pads. Area rugs and padding not included with purchase.

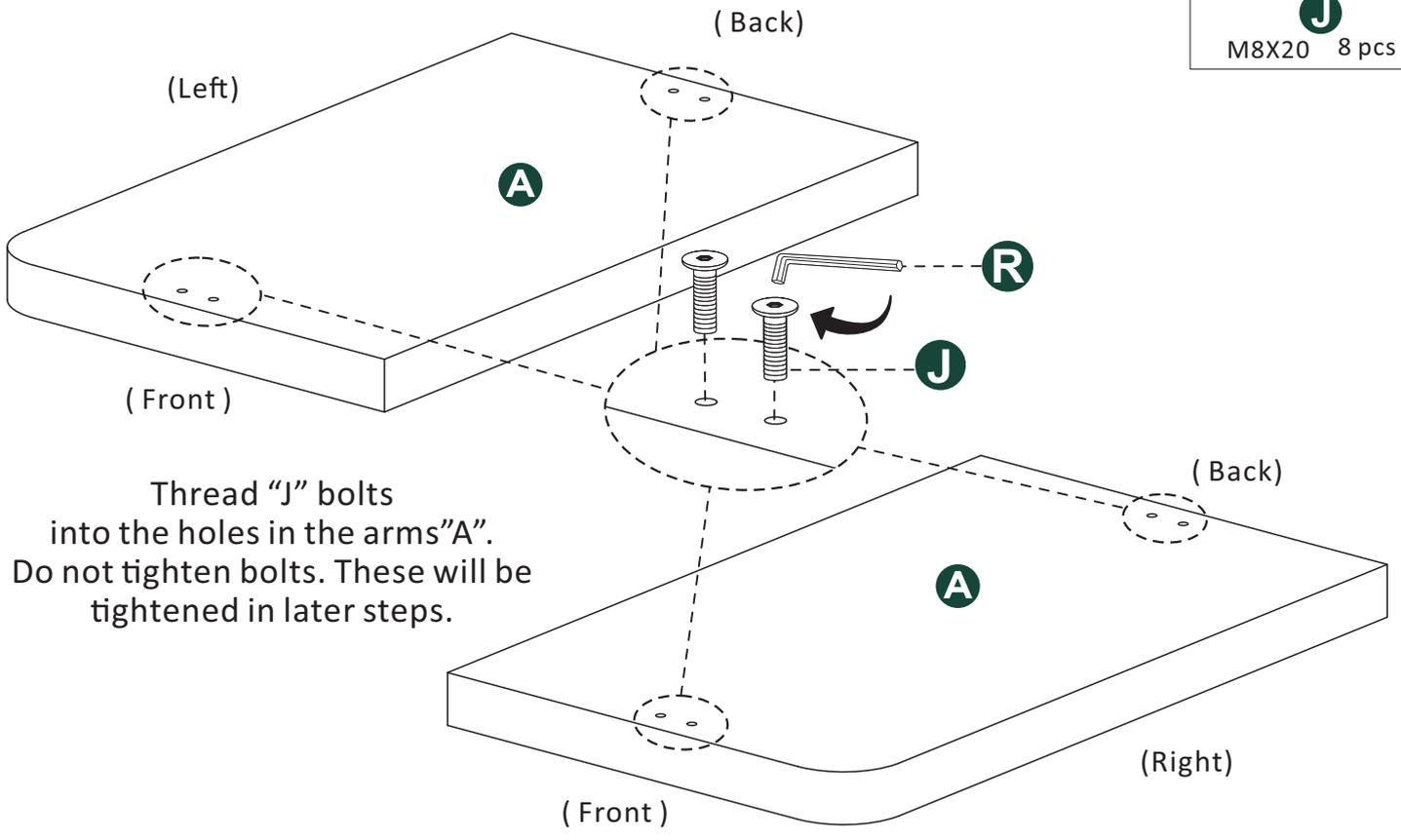
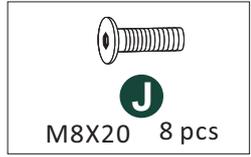
Max Weight Limit 500lbs.



HARDWARE
DIMENSIONS
VERIFICATION TOOL



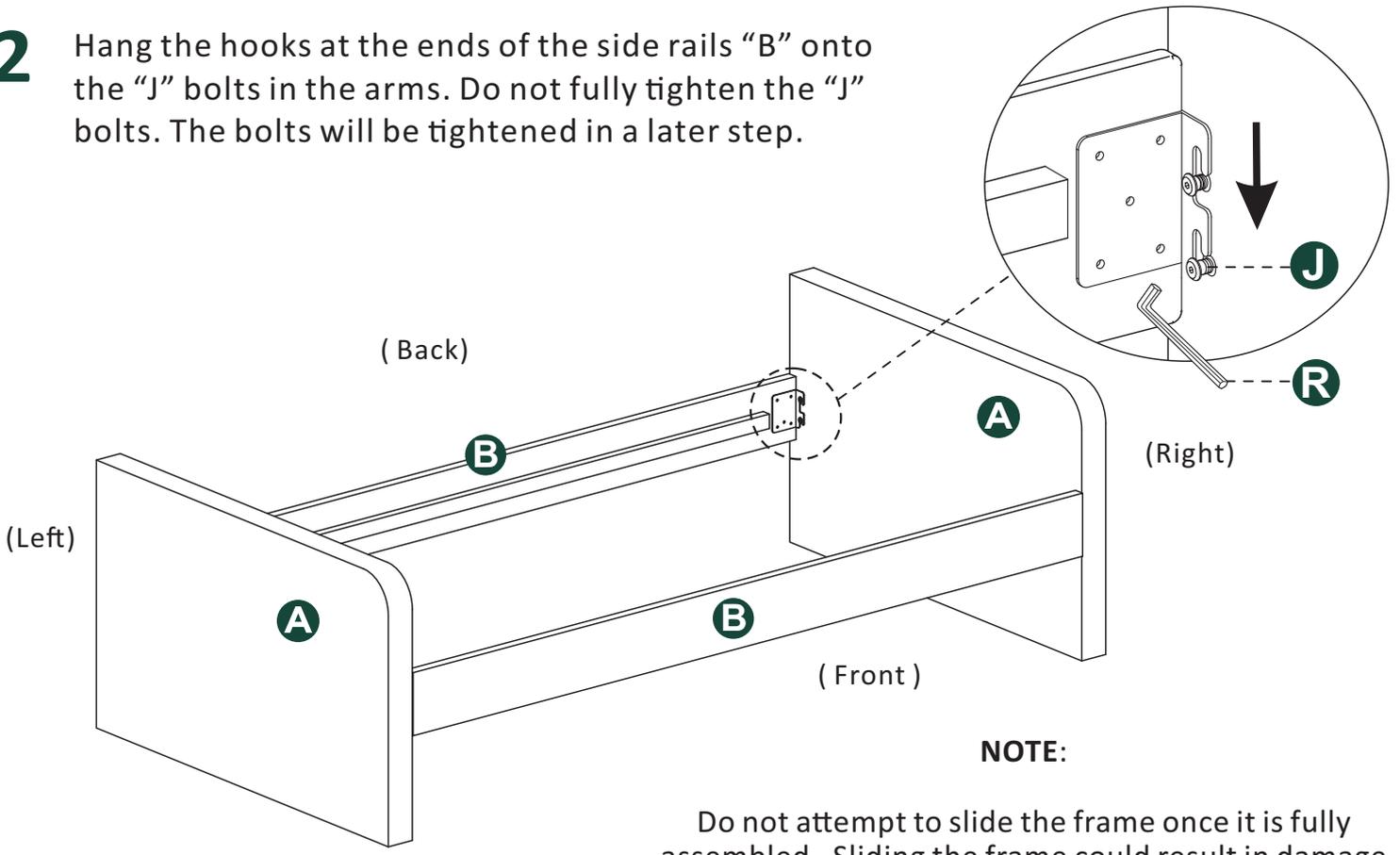
1



Thread "J" bolts into the holes in the arms "A". Do not tighten bolts. These will be tightened in later steps.

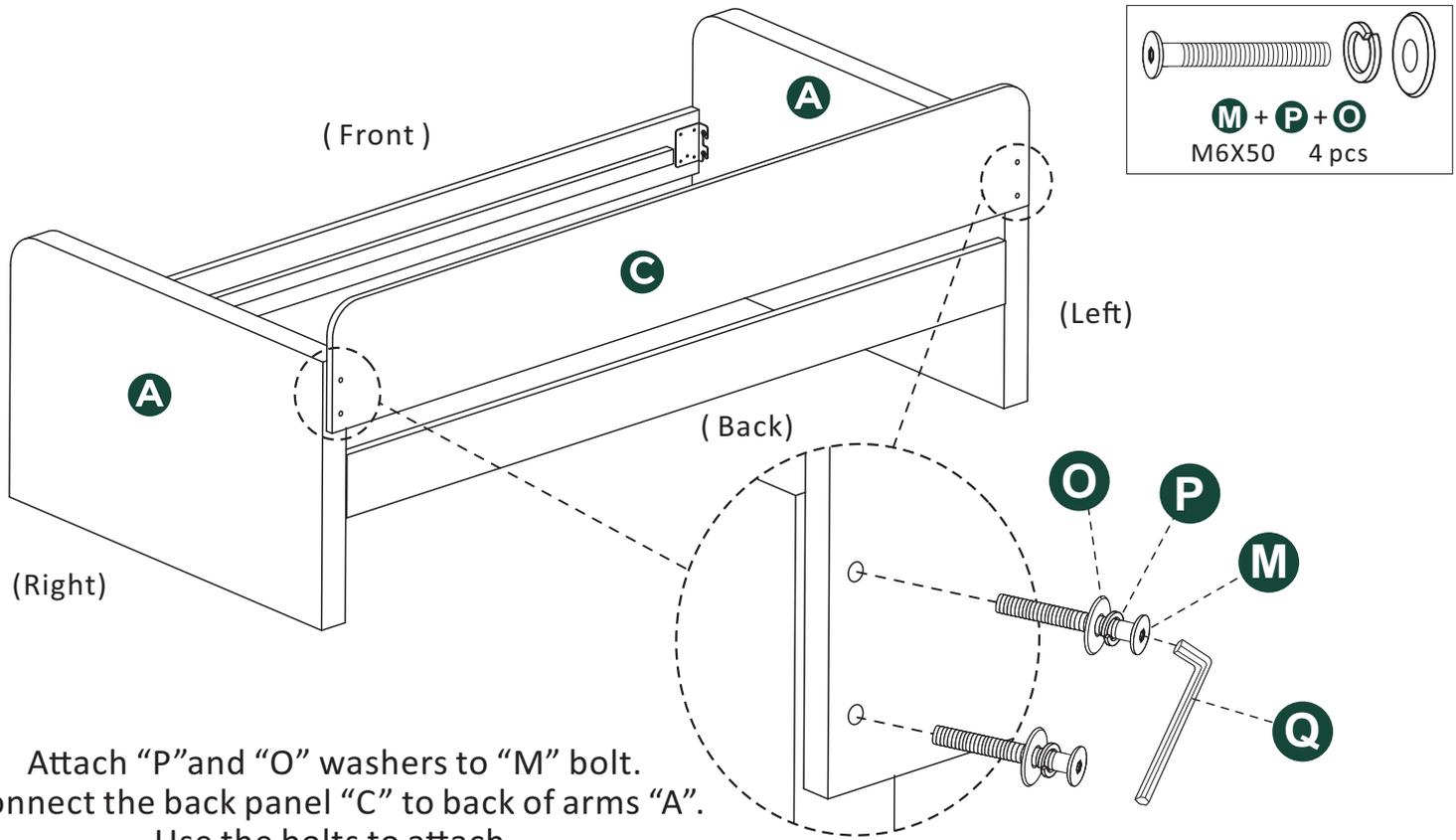
2

Hang the hooks at the ends of the side rails "B" onto the "J" bolts in the arms. Do not fully tighten the "J" bolts. The bolts will be tightened in a later step.



NOTE:

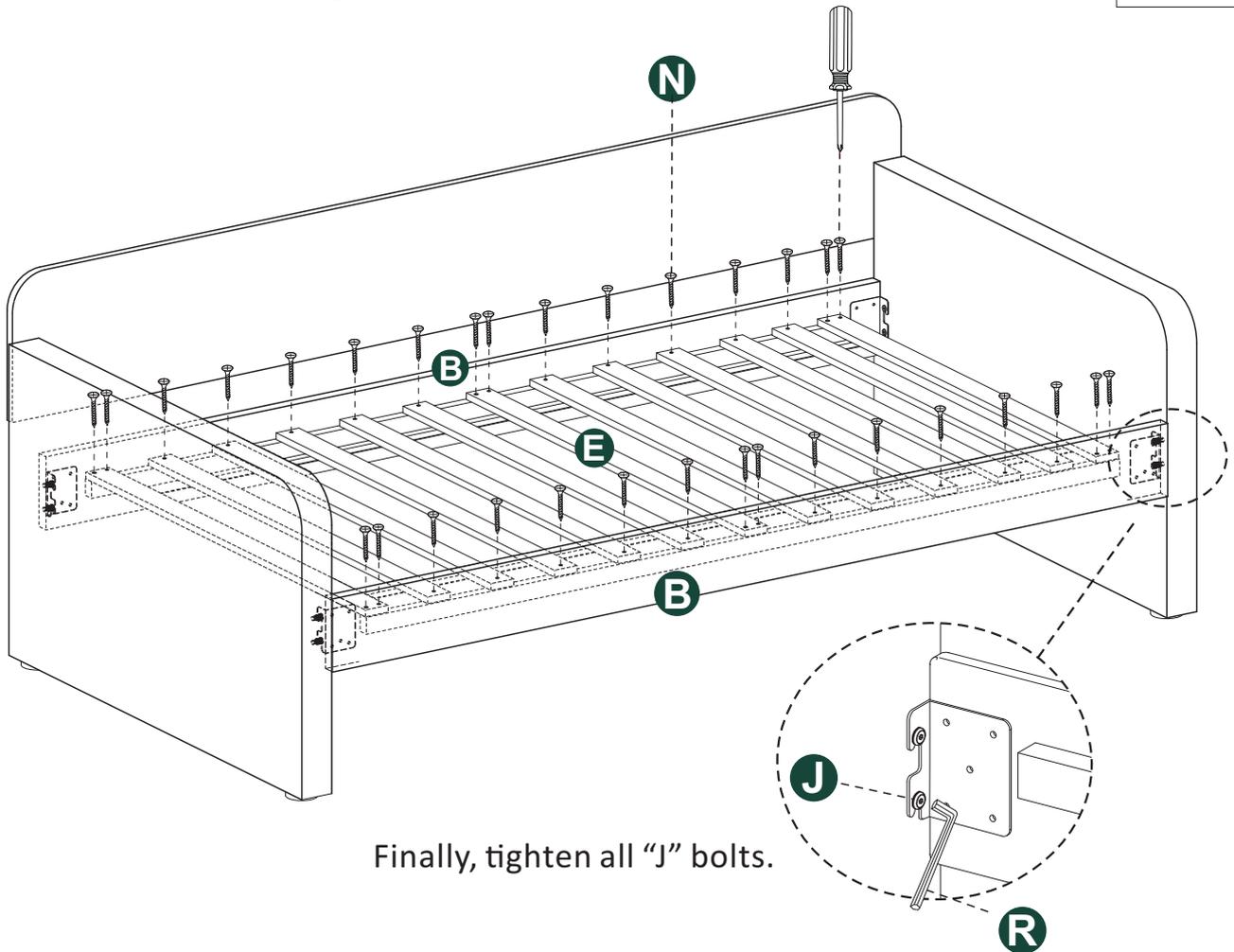
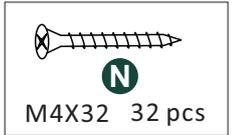
Do not attempt to slide the frame once it is fully assembled. Sliding the frame could result in damage to the rails. Assembled frame should be lifted and carried when being moved. (not slid)

3

Attach "P" and "O" washers to "M" bolt.
Connect the back panel "C" to back of arms "A".
Use the bolts to attach.

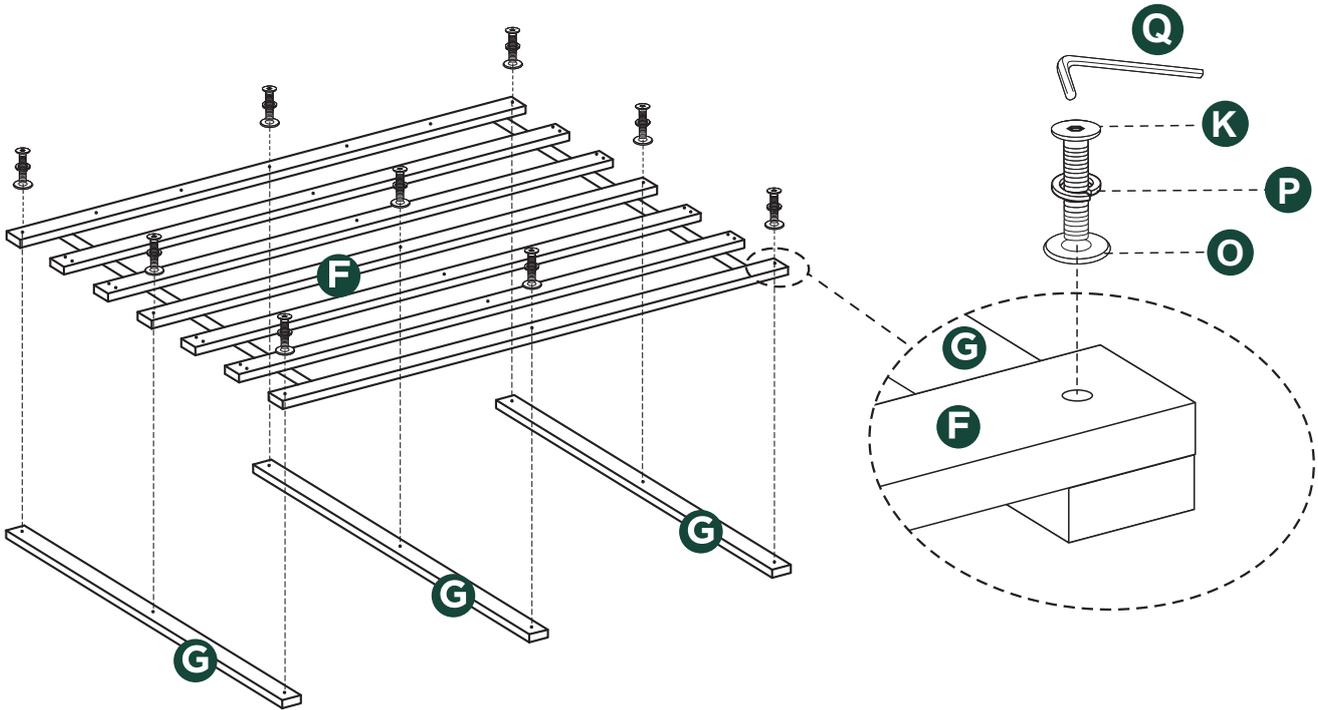
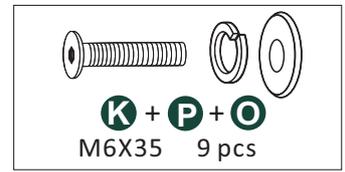
4

Extend the slats "E", place the slats into the frame of the daybed as shown. Use screwdriver to install "N" screws into cleat of side rails "B".



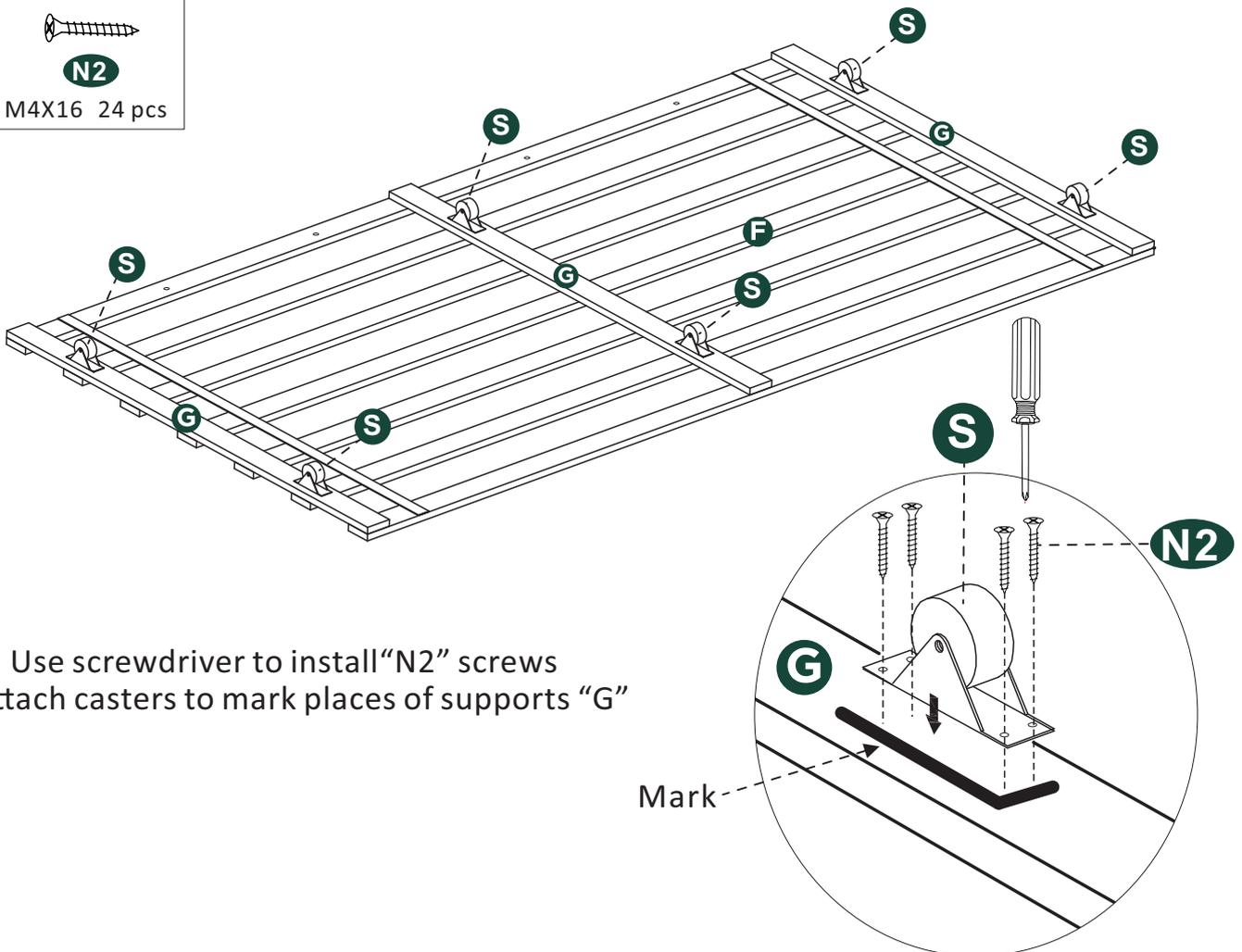
Finally, tighten all "J" bolts.

5 Assemble the trundle slats system by attaching the slats "F" to the supports "G". First, extend the slats. Then, line up the holes in the slats "F" with the holes in the supports "G". Attach "P" and "O" washers to "K" bolt. Use bolts through the holes to connect them together.

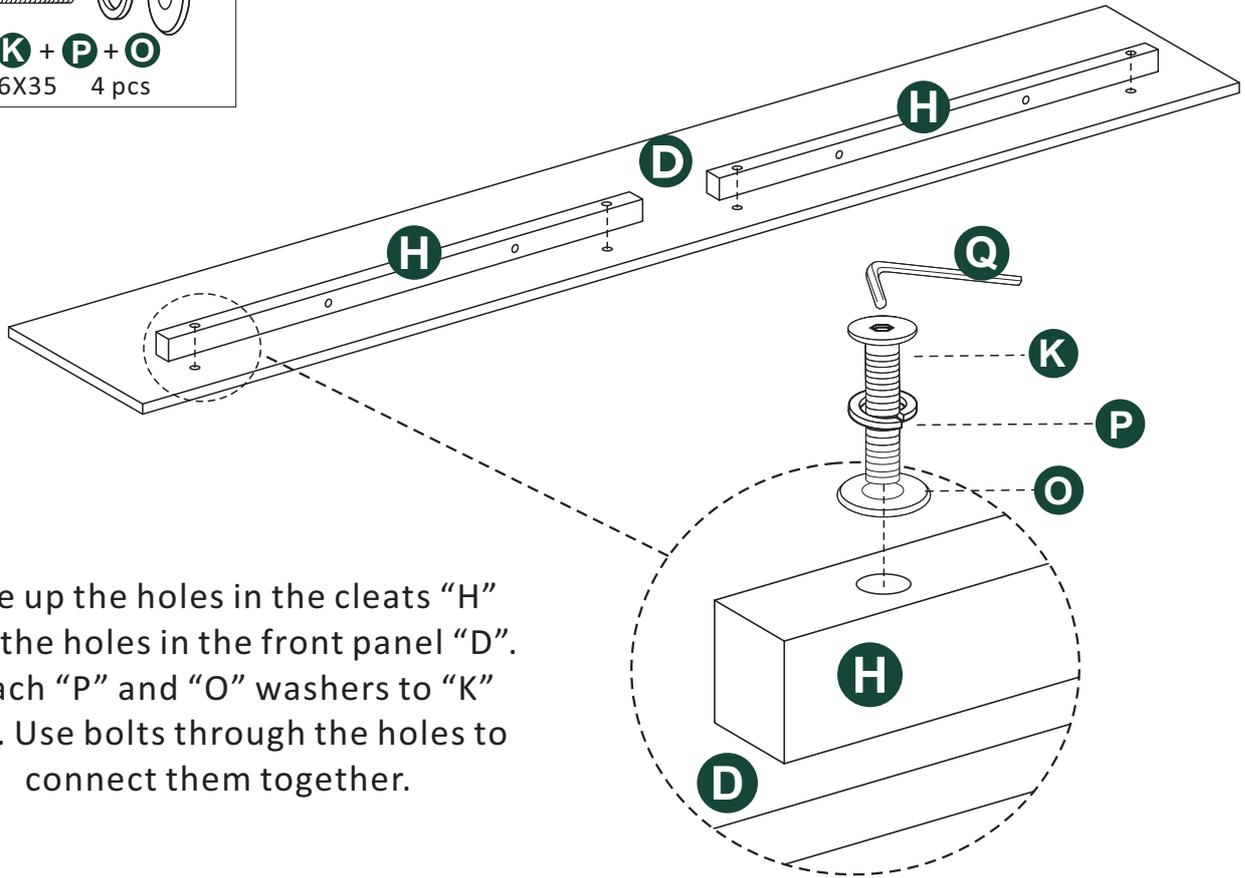
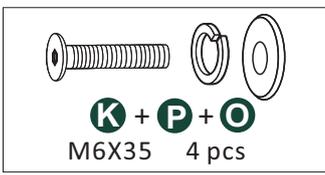


6

N2
M4X16 24 pcs

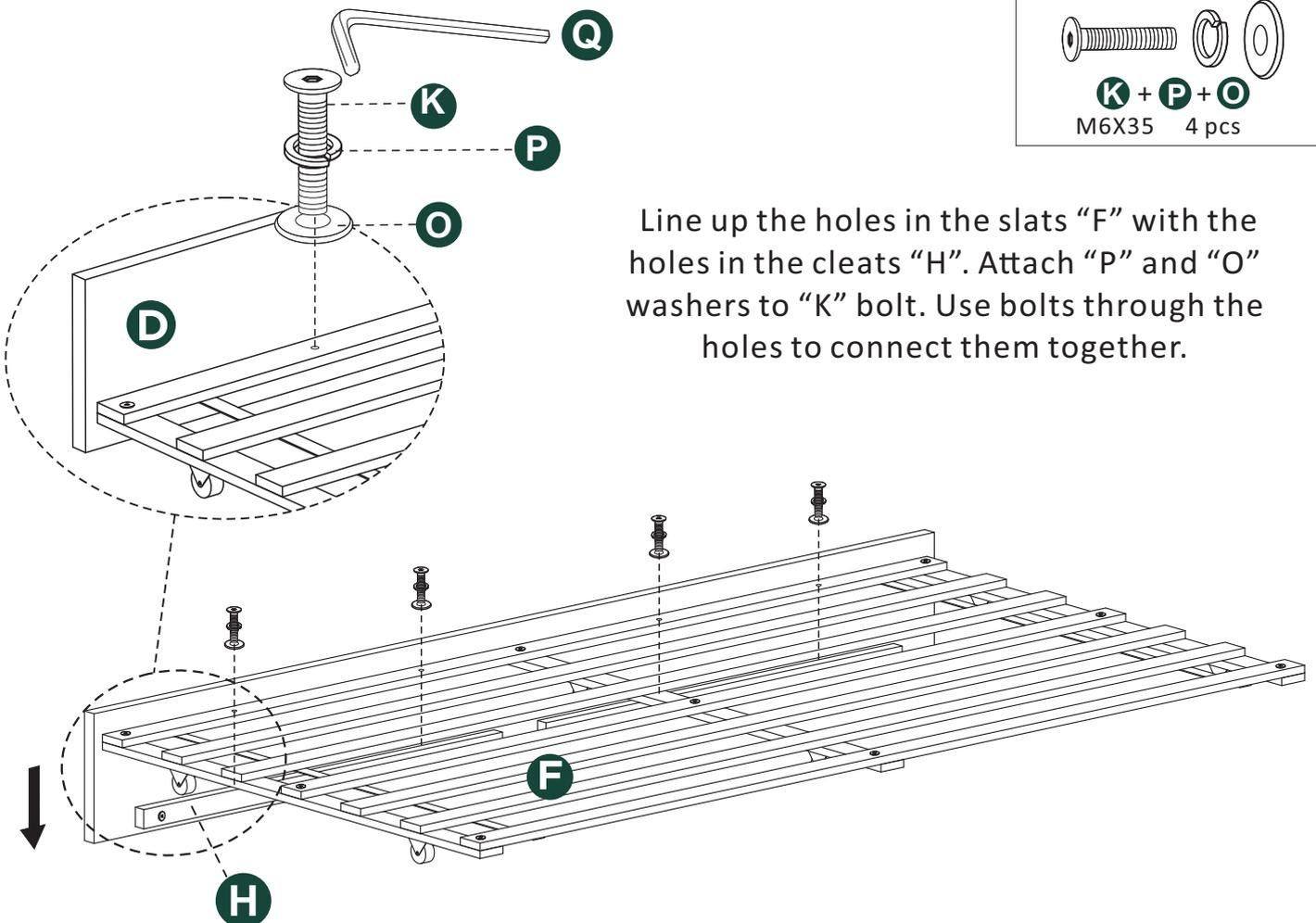
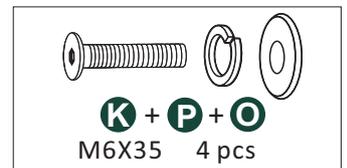


7



Line up the holes in the cleats “H” with the holes in the front panel “D”. Attach “P” and “O” washers to “K” bolt. Use bolts through the holes to connect them together.

8

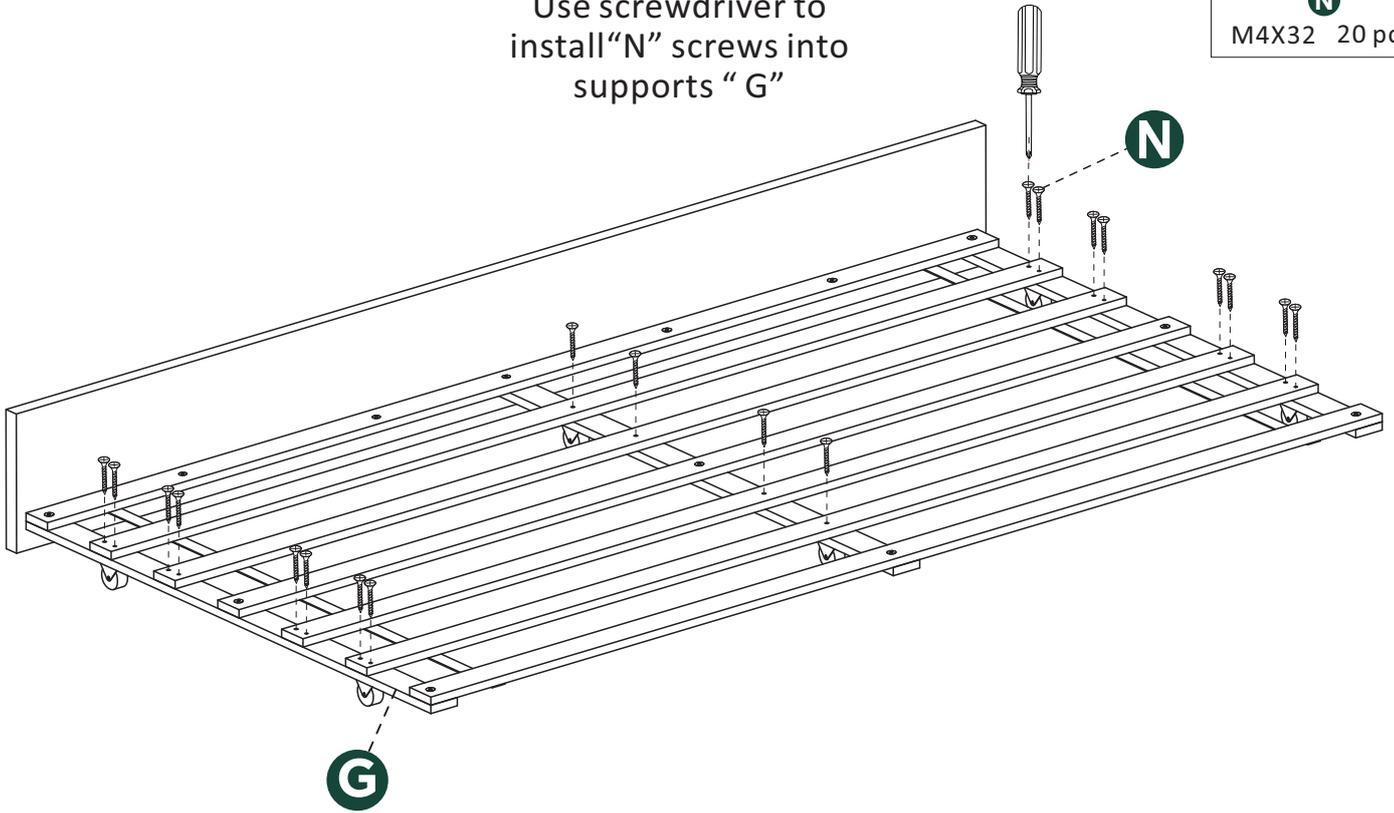


Line up the holes in the slats “F” with the holes in the cleats “H”. Attach “P” and “O” washers to “K” bolt. Use bolts through the holes to connect them together.

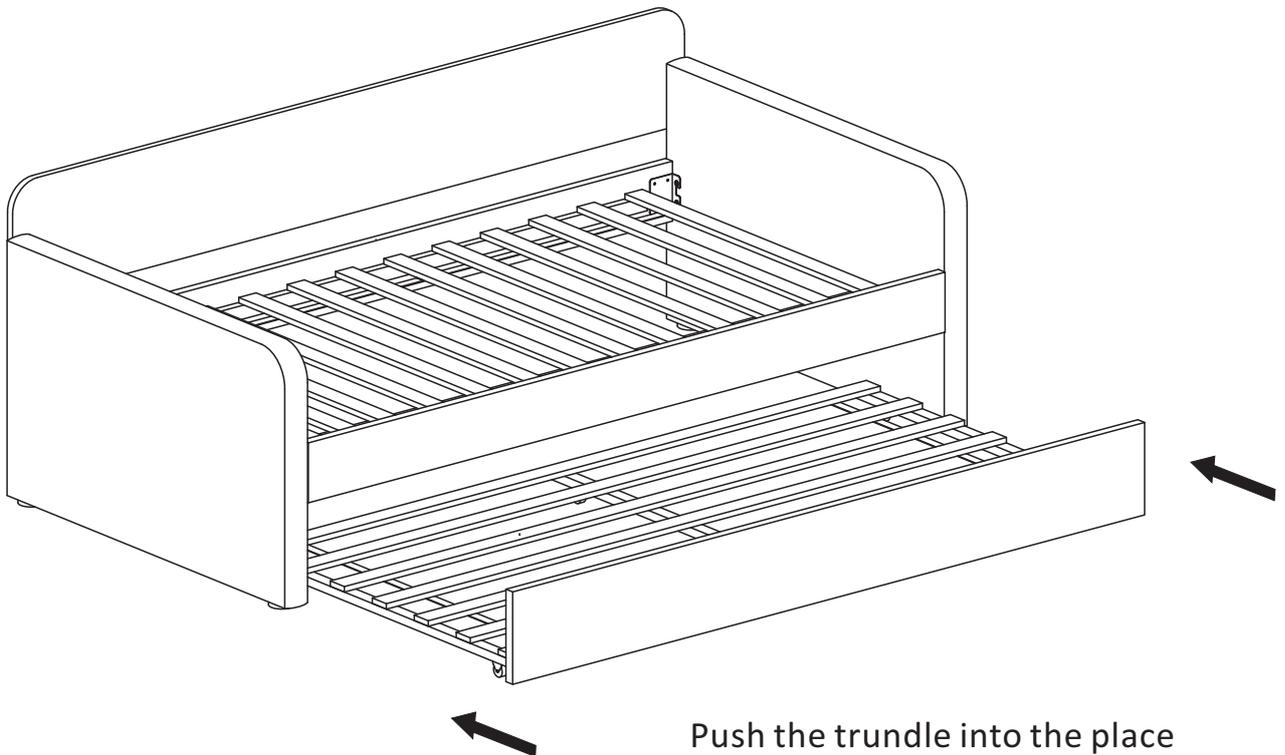
9

Use screwdriver to install "N" screws into supports "G"


N
M4X32 20 pcs



10



Push the trundle into the place
under the daybed

You're all finished!