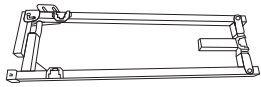
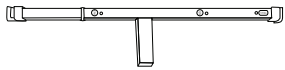


# EZ Bed Frame Assembly

## INCLUDED PARTS



Side Rail  
2 pcs



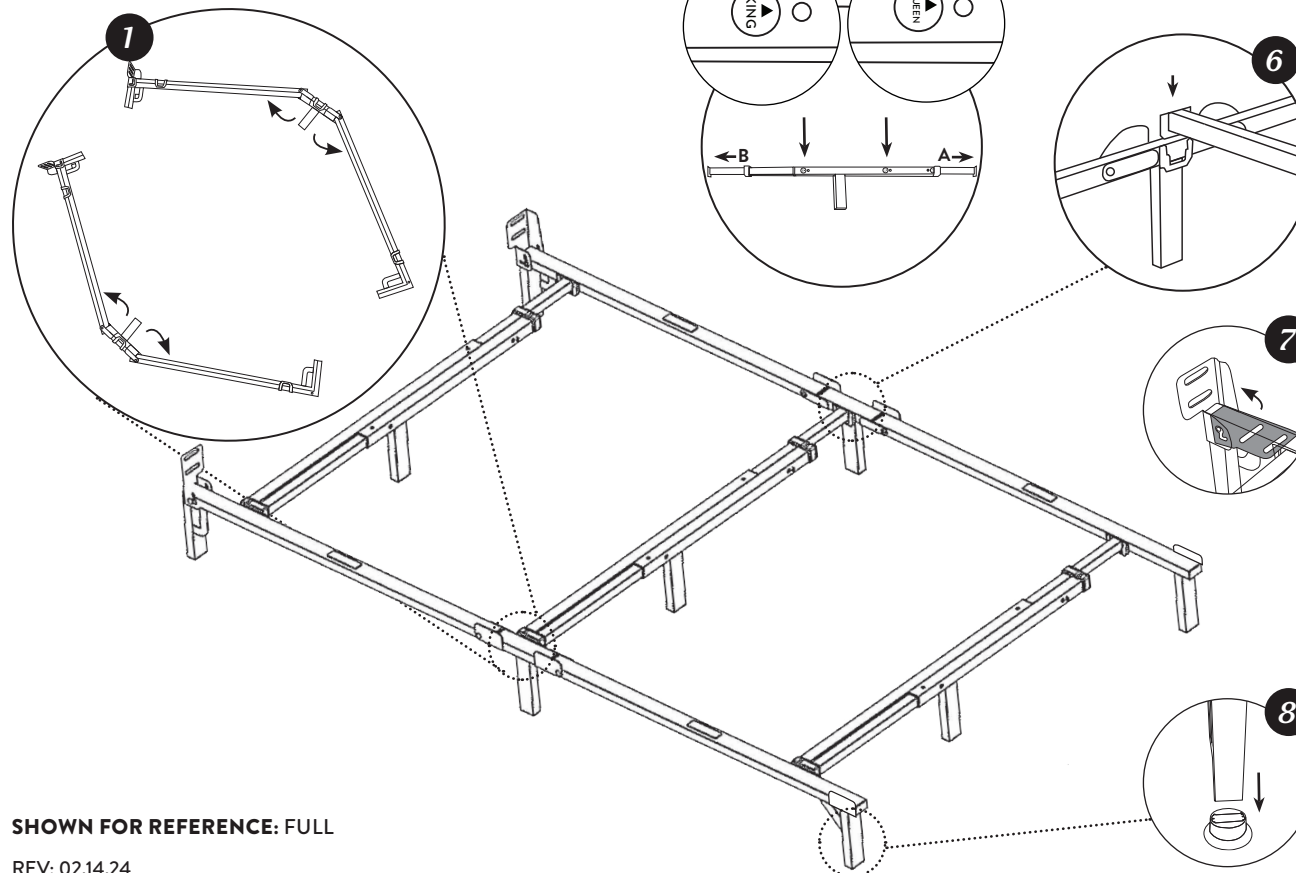
Cross Bar  
3 pcs



Plastic Glide  
9 pcs

Using the chart below, select the desired frame size and adjust Tube A and B accordingly.

SIZE	ACTION NEEDED
Twin	Set Tube A to T/TXL; Set Tube B to T/F
Full	Set Tube A to F/Q/CK/K; Set Tube B to T/F
Queen	Set Tube A to F/Q/CK/K; Set Tube B to Queen
Cal-King	Set Tube A to F/Q/CK/K; Set Tube B to Cal-King
King	Set Tube A to F/Q/CK/K; Set Tube B to King



SHOWN FOR REFERENCE: FULL

REV: 02.14.24

1. Unfold side rails.
2. Using the reference chart, select the size you need on the 3 cross bars.

### FOR TWIN:

3. Without extending the cross bars, you're ready for TWIN / TWIN XL. Continue to Step 6.

### FOR FULL:

4. Press "T/TXL" button and extend Tube A outward, you will adjust to FULL size when button locks to "F/Q/CK/K" position. Continue to Step 6.

### FOR QUEEN, CAL-KING, KING:

5. Keeping "F/Q/CK/K" size button in place, press "T/F" button and extend inner Tube B outward, you will adjust to "QUEEN", "CAL-KING", or "KING" size.
6. Insert the 3 cross bars into the side rails, pushing down until tab is fully seated into bracket.
7. Headboard brackets must be flipped up.
8. Insert glides on all 9 legs.

**NOTE:** The frame must be used with box spring or bunkie board.



31050 Diamond Parkway  
Solon, OH 44139  
(800) 444-8444  
rizehome.com

## *Rize Home EZ Bed Frame Five Year Limited Warranty*

Rize Home, at its option, will repair, replace at no charge, or refund the purchase price of your Rize Home product if it becomes unserviceable within five years of purchase as a result of any defect in material or workmanship. This Five Year Limited Warranty is not transferable and coverage terminates if the original consumer sells or otherwise transfers the product. Proof of purchase is required for warranty claims. Product used in commercial type settings, such as but not limited to dormitories, hotels and rentals are only warranted to the original purchaser against defects in material and workmanship for up to ninety (90) days from the date of purchase. This warranty covers the steel components of the frame. This warranty does NOT cover glides and other miscellaneous parts, nor damage caused by abnormal conditions or use other than as a bedding support product.

### **IF YOU WISH TO MAKE A CLAIM**

In the event of a problem that you think is a defect, please follow the claim process outlined below:

Place warranty claim within 30 days of your notice of the problem via the online Warranty Inquiry Form, found at rizehome.com. Fill in all requested information noted on the form. Be sure to include proof of purchase and documentation (pdfs, pictures, or videos) showing the issue.

If additional information or assistance is needed, please email to [warranty@rizehome.com](mailto:warranty@rizehome.com) or call 855-581-3095.

### **EXCLUSIONS - ADDITIONAL TERMS AND CONDITIONS**

Rize Home excludes coverage for products that are altered, abused, subjected to negligence or accident, or used for a purpose other than intended. This warranty does not cover any reimbursement of labor, shipping costs, nor any product not properly installed.

THIS FIVE YEAR LIMITED WARRANTY REPLACES ALL OTHER WARRANTIES EXPRESSED OR IMPLIED INCLUDING THE IMPLIED WARRANTIES OF MERCHANTABILITY AND FITNESS FOR PURPOSE AND NO ONE IS AUTHORIZED TO ASSUME OR UNDERTAKE FOR RIZE HOME OTHER LIABILITY IN CONNECTION WITH THE SALE OF THE PRODUCT.

In no event shall Rize Home be liable for incidental or consequential damages sustained in connection with the product or its use. Some States do not allow the exclusion or limitation of incidental or consequential damages or the exclusion of implied warranties or the limitation on how long an implied warranty lasts, so the above limitations or exclusions may not apply to you.

### **LEGAL RIGHTS**

This warranty provides you with specific legal rights. You may also have additional rights which may vary from state to state.